

Job Name: 25-4503 TM Retail
Job Location: Somerset, KY
Contractor: Weddle Enterprises, Inc

PC: C. Goff
 TECH: J. Horsley
 Plant: 100



Structure ID: **OCS (12)**
 Spec: Storm
 Type: Outlet Control Structure
 Size: 48"

Rim: 984.5'
 Invert: 980.5'
 Rim to Invert: 4'

Sump: 1.896"
 Floor (Top): 980.342'
 Floor Height: 6"

Floor (Bot): 979.842'
 Overall Height: 4.583'
 Slack: 0.896"

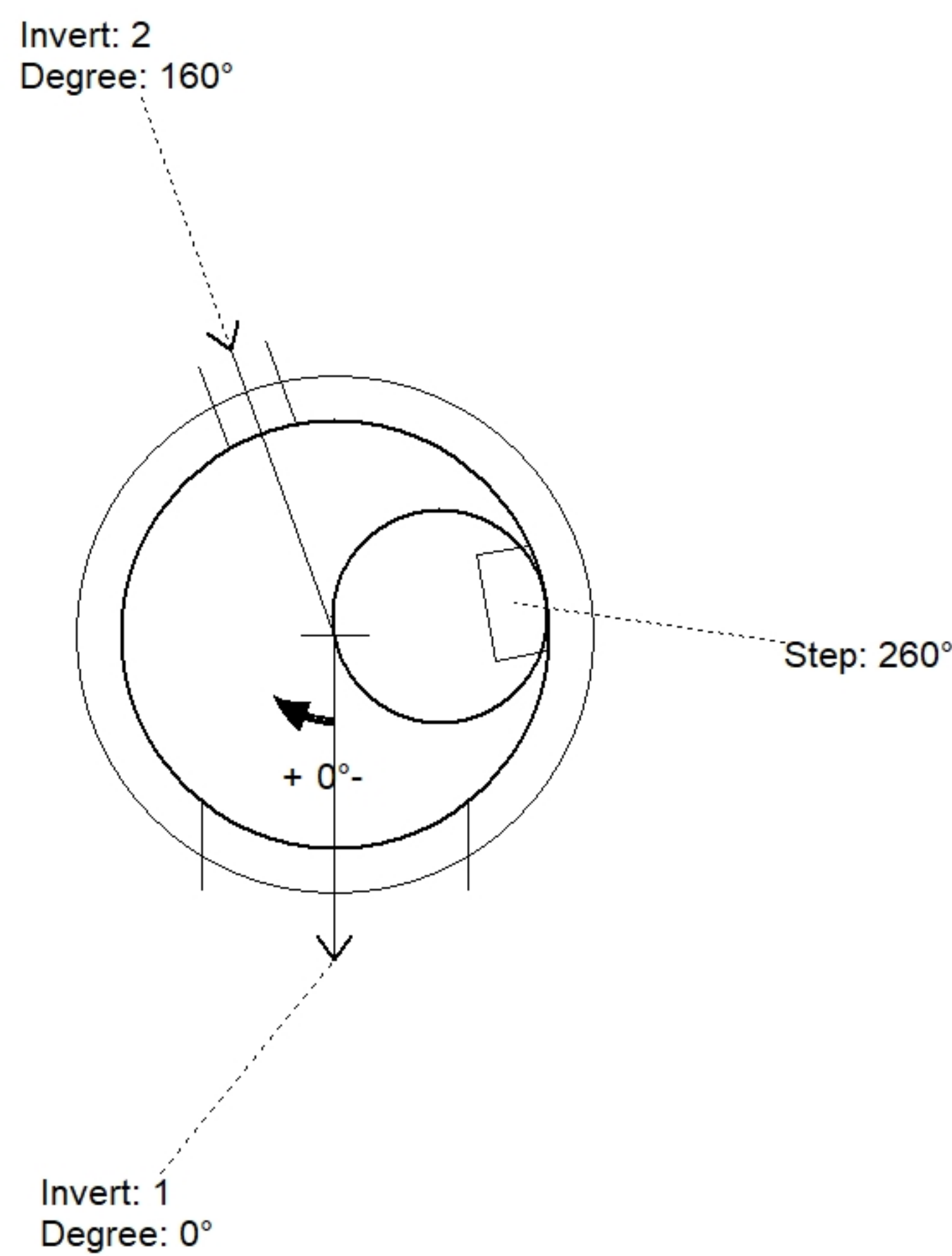
Structure Notes:

1. PER ASTM C478 SPECIFICATIONS.
2. CONCRETE = 4,000 PSI AT 28 DAYS.
3. CASTING BY OTHERS (HOE MCB-350B F/G).

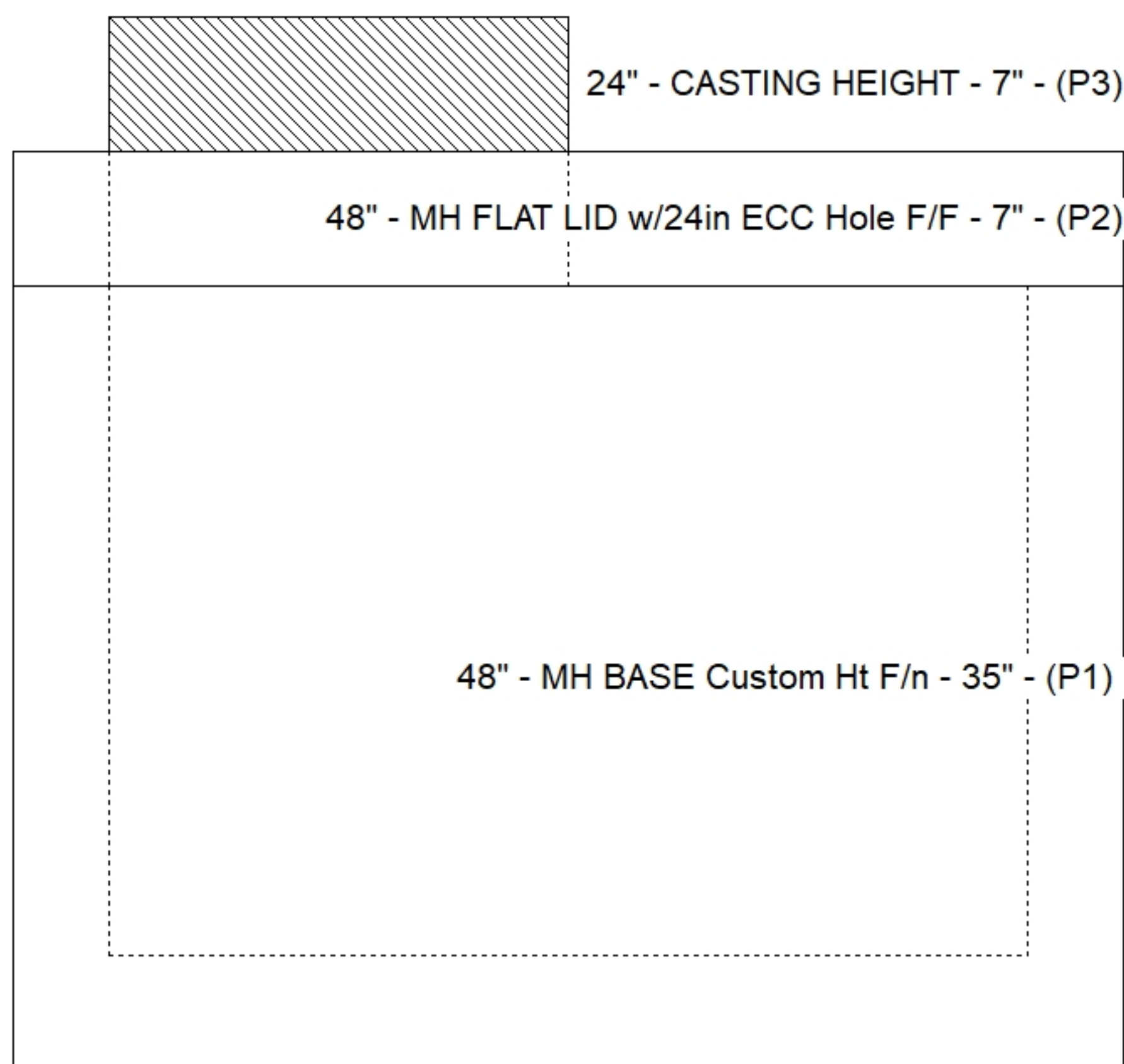
REINFORCING PER ASTM A615 (GRADE 60).
 - RISER/WALLS (As .12)
 - FLOOR (As .31) #5 BARS AT 12" C.C.E.W.

STRUCTURE SUMMARY:

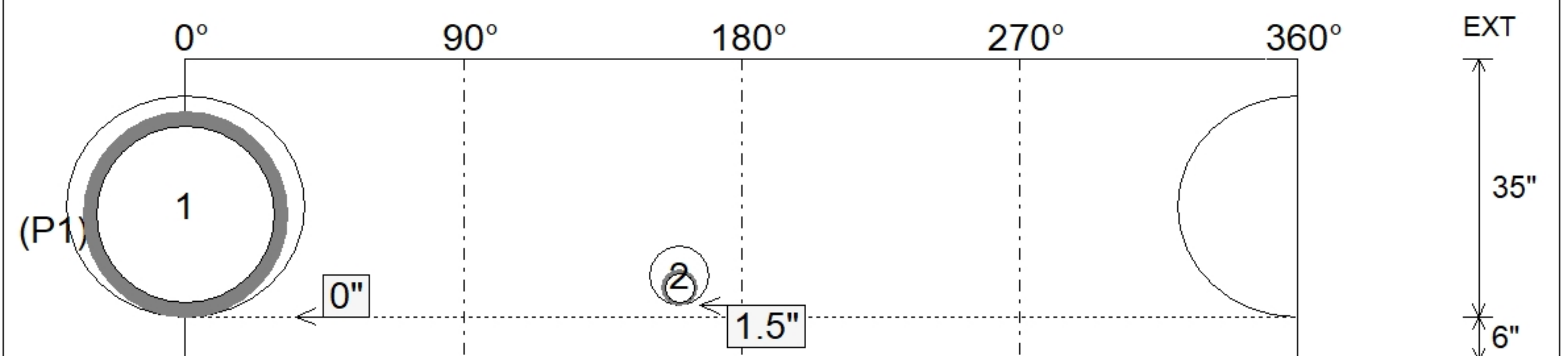
P3) 24" - CASTING HEIGHT - 7"	0 lb
P2) 48" - MH FLAT LID w/24in ECC Hole F/F - 7"	1286 lb
P1) 48" - MH BASE Custom Ht F/n - 35"	3438 lb
1) 48" - DBL 1"x14.5' Butyl (2x)	0 lb
1) Hole - 30	0 lb
1) Hole - 8	0 lb
3) MH Step ML-10-TDS-NCR - 10"	0 lb
Structure Total:	4724 lb



Position	Elev	Angle	Pipe	Pipe OD	Hole	Connector	Up (")	Ref
Rim	984.5'							
Reducer								
Invert 1	980.5'	0°	24" HDPE	27.8"	30"	Hole 30	0"	P1
Invert 2	980.5'	160°	4" HDPE	4.8"	8"	Hole 8	1.5"	P1
Invert 3								
Invert 4								
Invert 5								
Invert 6								
Invert 7								
Invert 8								



Cast (Int. Dim.) - Interior Dimensions



Submittal Drawing
 12/16/2025 2:11:44 PM

SUBMITTAL
 APPROVED BY: