

Structure ID: OCS (12)

P1 MH048BAVF

MH BASE Custom Ht F/n

P3) 24" - CASTING HEIGHT - 7" P2) 48" - MH FLAT LID w/24in ECC Hole F/F - 7" P1) 48" - MH BASE Custom Ht F/n - 35" 1) 48" - DBL 1"x14.5' Butyl (2x) 1) Hole - 30 1) Hole - 8 3) MH Step ML-10-TDS-NCR - 10"	0 lb 1286 lb 3438 lb 0 lb 0 lb 0 lb 0 lb 0 lb ----- 4724 lb	Structure Total: 4724 lb
---	--	--------------------------

Structure Notes:
 1. PER ASTM C478 SPECIFICATIONS.
 2. CONCRETE = 4,000 PSI AT 28 DAYS.
 3. CASTING BY OTHERS (HOE MCB-350B F/G).

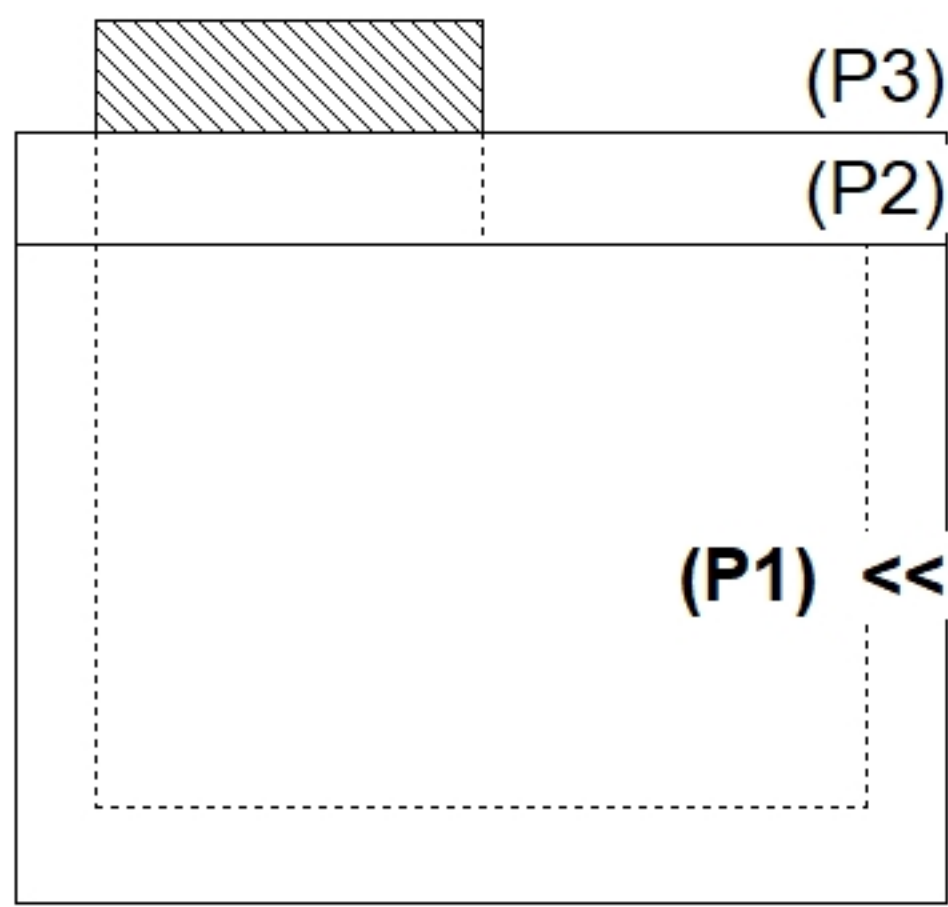
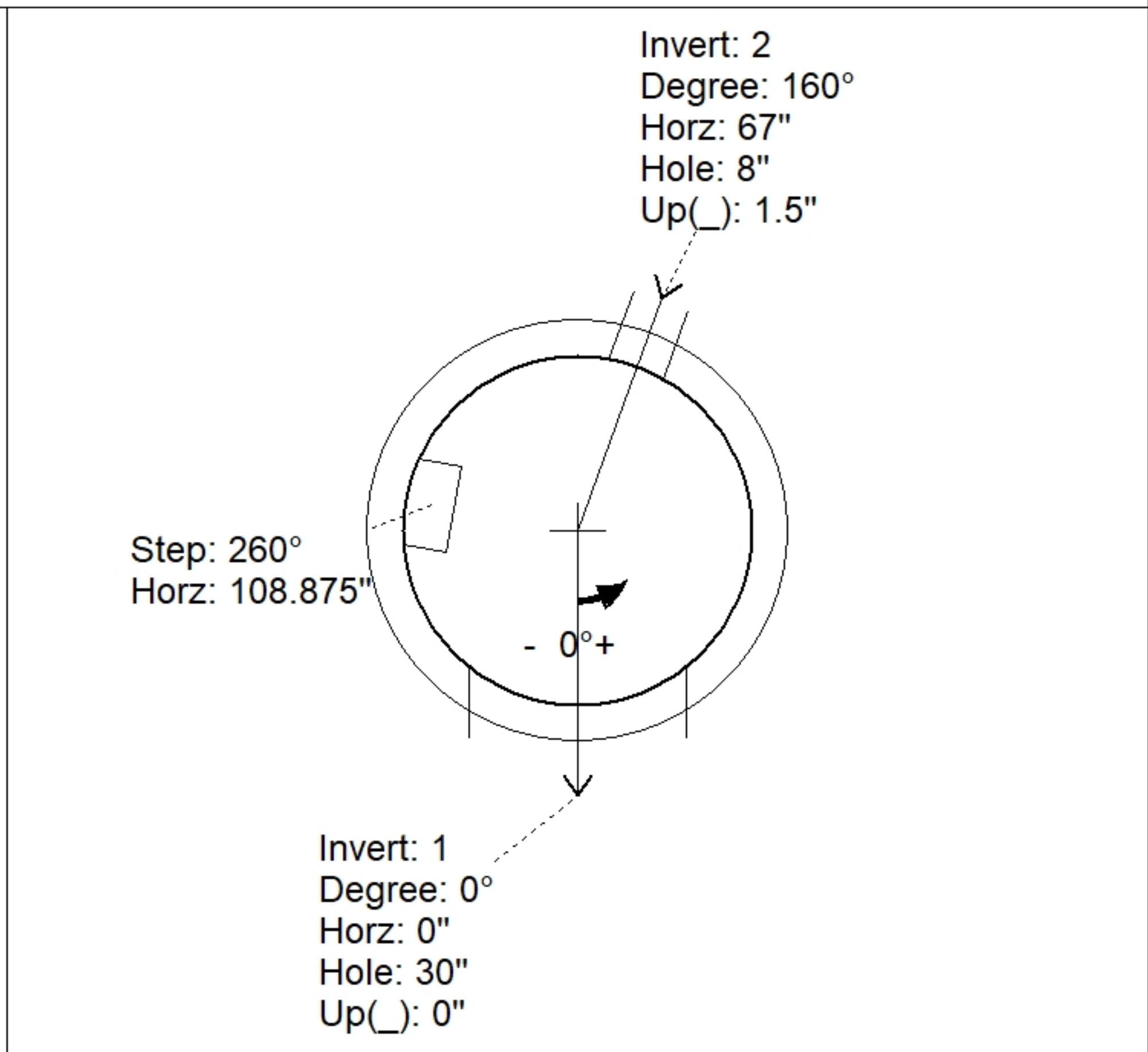
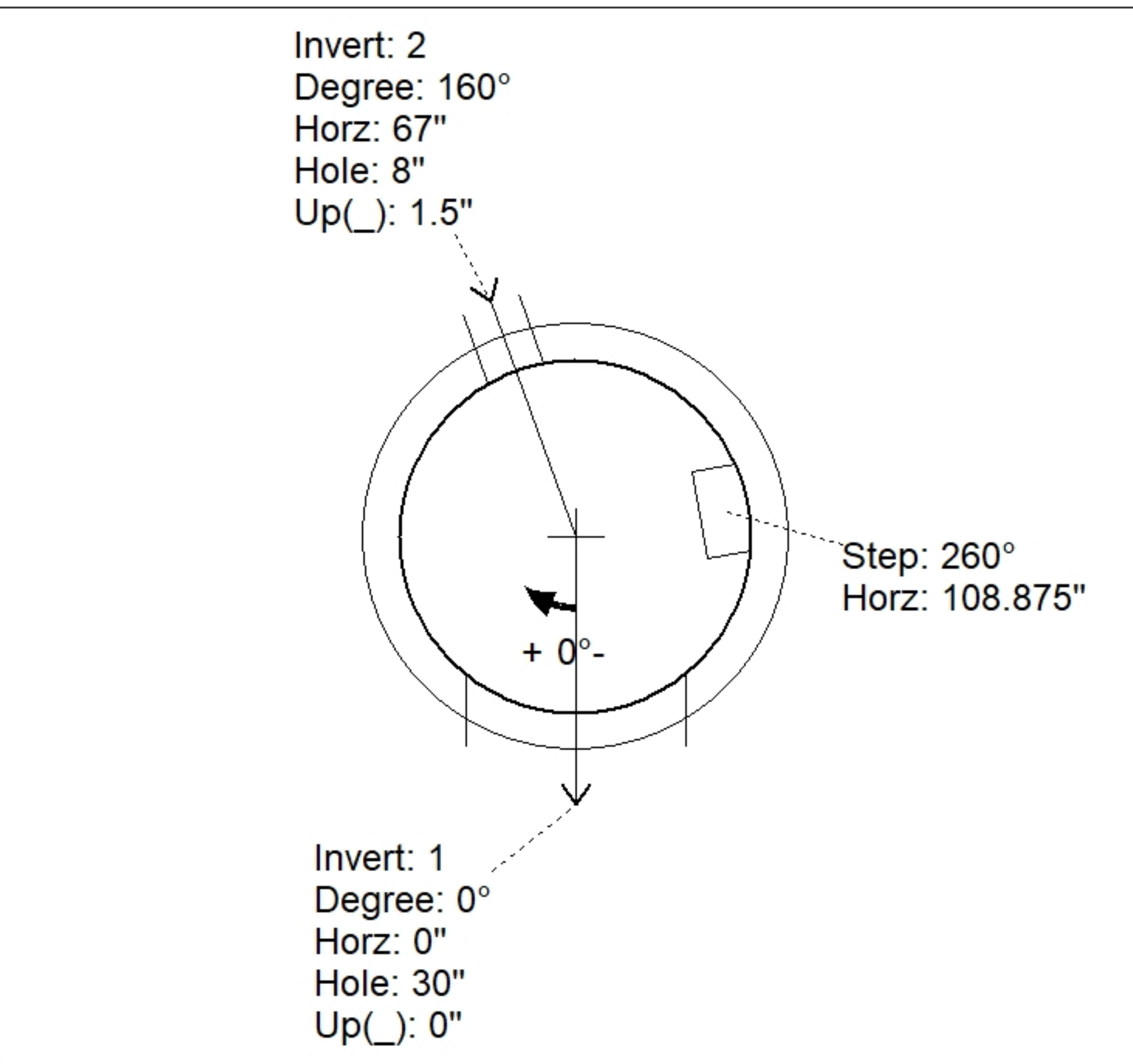
 REINFORCING PER ASTM A615 (GRADE 60).
 - RISER/WALLS (As .12)
 - FLOOR (As .31) #5 BARS AT 12" C.C.E.W.

Rim: 984.5' Rim to Invert: 4' Slack: 0.896" Sump: 1.896" Step Position: 260°

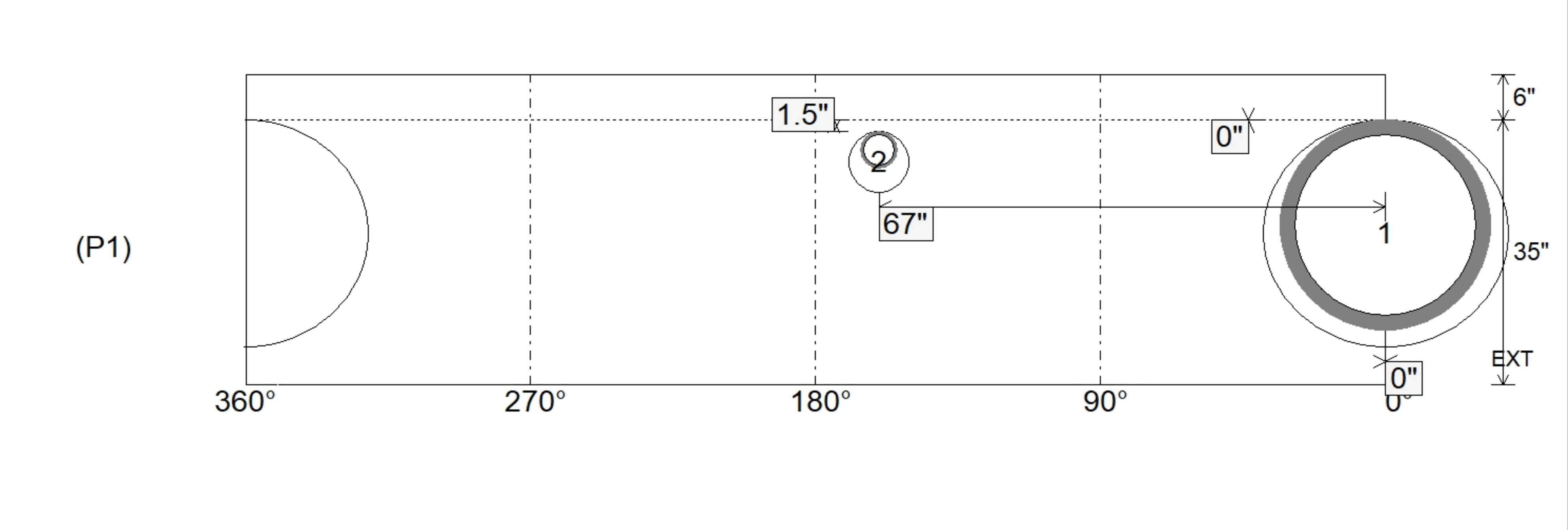
Position	Elev	Angle	Ext. (cw)	Pipe	Pipe OD	Connector	Hole	Horz Size	Up ()	Offset
Invert 1	980.5'	0°	0"	24" HDPE	27.8"	Hole 30	30"	32.406"	0"	0"
Invert 2	980.5'	160°	81"	4" HDPE	4.8"	Hole 8	8"	8.038"	1.5"	0"
Invert 3										
Invert 4										
Invert 5										
Invert 6										
Invert 7										
Invert 8										

RIGHT-SIDE UP VIEW (int. dimensions)

UPSIDE-DOWN VIEW (int. dimensions)



INSIDE WALL DIMENSIONS



Coating (Int): Coating (Ext):	Seam Up: Flat Seam Dn: n/a	Wall Thickness: 5" Floor Height: 6"	Height (Int): 35" Height (Ext): 41"	Weight (Net): 3438 lb Volume (Net): 0.88cu.yd
----------------------------------	-------------------------------	--	--	--