

**Job Name: 25-4503 TM Retail**  
**Job Location: Somerset, KY**  
**Contractor: Weddle Enterprises, Inc**

PC: C. Goff  
 TECH: J. Horsley  
 Plant: 100



Structure ID: DI 9 (10)

Spec: Storm  
 Type: STM.MH (Recessed pipe)  
 Size: 48"

Rim: 1000.5'  
 Invert: 996.4'  
 Rim to Invert: 4.1'

Sump: 0"  
 Floor (Top): 996.4'  
 Floor Height: 6"

Floor (Bot): 995.9'  
 Overall Height: 4.542'  
 Slack: 0.7"

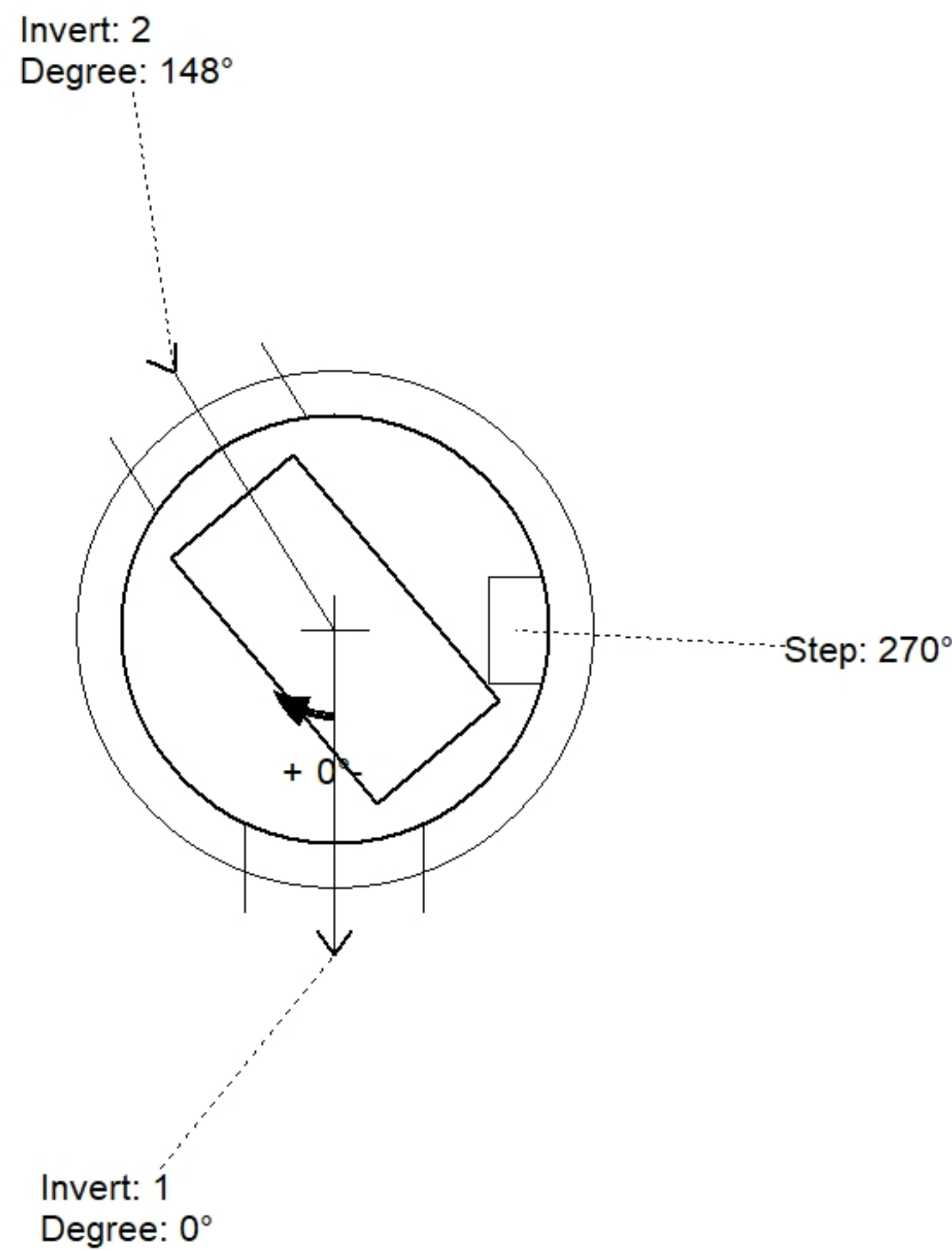
Structure Notes:

1. PER ASTM C478 SPECIFICATIONS.
2. CONCRETE = 4,000 PSI AT 28 DAYS.
3. CASTING BY OTHERS (HOE 580 F/G).

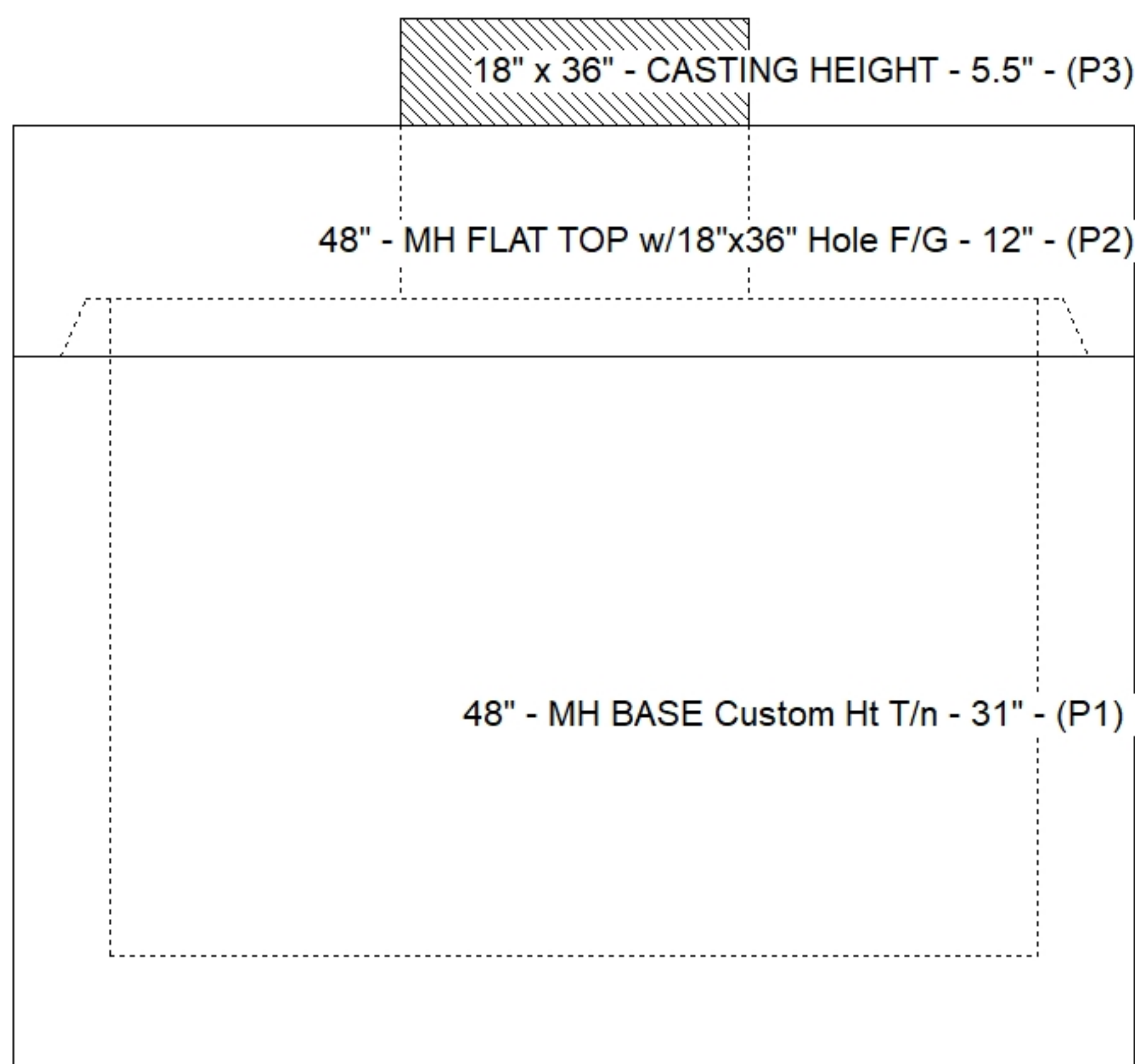
REINFORCING PER ASTM A615 (GRADE 60).  
 - TOP SLAB = H2O LOADING.  
 - RISER/WALLS (As .12)  
 - FLOOR (As .31) #5 BARS AT 12" C.C.E.W.

STRUCTURE SUMMARY:

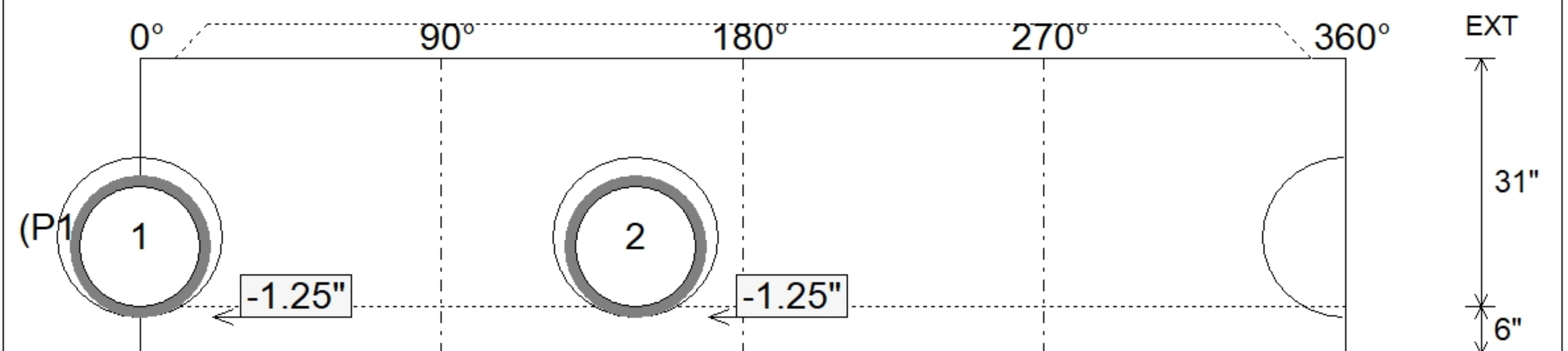
P3) 18" x 36" - CASTING HEIGHT - 5.5"	0 lb
P2) 48" - MH FLAT TOP w/18"x36" Hole F/G - 12"	2008 lb
P1) 48" - MH BASE Custom Ht T/n - 31"	3225 lb
1) 48" - SGL 1"x14.5' Butyl (2x)	0 lb
2) Hole - 20	0 lb
3) MH Step ML-10-TDS-NCR - 10"	0 lb
<b>Structure Total:</b>	<b>5233 lb</b>



Position	Elev	Angle	Pipe	Pipe OD	Hole	Connector	Up ( )	Ref
Rim	1000.5'							
Reducer								
Invert 1	996.4'	0°	15" HDPE	17.6"	20"	Hole 20	-1.25"	P1
Invert 2	996.4'	148°	15" HDPE	17.6"	20"	Hole 20	-1.25"	P1
Invert 3								
Invert 4								
Invert 5								
Invert 6								
Invert 7								
Invert 8								



**Cast (Int. Dim.) - Interior Dimensions**



Submittal Drawing  
 12/16/2025 2:11:41 PM

SUBMITTAL  
 APPROVED BY: