

Job Name: 25-4503 TM Retail  
 Job Location: Somerset, KY  
 Contractor: Weddle Enterprises, Inc

Plant: 100  
 12/16/2025 2:13:13 PM

Tech: J. Horsley  
 PC: C. Goff



**Structure ID: DI 8 (9)**

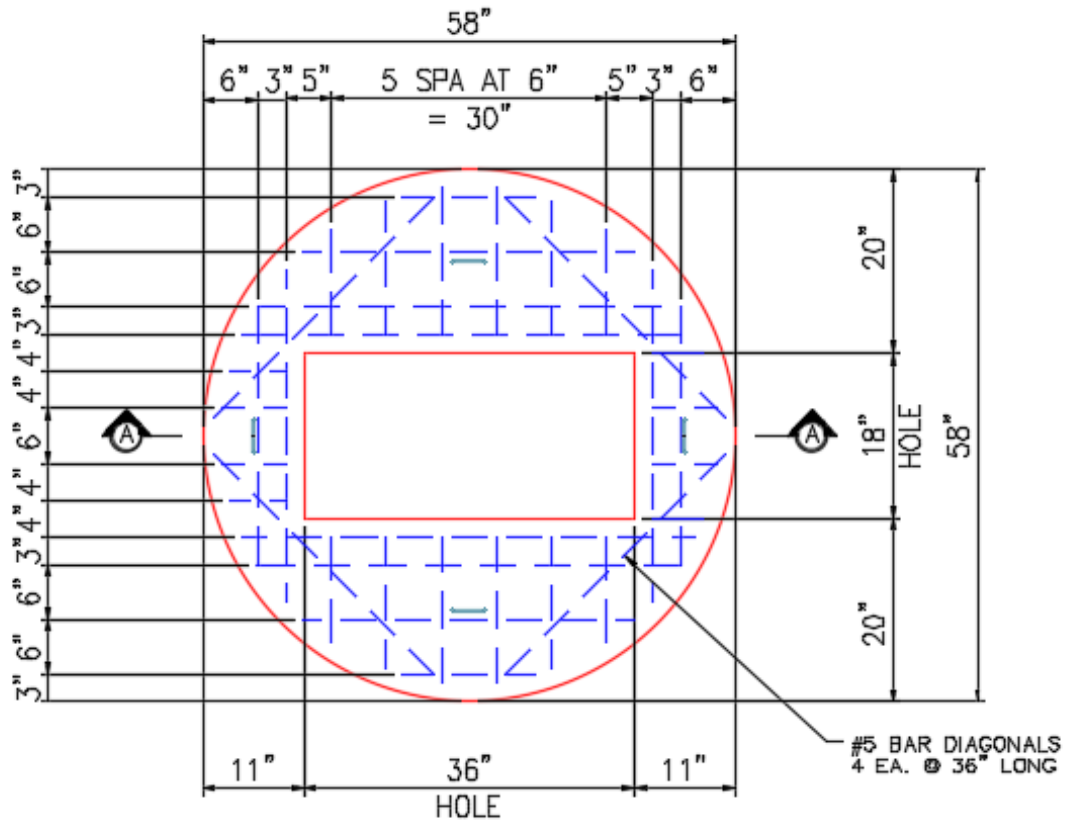
**P2 MH048LD12-18x36 RECT**

**MH FLAT TOP w/18"x36" Hole F/G**

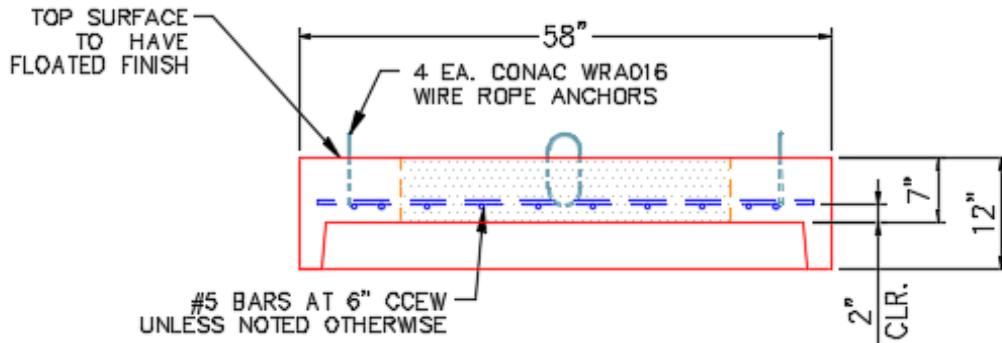
- P3) 18" x 36" - CASTING HEIGHT - 5.5"
- P2) 48" - MH FLAT TOP w/18"x36" Hole F/G - 12"
- P1) 48" - MH BASE Custom Ht T/n - 35"
- 1) 48" - SGL 1"x14.5' Butyl (2x)
- 2) Hole - 20
- 3) MH Step ML-10-TDS-NCR - 10"

0 lb  
 2008 lb  
 3505 lb  
 0 lb  
 0 lb  
 0 lb  
 0 lb  
 -----  
 Structure Total: 5513 lb

**Structure Notes:**  
 1. PER ASTM C478 SPECIFICATIONS.  
 2. CONCRETE = 4,000 PSI AT 28 DAYS.  
 3. CASTING BY OTHERS (HOE 580 F/G).  
  
 REINFORCING PER ASTM A615 (GRADE 60).  
 - TOP SLAB = H20 LOADING.  
 - RISER/WALLS (As .12)  
 - FLOOR (As .31) #5 BARS AT 12" C.C.E.W.



**PLAN VIEW**



**SECTION A-A**

Coating (Int):  
 Coating (Ext):

Seam Up: Flat  
 Seam Dn: Groove

Wall Thickness: 5"

Height (Ext): 12"

Weight (Net): 2008 lb  
 Volume (Net): 0.51cu.yd