

Job Name: 25-4503 TM Retail
 Job Location: Somerset, KY
 Contractor: Weddle Enterprises, Inc

Plant: 100

12/16/2025 2:13:14 PM

Tech: J. Horsley

PC: C. Goff



Structure ID: DI 6 (7)

P2 MH048LD07-18x36RECT

MH FLAT TOP w/18"x36" Hole F/F

- P3) 18" x 36" - CASTING HEIGHT - 5.5"
- P2) 48" - MH FLAT TOP w/18"x36" Hole F/F - 7"
- P1) 48" - MH BASE Custom Ht F/n - 29"
- 1) 48" - SGL 1"x14.5' Butyl (2x)
- 1) Hole - 20

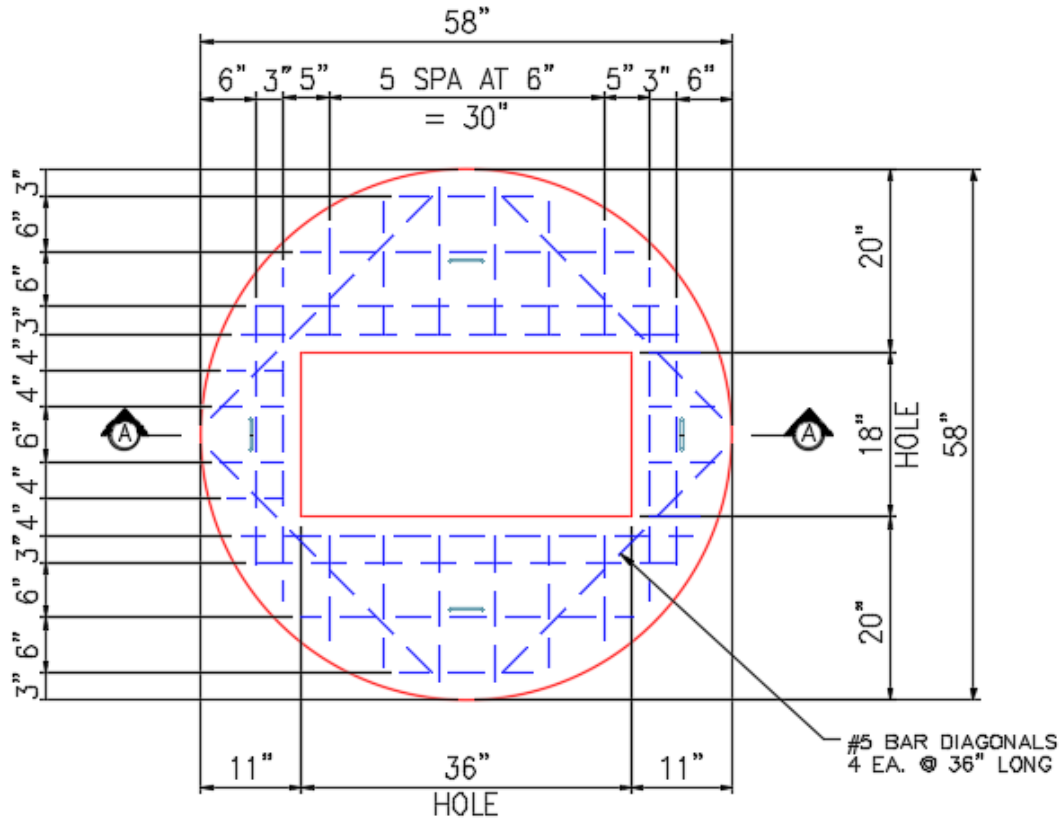
0 lb
 1171 lb
 3221 lb
 0 lb
 0 lb
 0 lb

Structure Total: 4392 lb

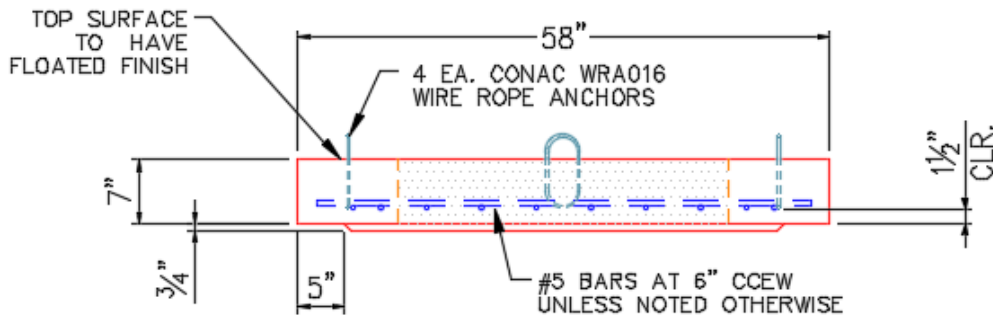
Structure Notes:

1. PER ASTM C478 SPECIFICATIONS.
2. CONCRETE = 4,000 PSI AT 28 DAYS.
3. CASTING BY OTHERS (HOE 580 F/G).

- REINFORCING PER ASTM A615 (GRADE 60).
- TOP SLAB = H20 LOADING.
 - RISER/WALLS (As .12)
 - FLOOR (As .31) #5 BARS AT 12" C.C.E.W.



PLAN VIEW



SECTION A-A

Coating (Int):
 Coating (Ext):

Seam Up: Flat
 Seam Dn: Flat

Wall Thickness: 5"

Height (Ext): 7"

Weight (Net): 1171 lb
 Volume (Net): 0.3cu.yd