

Structure ID: DI 3 (4)

P1 MH048BAVF

MH BASE Custom Ht T/n

P3) 18" x 36" - CASTING HEIGHT - 5.5" P2) 48" - MH FLAT TOP w/18"x36" Hole F/G - 12" P1) 48" - MH BASE Custom Ht T/n - 28" 1) 48" - SGL 1"x14.5' Butyl (2x) 2) Hole - 20 2) MH Step ML-10-TDS-NCR - 10"	0 lb 2008 lb 3016 lb 0 lb 0 lb 0 lb ----- Structure Total: 5024 lb
--	---

Structure Notes:

1. PER ASTM C478 SPECIFICATIONS.
2. CONCRETE = 4,000 PSI AT 28 DAYS.
3. CASTING BY OTHERS (HOE 580 F/G).

REINFORCING PER ASTM A615 (GRADE 60).

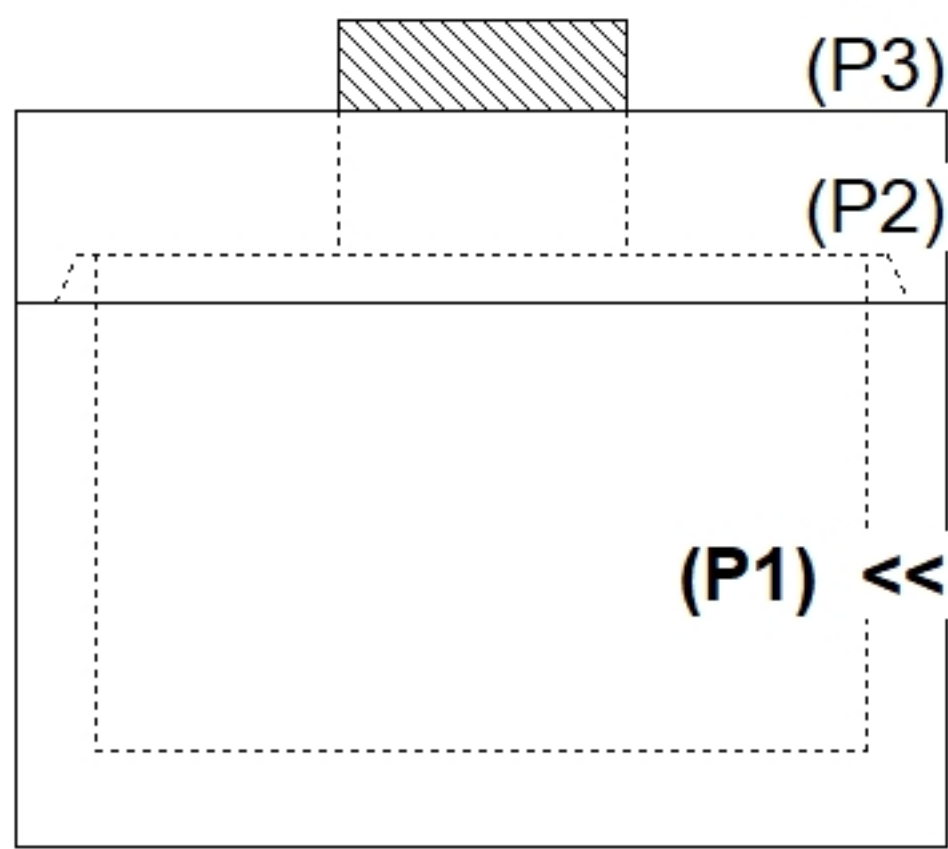
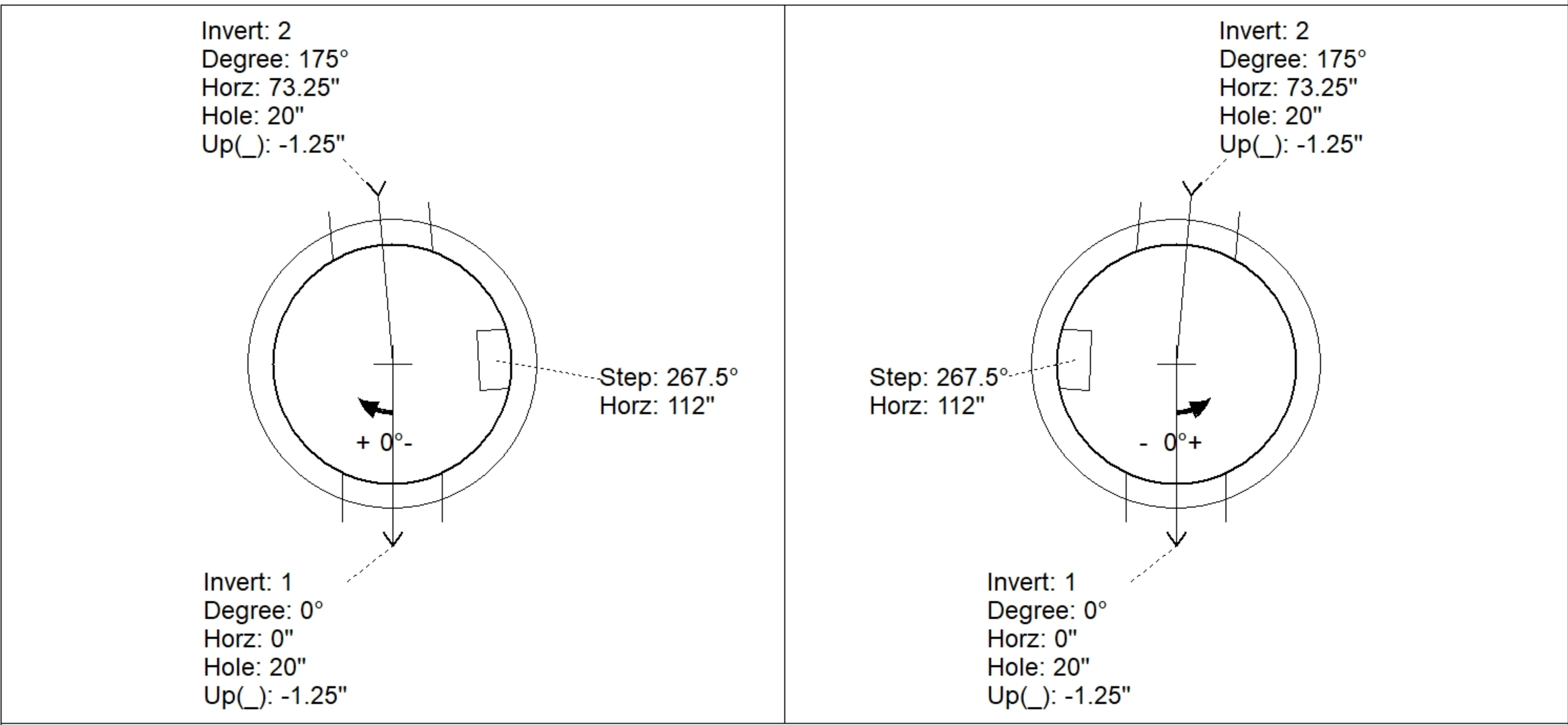
- TOP SLAB = H20 LOADING.
- RISER/WALLS (As .12)
- FLOOR (As .31) #5 BARS AT 12" C.C.E.W.

Rim: 1000.25' Rim to Invert: 3.85' Slack: 0.7" Sump: 0" Step Position: 267.5°

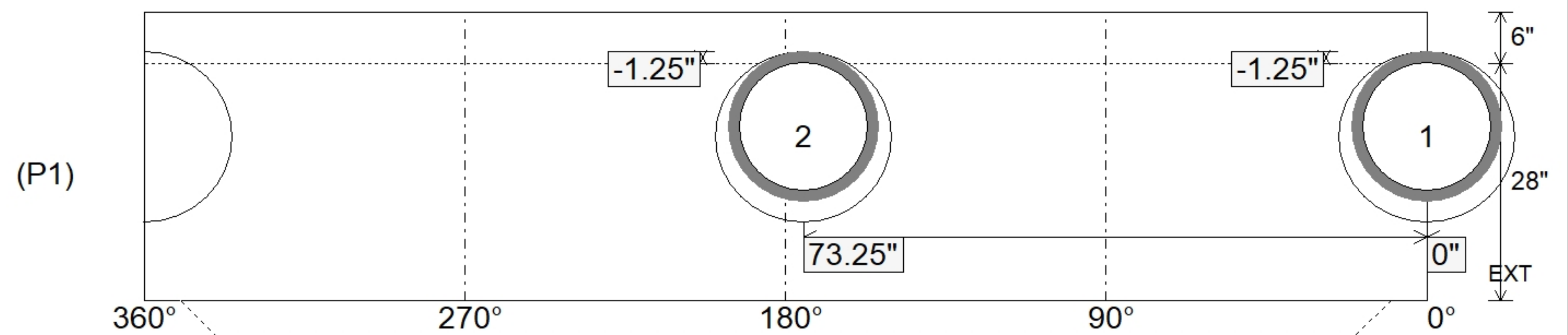
Position	Elev	Angle	Ext. (cw)	Pipe	Pipe OD	Connector	Hole	Horz Size	Up ()	Offset
Invert 1	996.4'	0°	0"	15" HDPE	17.6"	Hole 20	20"	20.629"	-1.25"	0"
Invert 2	996.4'	175°	88.625"	15" HDPE	17.6"	Hole 20	20"	20.629"	-1.25"	0"
Invert 3										
Invert 4										
Invert 5										
Invert 6										
Invert 7										
Invert 8										

RIGHT-SIDE UP VIEW (int. dimensions)

UPSIDE-DOWN VIEW (int. dimensions)



INSIDE WALL DIMENSIONS



Coating (Int): Coating (Ext):	Seam Up: Tongue Seam Dn: n/a	Wall Thickness: 5" Floor Height: 6"	Height (Int): 28" Height (Ext): 34"	Weight (Net): 3016 lb Volume (Net): 0.77cu.yd
----------------------------------	---------------------------------	--	--	--