

Job Name: 25-4502 - Smallhouse Rd Greenway
Job Location: Bowlgin Green, KY
Contractor: Apex Design Group, Inc.

PC: T. Lewis
 TECH: J. Horsley
 Plant: 100



Structure ID: **JB 508.02**
 Spec: Storm
 Type: BX 6inW, 6inF
 Size: 30" x 30"

Rim: 510.52'
 Invert: 508.02'
 Rim to Invert: 2.5'

Sump: 0"
 Floor (Top): 508.02'
 Floor Height: 6"

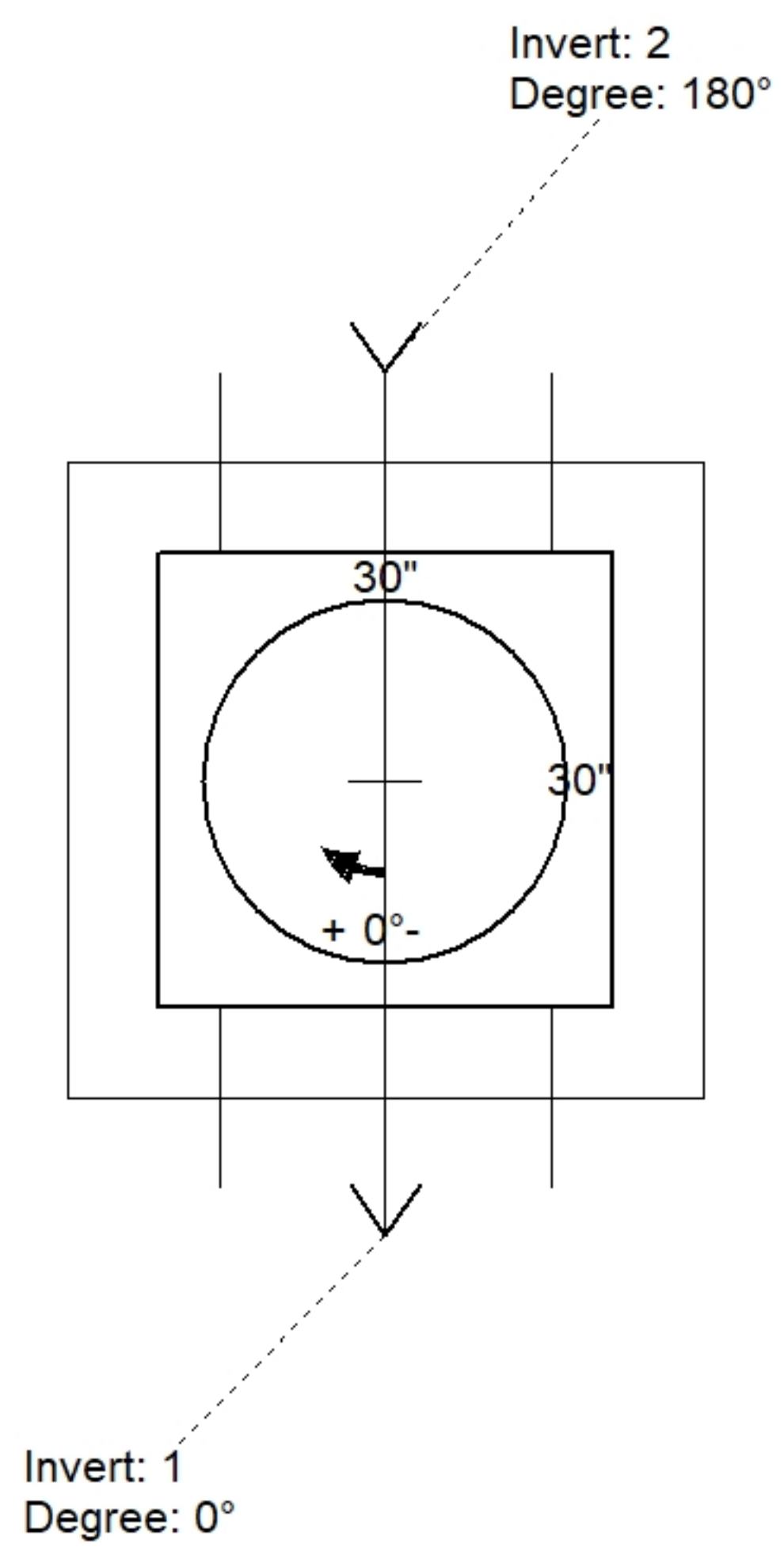
Floor (Bot): 507.52'
 Overall Height: 3'
 Slack: 0"

Structure Notes:

- PER ASTM C913 SPECIFICATIONS.
 - CONCRETE = 4,000 PSI AT 28 DAYS.
 - CASTING BY ICAST (HOE KY-206 TY. 1 F/C)
- REINFORCING PER ASTM A615 (GRADE 60).
 - TOP SLAB (As .62) #5 BARS AT 6" C.C.E.W.

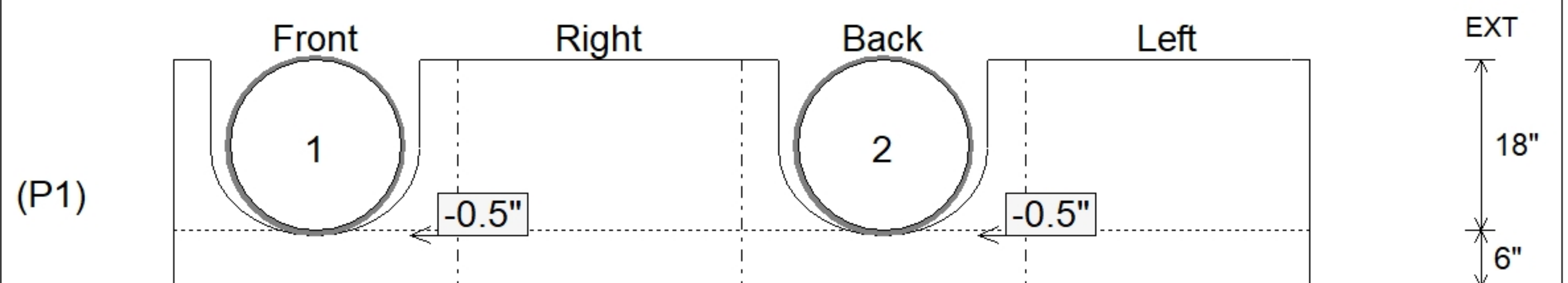
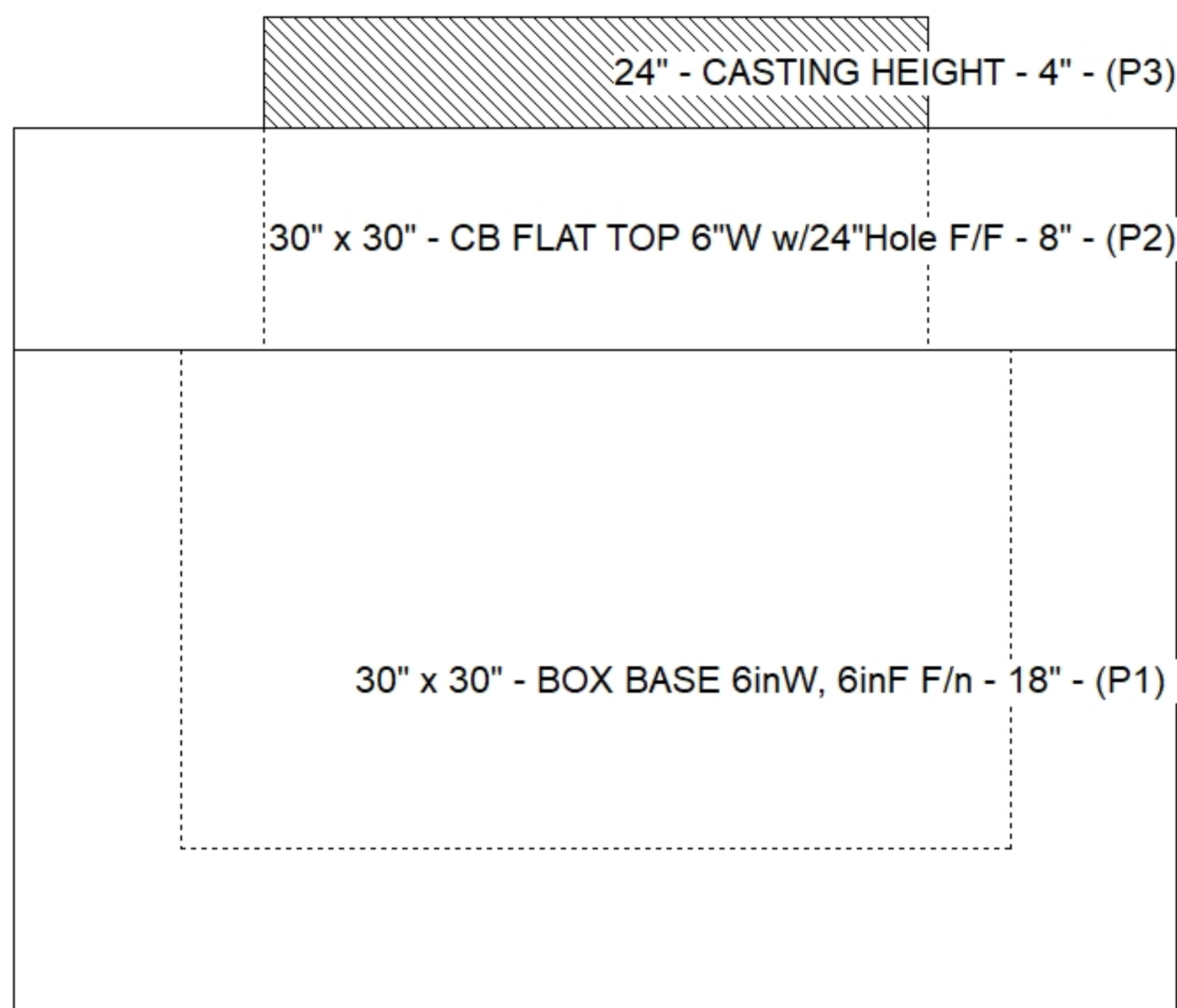
STRUCTURE SUMMARY:

P3) 24" - CASTING HEIGHT - 4"	0 lb
P2) 30" x 30" - CB FLAT TOP 6"W w/24"Hole F/F - 8"	880 lb
P1) 30" x 30" - BOX BASE 6inW, 6inF F/n - 18"	1826 lb
1) 30" x 30" - Conseal CS-102 1.00"	0 lb
2) DOGHOUSE INVRTD - 22"x18"	0 lb
Structure Total:	2707 lb



Position	Elev	Angle	Pipe	Pipe OD	Hole	Connector	Up ()	Ref
Rim	510.52'							
Reducer								
Invert 1	508.02'	0°	18" CMP	19"	22" x 18"	DOGHOUSE INVRTD 22"x18"	-0.5"	P1
Invert 2	508.02'	180°	18" CMP	19"	22" x 18"	DOGHOUSE INVRTD 22"x18"	-0.5"	P1
Invert 3								
Invert 4								
Invert 5								
Invert 6								
Invert 7								
Invert 8								

Cast (Int. Dim.) - Interior Dimensions



Submittal Drawing
 4/14/2026 9:00:32 AM

SUBMITTAL
 APPROVED BY: