

Job Name: 25-4502 - Smallhouse Rd Greenway
 Job Location: Bowlgin Green, KY
 Contractor: Apex Design Group, Inc.

Plant: 100
 4/14/2026 9:06:29 AM

Tech: J. Horsley
 PC: T. Lewis



Structure ID: JB 508.02

P2 BX030030-08LD06-24C

CB FLAT TOP 6"W w/24"Hole F/F

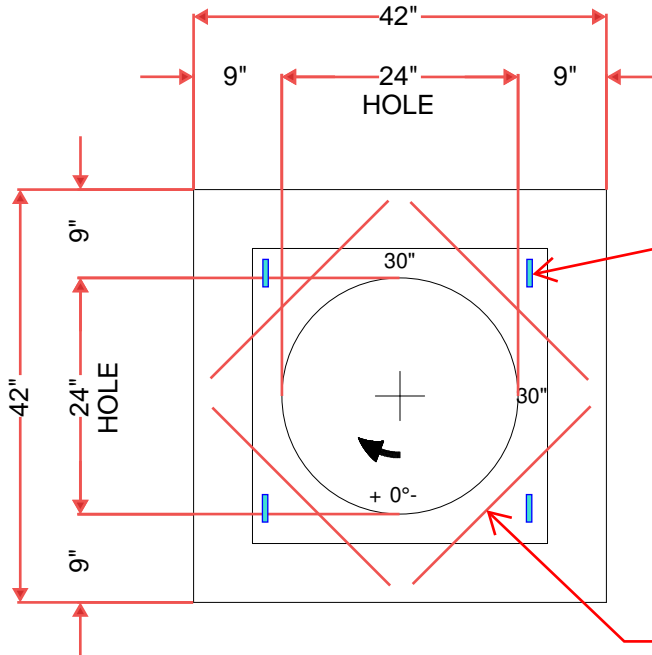
- P3) 24" - CASTING HEIGHT - 4"
- P2) 30" x 30" - CB FLAT TOP 6"W w/24"Hole F/F - 8"
- P1) 30" x 30" - BOX BASE 6inW, 6inF F/n - 18"
- 1) 30" x 30" - Conseal CS-102 1.00"
- 2) DOGHOUSE INVRTD - 22"x18"

0 lb
 880 lb
 1826 lb
 0 lb
 0 lb

 Structure Total: 2707 lb

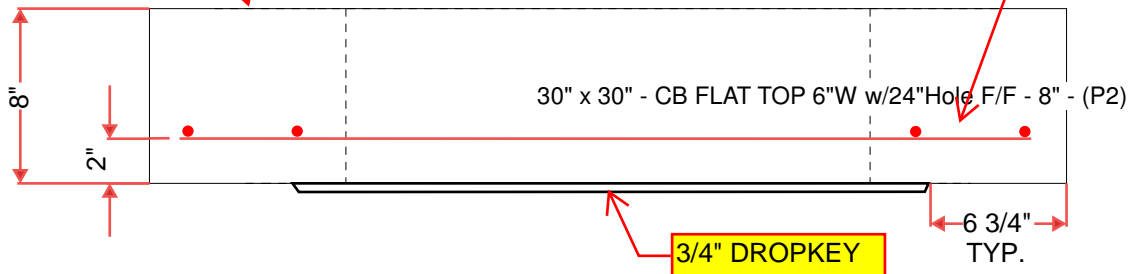
Structure Notes:
 1. PER ASTM C913 SPECIFICATIONS.
 2. CONCRETE = 4,000 PSI AT 28 DAYS.
 3. CASTING BY ICAST (HOE KY-206 TY. 1 F/C)

REINFORCING PER ASTM A615 (GRADE 60).
 - TOP SLAB (As .62) #5 BARS AT 6" C.C.E.W.



SMOOTH FINISH ON TOP SURFACE

#5 BARS AT 6" C.C.E.W.



3/4" DROPKEY

Coating (Int): Coating (Ext):	Seam Up: Flat Seam Dn: Flat	Wall Thickness: 6"	Height (Ext): 8"	Weight (Net): 880 lb Volume (Net): 0.22cu.yd
----------------------------------	--------------------------------	--------------------	------------------	---