

Job Name: 25-4488 - WVDOT Wood Co NHPP-0068(192)

Job Location: Parkersburg, WV

Contractor: Triton Construction

PC: E. Bradley

TECH: Jared - F

Plant: 100



Structure ID: **MH-07**

Spec: WVDOT

Type: TYPE A MANHOLE

Size: 60"

Rim: 602.3'
Invert: 593.5'
Rim to Invert: 8.8'

Sump: 0"
Floor (Top): 593.5'
Floor Height: 8"

Floor (Bot): 592.833'
Overall Height: 9.404'
Slack: 0.75"

Structure Notes:

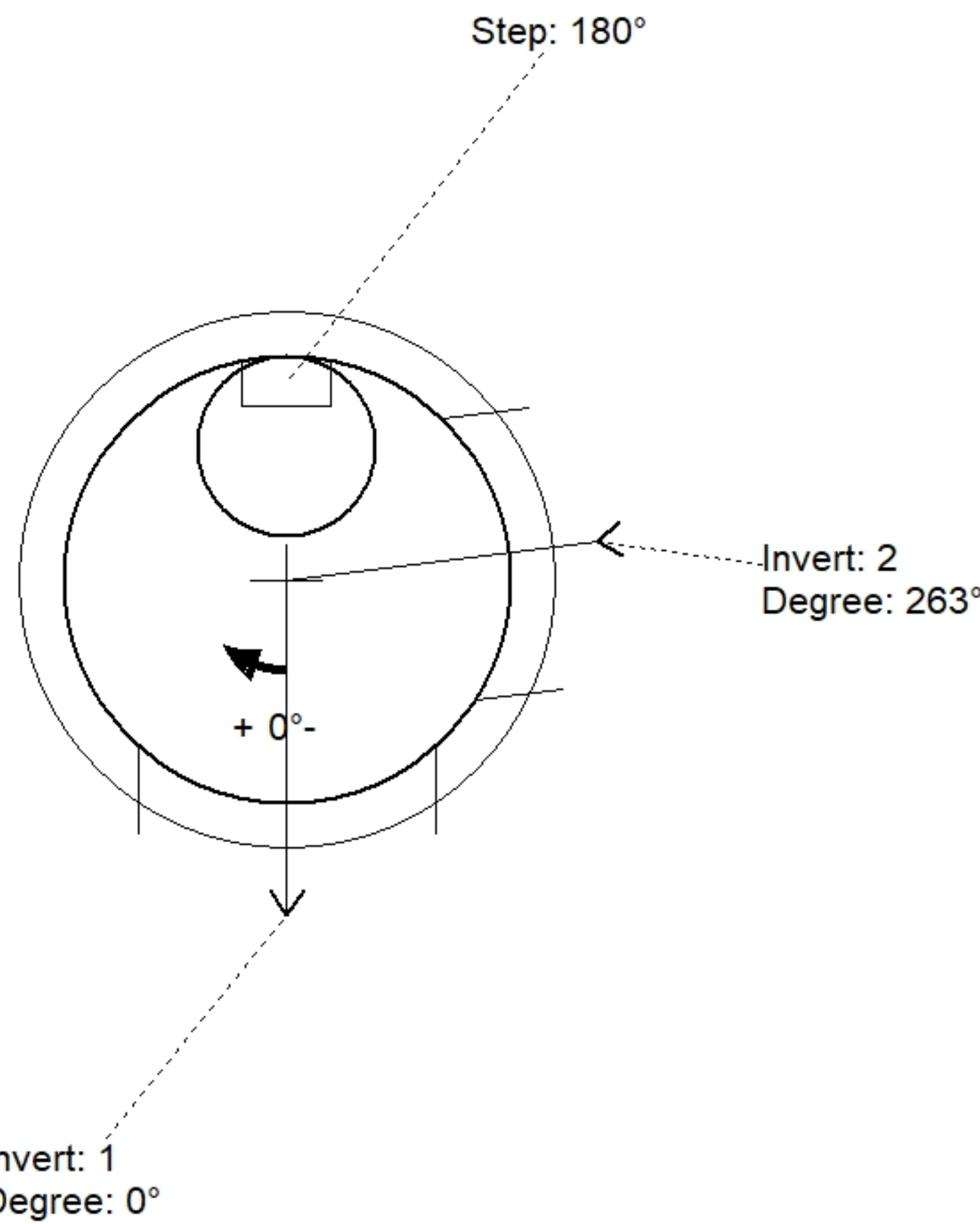
WVDOT STATE PROJECT

1. PER ASTM C478 SPECIFICATIONS.
2. CONCRETE = 4,000 PSI AT 28 DAYS.
3. INVERT CHANNEL (BY OTHERS).
4. CASTING BY I-CAST (NEENAH R-1785 (F/C)).

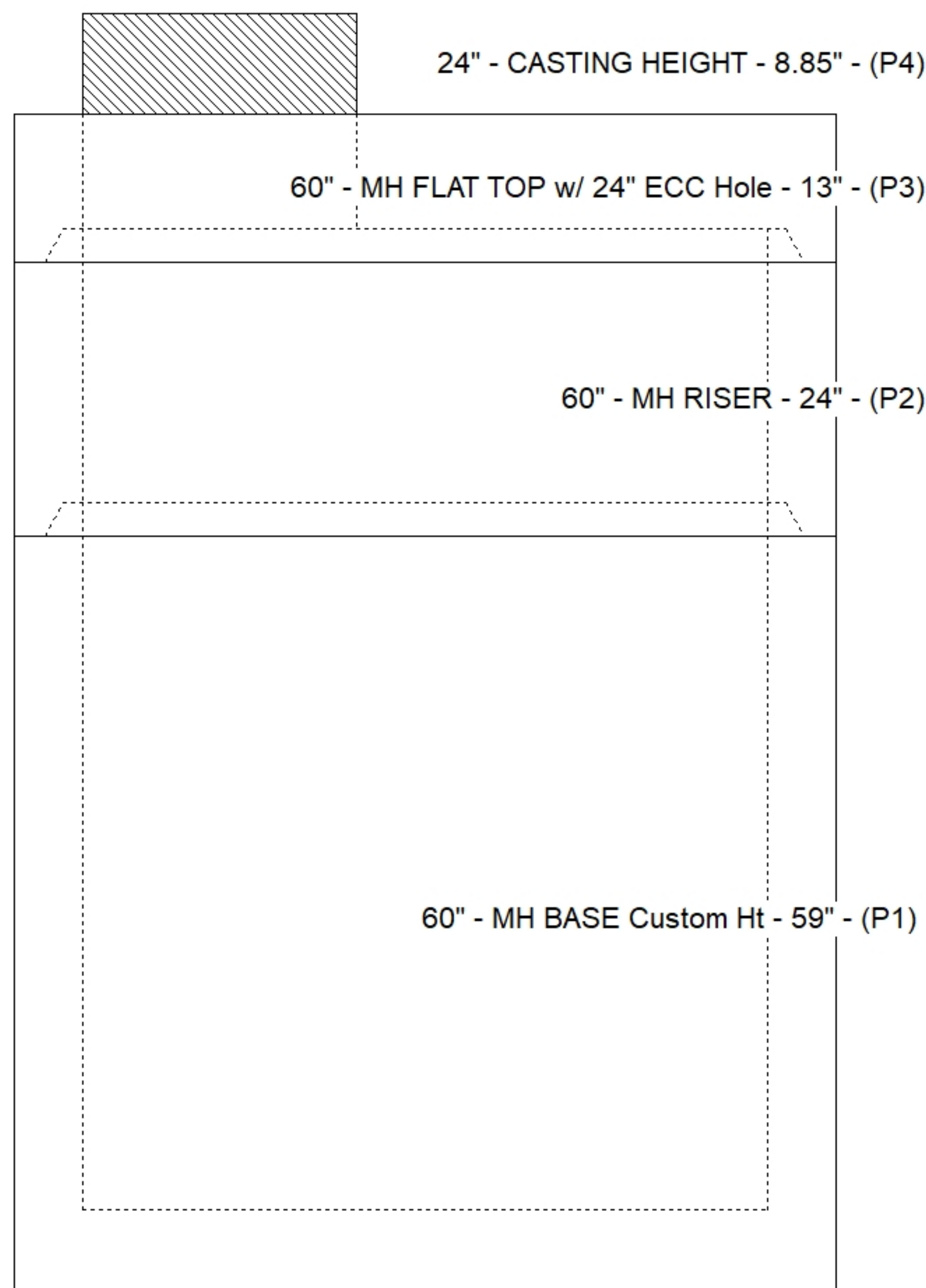
REINFORCING PER ASTM A615 (GRADE 60).
- TOP SLAB (As .62) #5 BARS AT 6" C.C.E.W..
- RISER/WALLS (As .18)
- FLOOR (As .37) #5 BARS AT 10" C.C.E.W.

STRUCTURE SUMMARY:

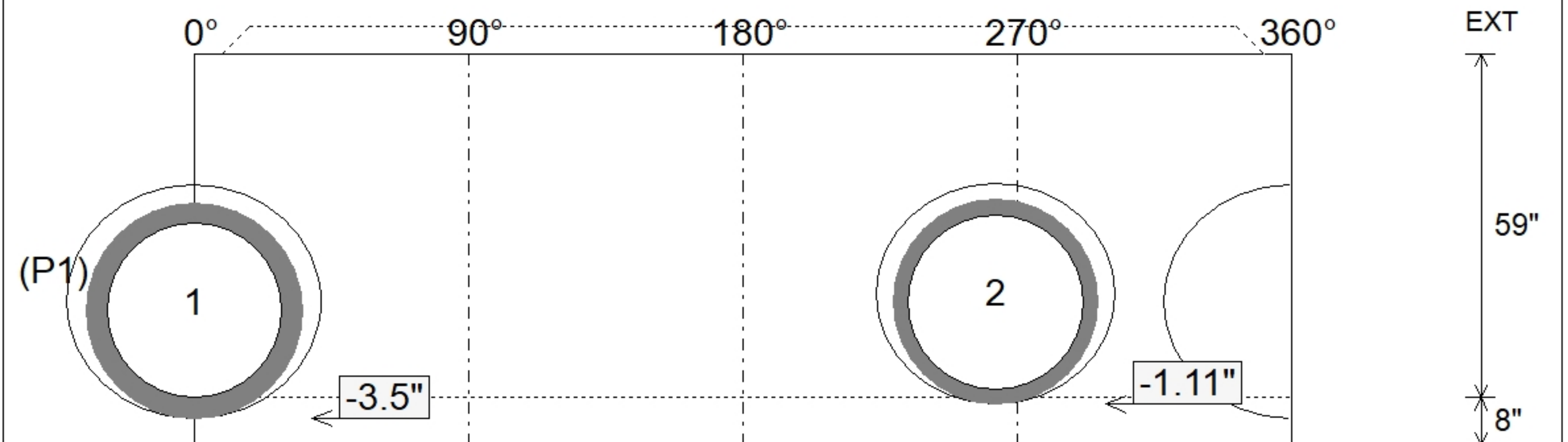
P4) 24" - CASTING HEIGHT - 8.85"	0 lb
P3) 60" - MH FLAT TOP w/ 24" ECC Hole - 13"	2869 lb
P2) 60" - MH RISER - 24"	2505 lb
P1) 60" - MH BASE Custom Ht - 59"	7601 lb
1) CASTING - NEENAH R-1785 (F/C)	294 lb
2) 60" - Conseal CS-102 1.00"	0 lb
1) Hole - 40	0 lb
1) Hole - 38	0 lb
7) MH Step ML-10-TDS-NCR - 10"	0 lb
Structure Total:	13269 lb



Position	Elev	Angle	Pipe	Pipe OD	Hole	Connector	Up (L)	Ref
Rim	602.3'							
Reducer								
Invert 1	593.5'	0°	30" RCP B WALL	37"	40"	Hole 40	-3.5"	P1
Invert 2	593.62'	263°	30" HDPE	35.1"	38"	Hole 38	-1.11"	P1
Invert 3								
Invert 4								
Invert 5								
Invert 6								
Invert 7								
Invert 8								



Default - Interior Dimensions



Submittal Drawing
4/3/2026 11:38:16 AM

SUBMITTAL
APPROVED BY: