

Job Name: 25-4488 - WV DOT Wood Co NHPP-0068(192)	Plant: 100	Tech: Jared - F	
Job Location: Parkersburg, WV	3/26/2026 1:42:34 PM	PC: E. Bradley	
Contractor: Triton Construction			

Structure ID: MH-07

P2 MH060RS24

MH RISER T/G

P4) 24" - CASTING HEIGHT - 8.85"	0 lb
P3) 60" - MH FLAT TOP w/ 24" ECC Hole F/G - 13"	2869 lb
P2) 60" - MH RISER T/G - 24"	2505 lb
P1) 60" - MH BASE Custom Ht T/n - 59"	7601 lb
1) CASTING - NEENAH R-1785 (F/C)	294 lb
2) 60" - Conseal CS-102 1.00"	0 lb
1) Hole - 40	0 lb
1) Hole - 38	0 lb
7) MH Step ML-10-TDS-NCR - 10"	0 lb
Structure Total:	13269 lb

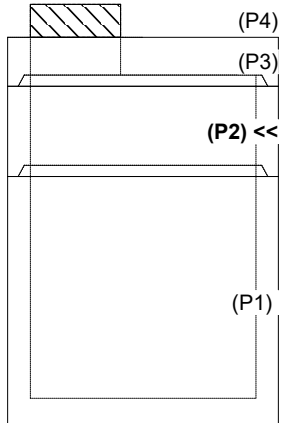
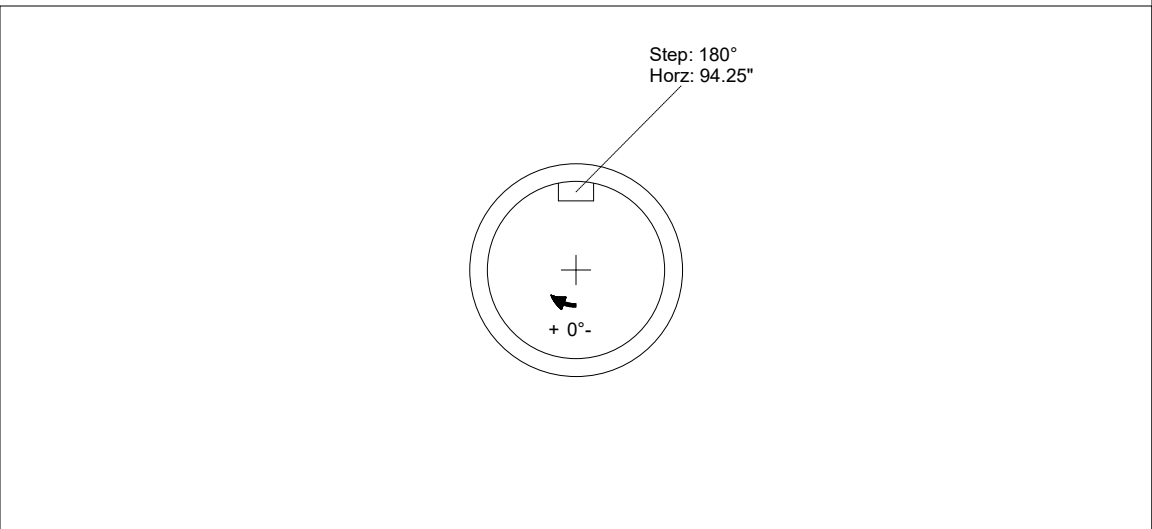
Structure Notes:
****WV DOT STATE PROJECT****
 1. PER ASTM C478 SPECIFICATIONS.
 2. CONCRETE = 4,000 PSI AT 28 DAYS.
 3. INVERT CHANNEL (BY OTHERS).
 4. CASTING BY I-CAST (NEENAH R-1785 (F/C)).

REINFORCING PER ASTM A615 (GRADE 60).
 - TOP SLAB (As .62) #5 BARS AT 6" C.C.E.W..
 - RISER/WALLS (As .18)
 - FLOOR (As .37) #5 BARS AT 10" C.C.E.W.

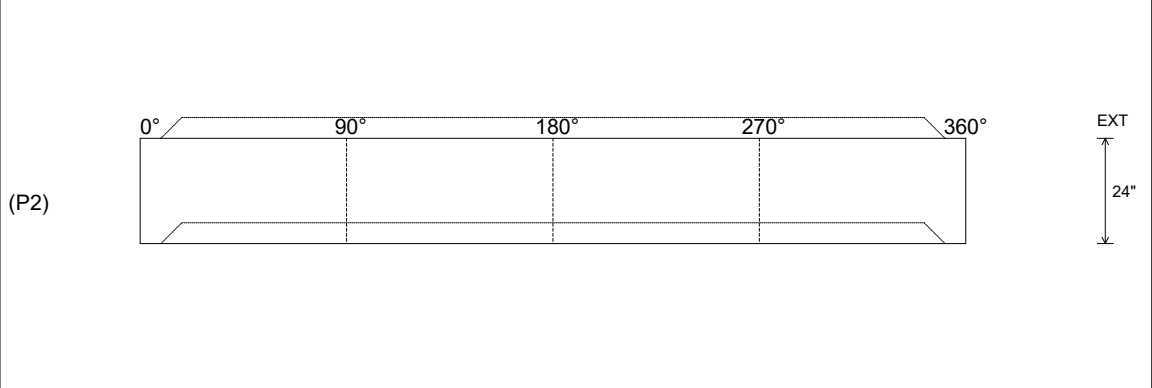
Rim: 602.3' Rim to Invert: 8.8' Slack: 0.75" Sump: 0" Step Position: 180

Position	Elev	Angle	Ext. (cw)	Pipe	Pipe OD	Connector	Hole	Horz Size	Up (L)	Offset
Invert 1										
Invert 2										
Invert 3										
Invert 4										
Invert 5										
Invert 6										
Invert 7										
Invert 8										

RIGHT-SIDE UP VIEW (int. dimensions)



INSIDE WALL DIMENSIONS



Coating (Int): Coating (Ext):	Seam Up: Tongue Seam Dn: Groove	Wall Thickness: 6" Floor Height: 0"	Height (Int): 24" Height (Ext): 24"	Weight (Net): 2505 lb Volume (Net): 0.64cu.yd
----------------------------------	------------------------------------	--	--	--