

**Job Name: 25-4488 - WVDOT Wood Co NHPP-0068(192)**  
**Job Location: Parkersburg, WV**  
**Contractor: Triton Construction**

PC: E. Bradley  
 TECH: Jared - F  
 Plant: 100



Structure ID: **MH-06**  
 Spec: WVDOT  
 Type: TYPE A MANHOLE  
 Size: 60"

Rim: 602.48'  
 Invert: 594.06'  
 Rim to Invert: 8.42'

Sump: 0"  
 Floor (Top): 594.06'  
 Floor Height: 8"

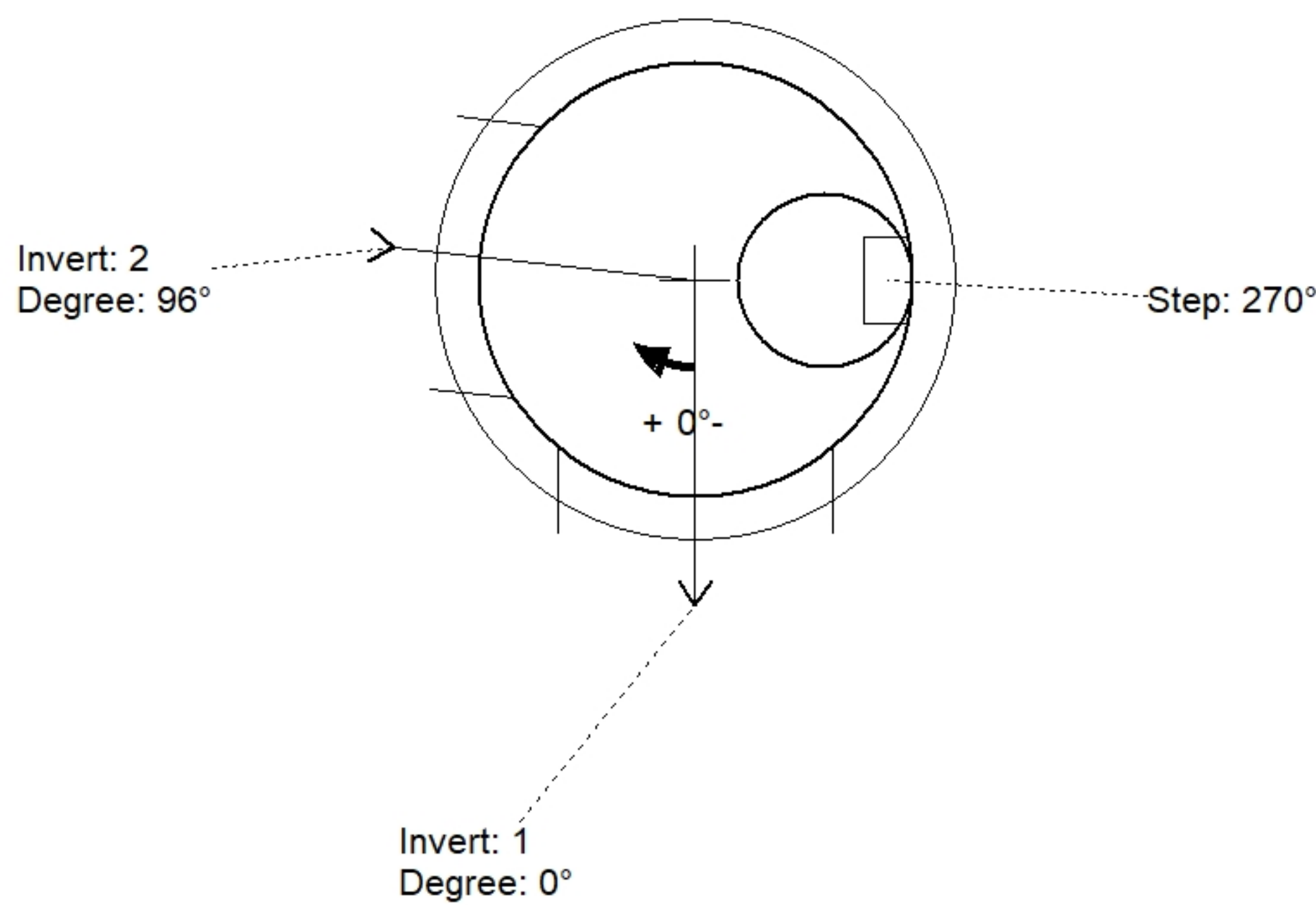
Floor (Bot): 593.393'  
 Overall Height: 9.071'  
 Slack: 0.19"

**Structure Notes:**

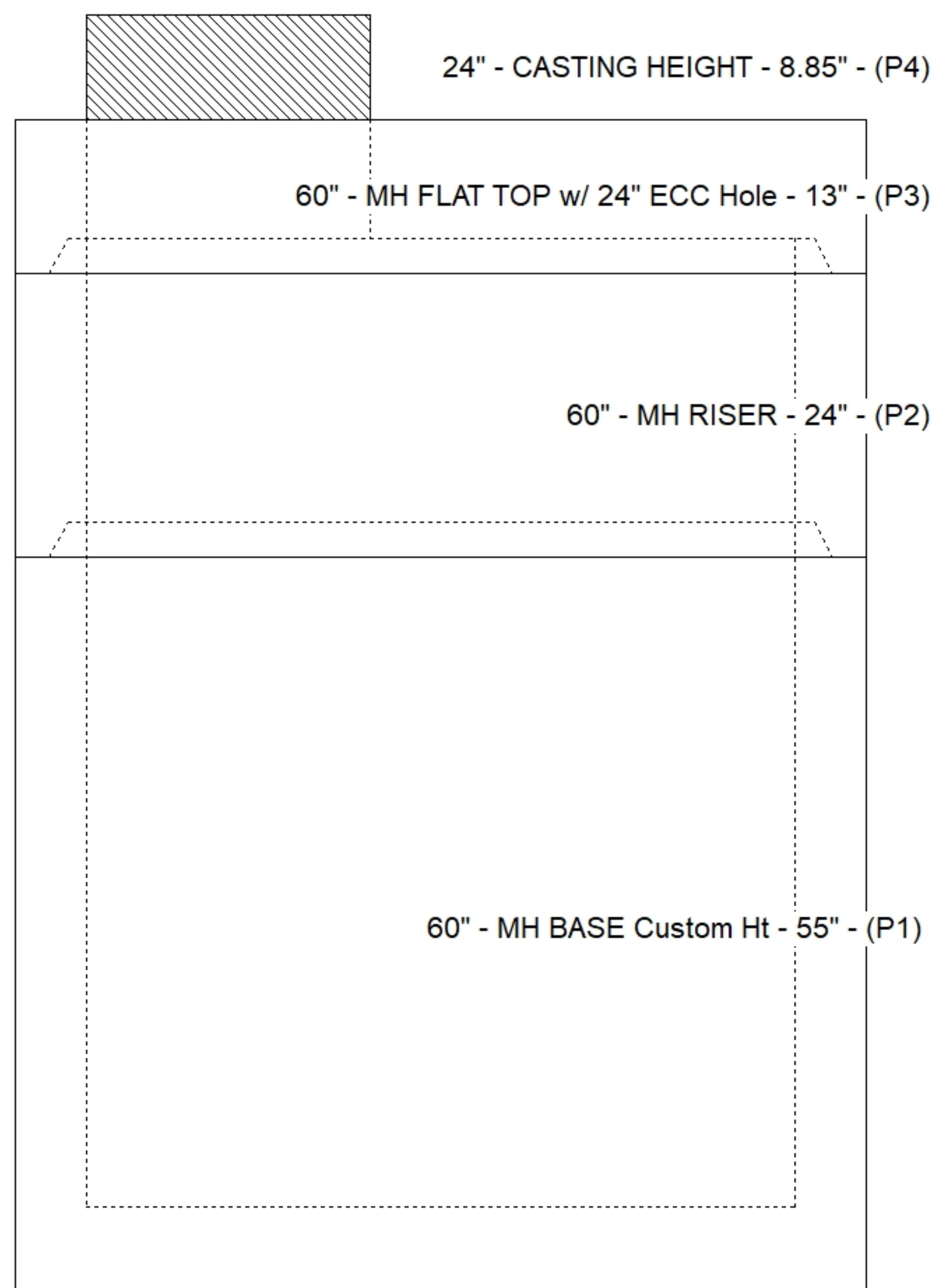
- \*\*WVDOT STATE PROJECT\*\***
- PER ASTM C478 SPECIFICATIONS.
  - CONCRETE = 4,000 PSI AT 28 DAYS.
  - INVERT CHANNEL (BY OTHERS).
  - CASTING BY I-CAST (NEENAH R-1785 (F/C)).
- REINFORCING PER ASTM A615 (GRADE 60).  
 - TOP SLAB (As .62) #5 BARS AT 6" C.C.E.W..  
 - RISER/WALLS (As .18)  
 - FLOOR (As .37) #5 BARS AT 10" C.C.E.W.

**STRUCTURE SUMMARY:**

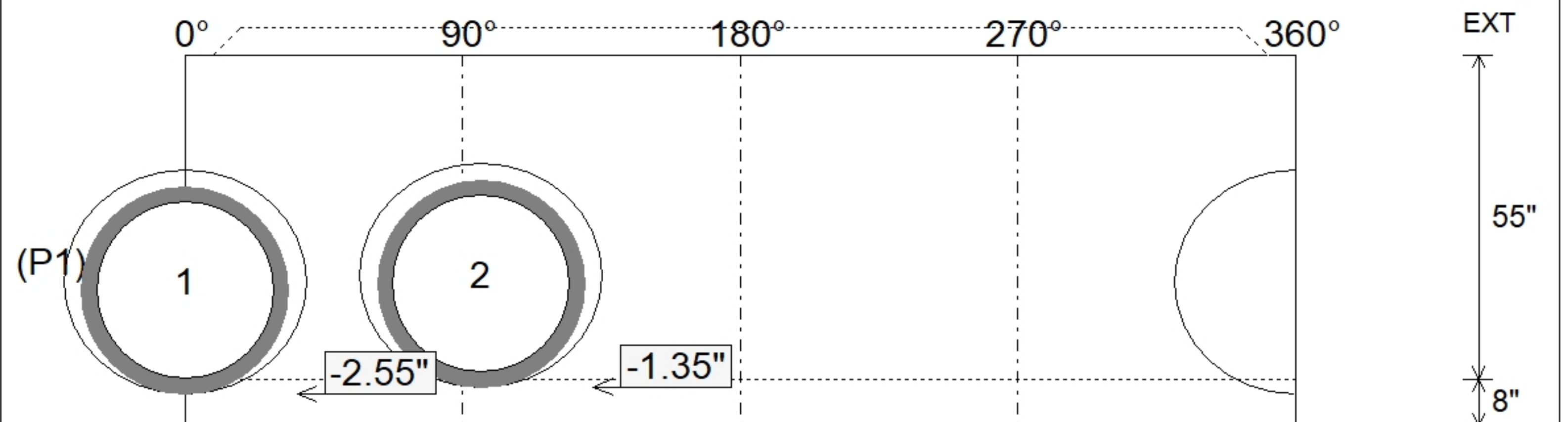
P4) 24" - CASTING HEIGHT - 8.85"	0 lb
P3) 60" - MH FLAT TOP w/ 24" ECC Hole - 13"	2869 lb
P2) 60" - MH RISER - 24"	2505 lb
P1) 60" - MH BASE Custom Ht - 55"	7255 lb
1) CASTING - NEENAH R-1785 (F/C)	294 lb
2) 60" - Conseal CS-102 1.00"	0 lb
2) Hole - 38	0 lb
7) MH Step ML-10-TDS-NCR - 10"	0 lb
<b>Structure Total:</b>	<b>12923 lb</b>



Position	Elev	Angle	Pipe	Pipe OD	Hole	Connector	Up (L)	Ref
Rim	602.48'							
Reducer								
Invert 1	594.06'	0°	30" HDPE	35.1"	38"	Hole 38	-2.55"	P1
Invert 2	594.16'	96°	30" HDPE	35.1"	38"	Hole 38	-1.35"	P1
Invert 3								
Invert 4								
Invert 5								
Invert 6								
Invert 7								
Invert 8								



**Default - Interior Dimensions**



Submittal Drawing  
 4/3/2026 11:38:16 AM

SUBMITTAL  
 APPROVED BY: