

Job Name: 25-4488 - WVDOT Wood Co NHPP-0068(192)
Job Location: Parkersburg, WV
Contractor: Triton Construction

PC: E. Bradley
 TECH: Jared - F
 Plant: 100



Structure ID: **MH-04**
 Spec: WVDOT
 Type: TYPE A MANHOLE
 Size: 60"

Rim: 604.3'
 Invert: 595.63'
 Rim to Invert: 8.67'

Sump: 0"
 Floor (Top): 595.63'
 Floor Height: 8"

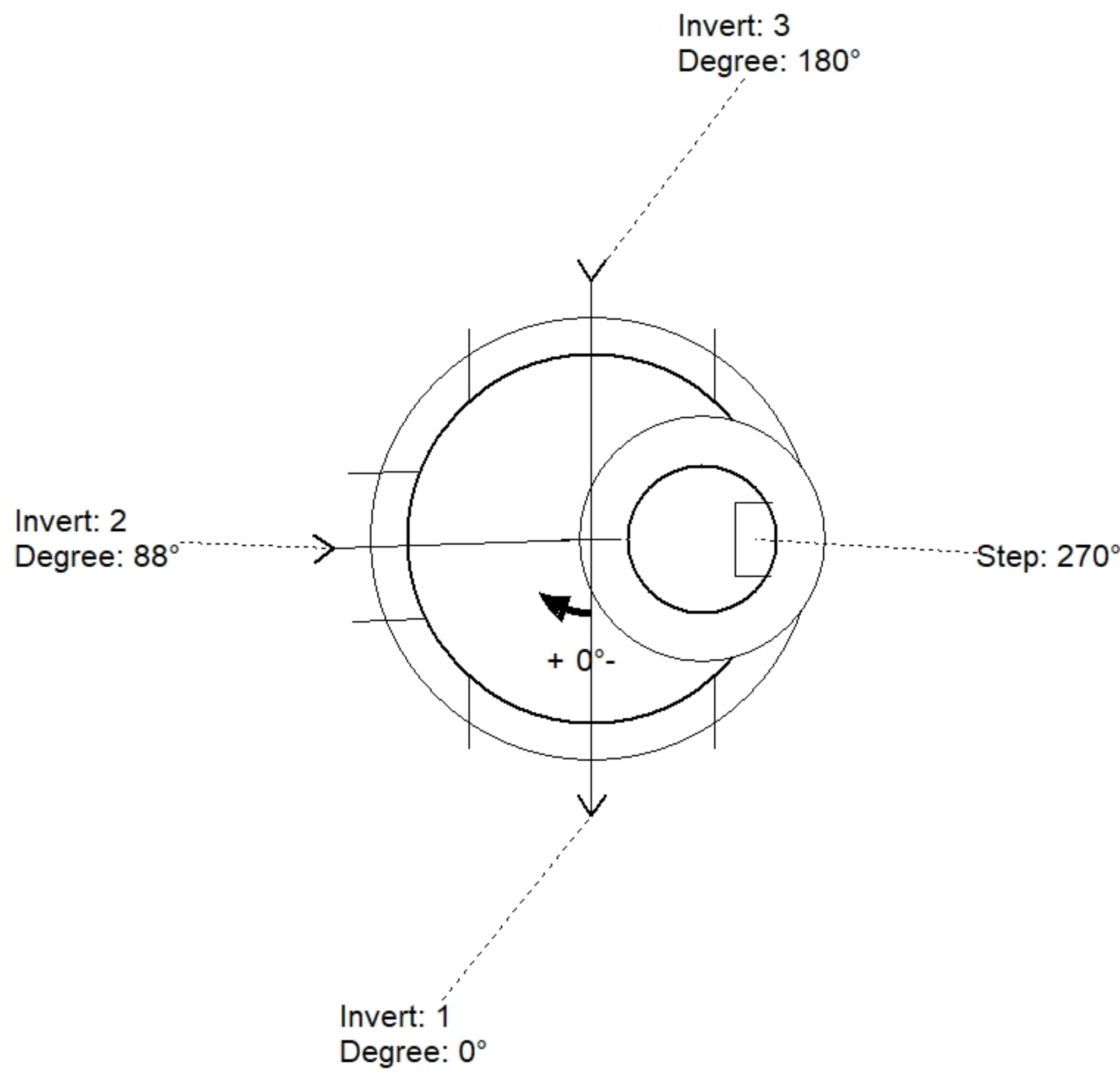
Floor (Bot): 594.963'
 Overall Height: 9.321'
 Slack: 0.19"

Structure Notes:

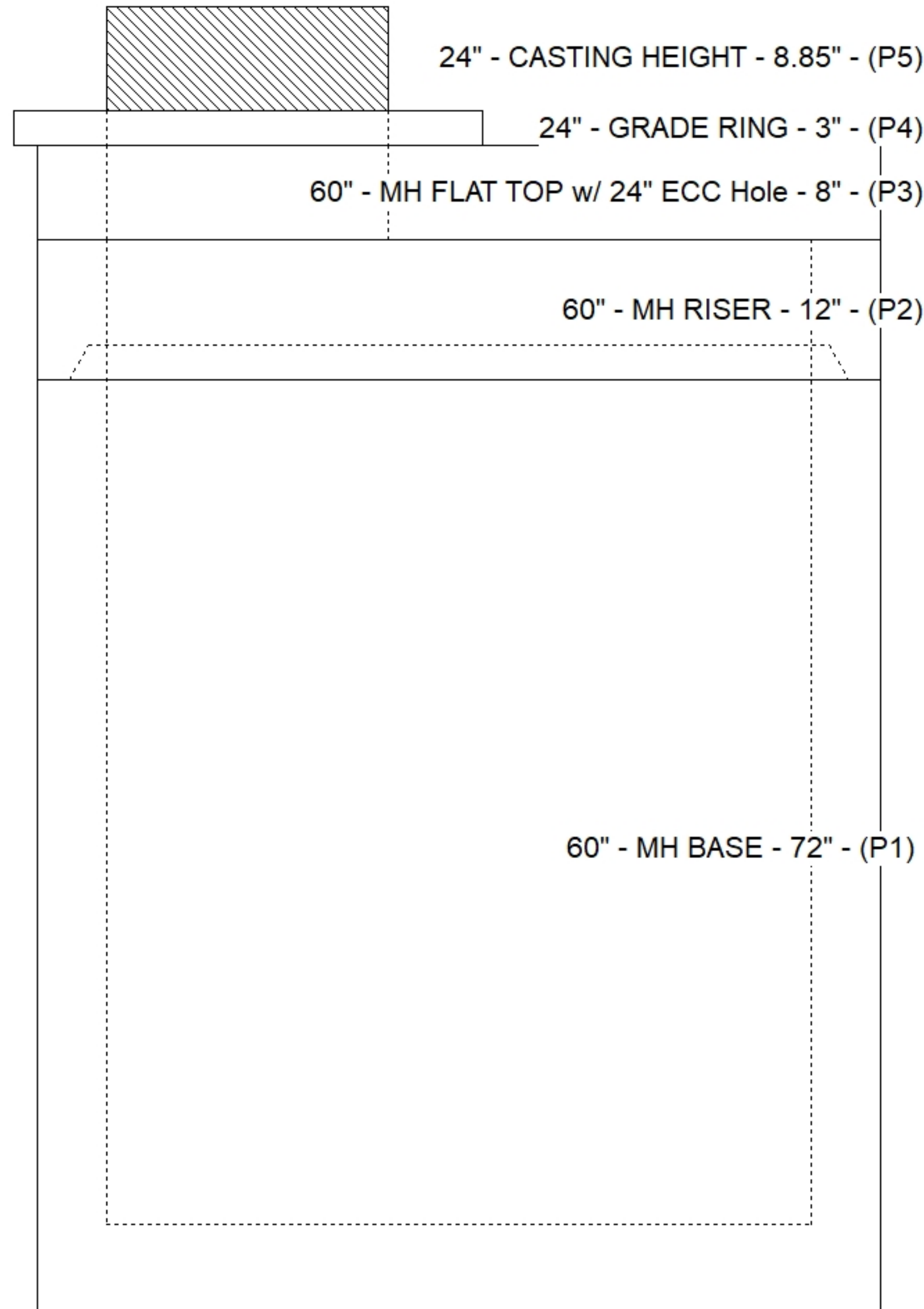
- **WVDOT STATE PROJECT****
- PER ASTM C478 SPECIFICATIONS.
 - CONCRETE = 4,000 PSI AT 28 DAYS.
 - INVERT CHANNEL (BY OTHERS).
 - CASTING BY I-CAST (NEENAH R-1785 (F/C)).
- REINFORCING PER ASTM A615 (GRADE 60).
 - TOP SLAB (As .62) #5 BARS AT 6" C.C.E.W..
 - RISER/WALLS (As .18)
 - FLOOR (As .37) #5 BARS AT 10" C.C.E.W.

STRUCTURE SUMMARY:

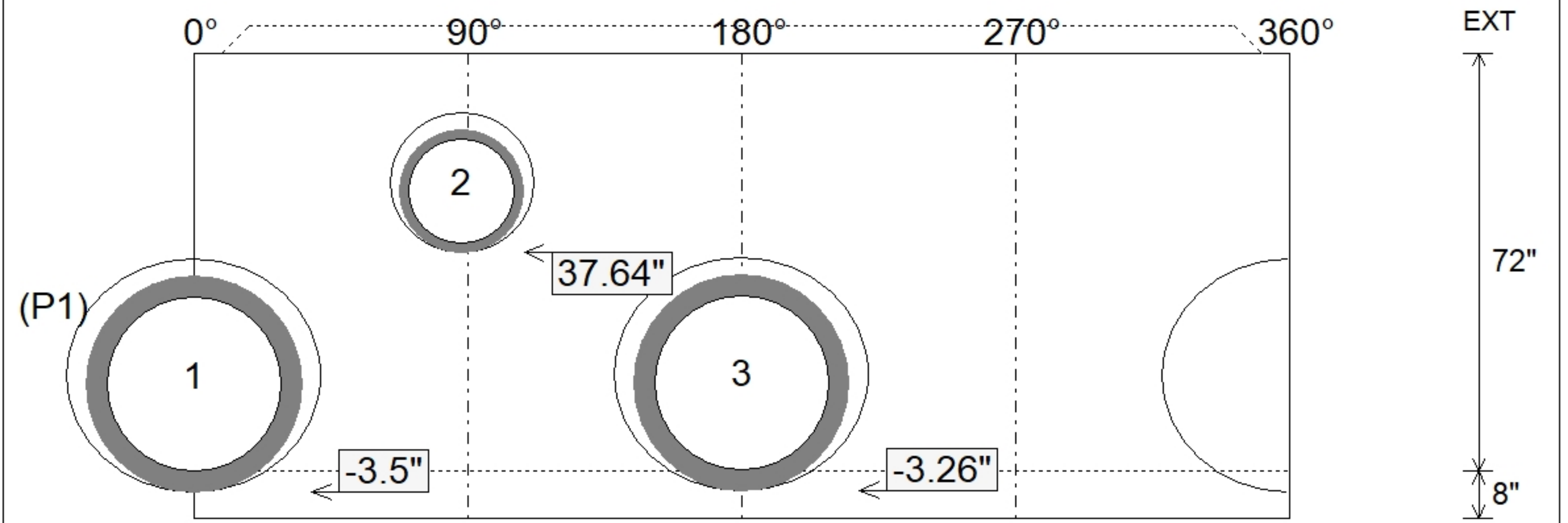
P5) 24" - CASTING HEIGHT - 8.85"	0 lb
P4) 24" - GRADE RING - 3"	202 lb
P3) 60" - MH FLAT TOP w/ 24" ECC Hole - 8"	2429 lb
P2) 60" - MH RISER - 12"	1253 lb
P1) 60" - MH BASE - 72"	8653 lb
1) CASTING - NEENAH R-1785 (F/C)	294 lb
2) 60" - Conseal CS-102 1.00"	0 lb
2) Hole - 40	0 lb
1) Hole - 24	0 lb
7) MH Step ML-10-TDS-NCR - 10"	0 lb
Structure Total:	12832 lb



Position	Elev	Angle	Pipe	Pipe OD	Hole	Connector	Up (")	Ref
Rim	604.3'							
Reducer								
Invert 1	595.63'	0°	30" RCP B WALL	37"	40"	Hole 40	-3.5"	P1
Invert 2	598.9'	88°	18" HDPE	21.2"	24"	Hole 24	37.64"	P1
Invert 3	595.65'	180°	30" RCP B WALL	37"	40"	Hole 40	-3.26"	P1
Invert 4								
Invert 5								
Invert 6								
Invert 7								
Invert 8								



Default - Interior Dimensions



Submittal Drawing
 4/3/2026 11:38:15 AM

SUBMITTAL
 APPROVED BY: