

Job Name: 25-4488 - WV DOT Wood Co NHPP-0068(192)
 Job Location: Parkersburg, WV
 Contractor: Triton Construction

Plant: 100

Tech: Jared - F

3/26/2026 1:41:42 PM

PC: E. Bradley



Structure ID: MH-04

P1 MH060BA72

MH BASE T/n

- P5) 24" - CASTING HEIGHT - 8.85"
- P4) 24" - GRADE RING F/F - 3"
- P3) 60" - MH FLAT TOP w/ 24" ECC Hole F/F - 8"
- P2) 60" - MH RISER F/G - 12"
- P1) 60" - MH BASE T/n - 72"
- 1) CASTING - NEENAH R-1785 (F/C)
- 2) 60" - Conseal CS-102 1.00"
- 2) Hole - 40
- 1) Hole - 24
- 7) MH Step ML-10-TDS-NCR - 10"

0 lb
 202 lb
 2429 lb
 1253 lb
 8653 lb
 294 lb
 0 lb
 0 lb
 0 lb
 0 lb

 Structure Total: 12832 lb

Structure Notes:
 WV DOT STATE PROJECT
 1. PER ASTM C478 SPECIFICATIONS.
 2. CONCRETE = 4,000 PSI AT 28 DAYS.
 3. INVERT CHANNEL (BY OTHERS).
 4. CASTING BY I-CAST (NEENAH R-1785 (F/C)).

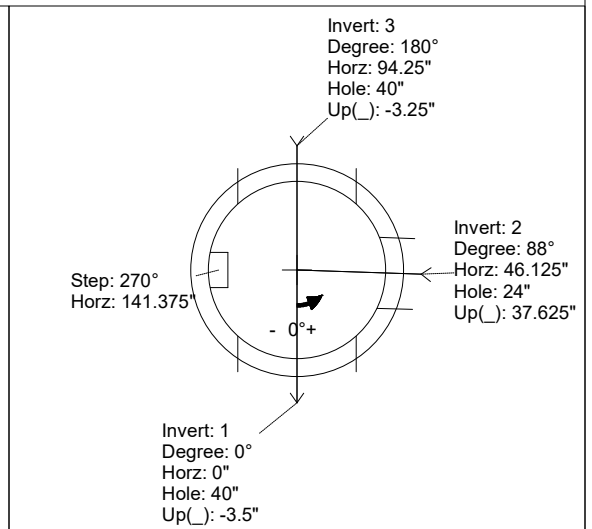
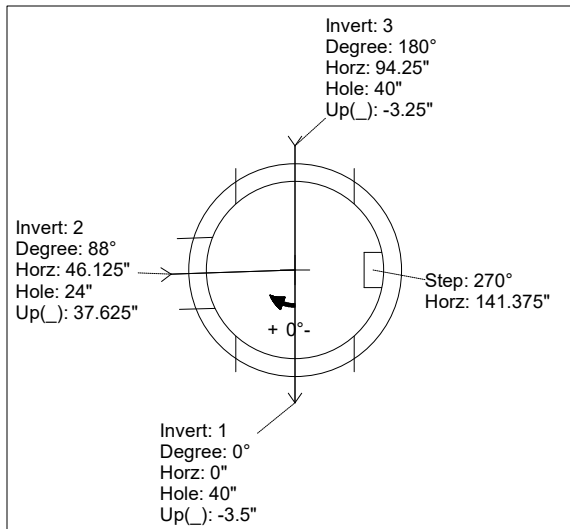
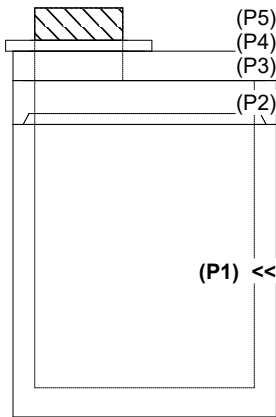
REINFORCING PER ASTM A615 (GRADE 60).
 - TOP SLAB (As .62) #5 BARS AT 6" C.C.E.W..
 - RISER/WALLS (As .18)
 - FLOOR (As .37) #5 BARS AT 10" C.C.E.W.

Rim: 604.3' Rim to Invert: 8.67' Slack: 0.19" Sump: 0" Step Position: 270°

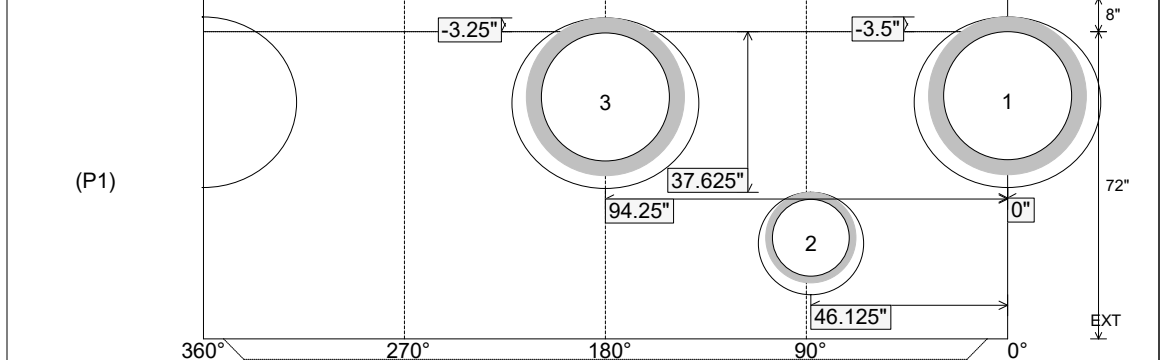
Position	Elev	Angle	Ext. (cw)	Pipe	Pipe OD	Connector	Hole	Horz Size	Up ()	Offset
Invert 1	595.63'	0°	0"	30" RCP B WALL	37"	Hole 40	40"	43.784"	-3.5"	0"
Invert 2	598.9'	88°	55.25"	18" HDPE	21.2"	Hole 24	24"	24.691"	37.625"	0"
Invert 3	595.65'	180°	113.125"	30" RCP B WALL	37"	Hole 40	40"	43.784"	-3.25"	0"
Invert 4										
Invert 5										
Invert 6										
Invert 7										
Invert 8										

RIGHT-SIDE UP VIEW (int. dimensions)

UPSIDE-DOWN VIEW (int. dimensions)



INSIDE WALL DIMENSIONS



Coating (Int):
 Coating (Ext):

Seam Up: Tongue
 Seam Dn: n/a

Wall Thickness: 6"
 Floor Height: 8"

Height (Int): 72"
 Height (Ext): 80"

Weight (Net): 8653 lb
 Volume (Net): 2.21cu.yd