

Job Name: 25-4488 - WVDOT Wood Co NHPP-0068(192)
Job Location: Parkersburg, WV
Contractor: Triton Construction

PC: E. Bradley
 TECH: Jared - F
 Plant: 100



Structure ID: **MH-03**
 Spec: WVDOT
 Type: TYPE A MANHOLE
 Size: 48"

Rim: 601.93'
 Invert: 594.73'
 Rim to Invert: 7.2'

Sump: 0"
 Floor (Top): 594.73'
 Floor Height: 6"

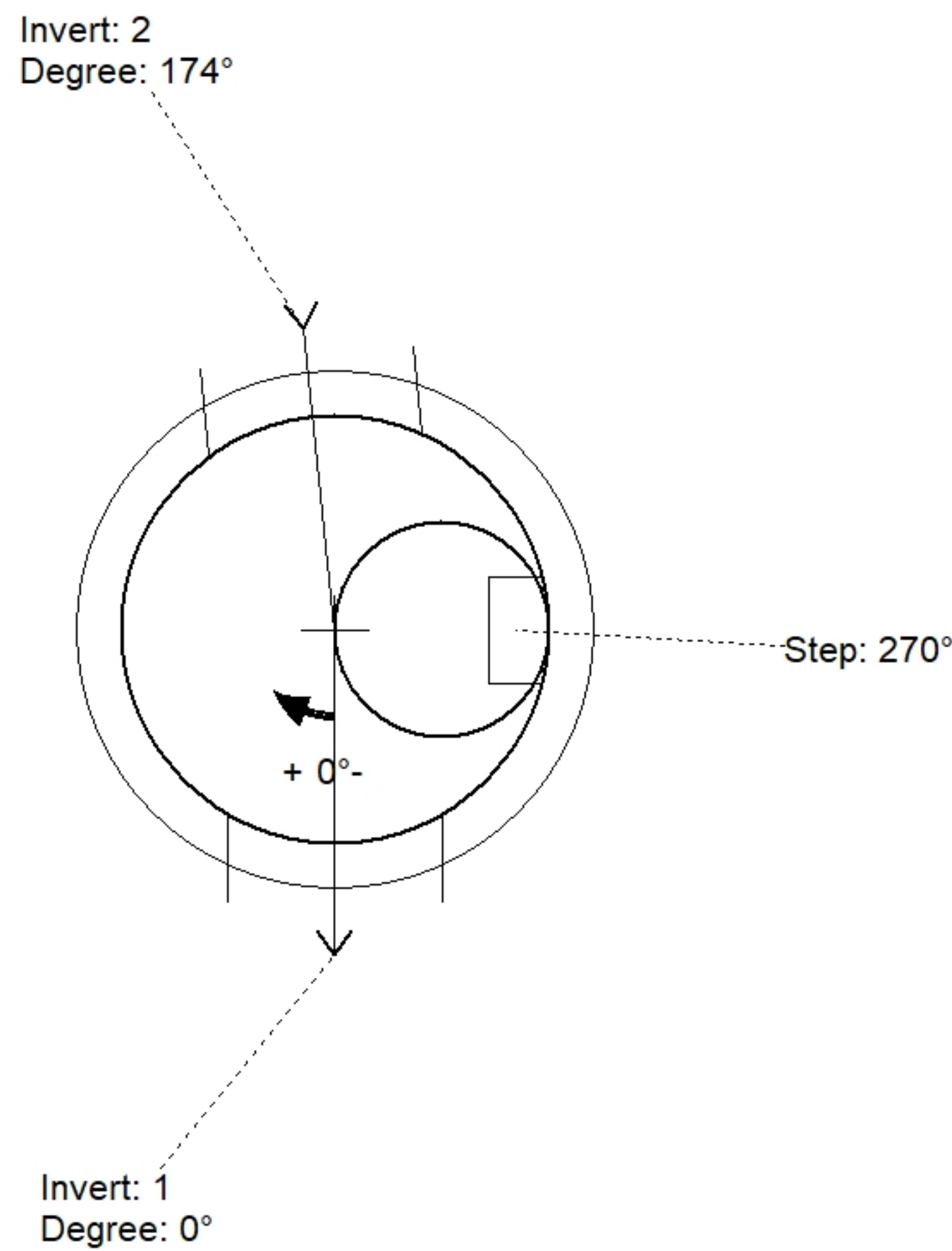
Floor (Bot): 594.23'
 Overall Height: 7.654'
 Slack: 0.55"

Structure Notes:

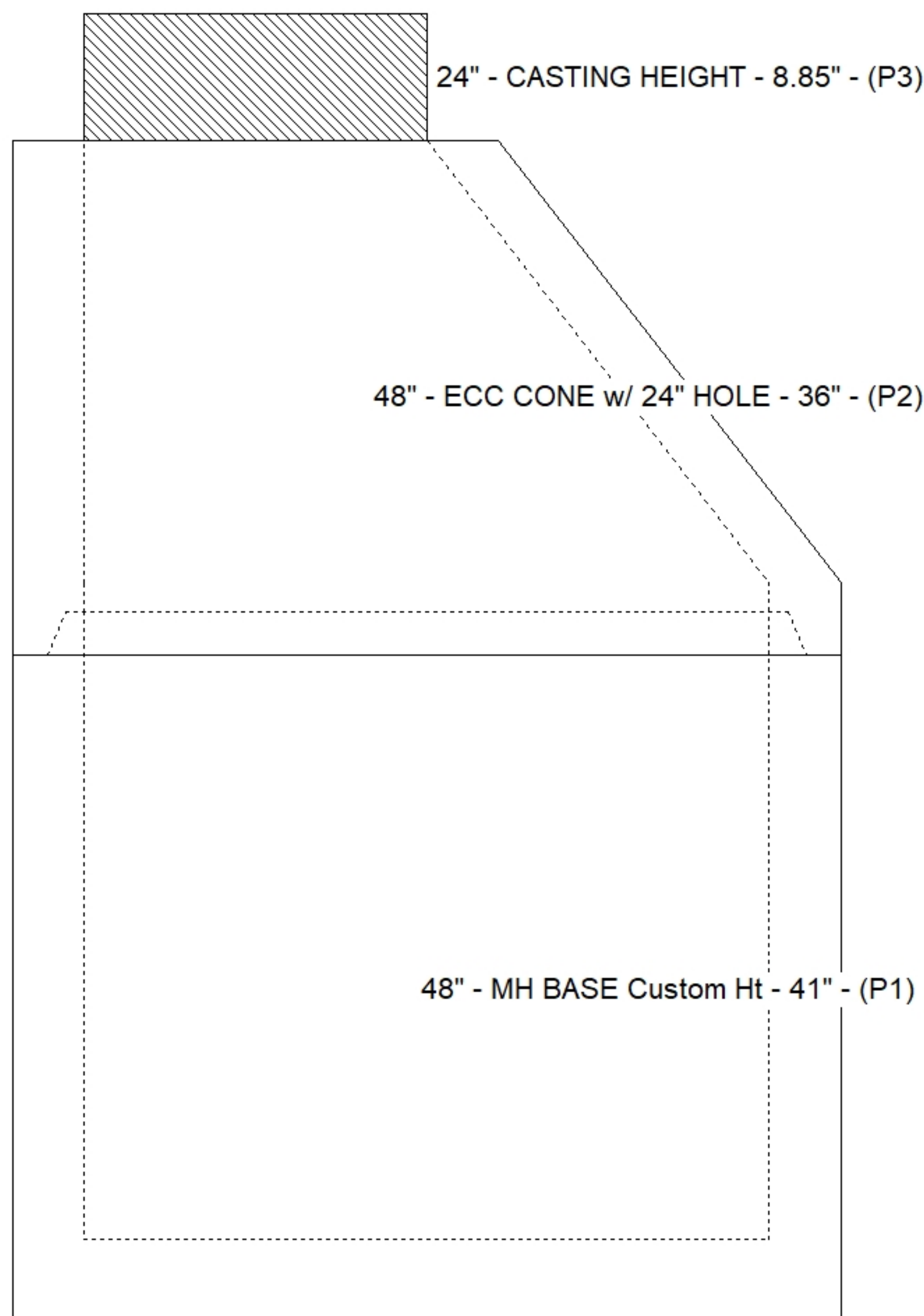
- **WVDOT STATE PROJECT****
- PER ASTM C478 SPECIFICATIONS.
 - CONCRETE = 4,000 PSI AT 28 DAYS.
 - INVERT CHANNEL (BY OTHERS).
 - CASTING BY I-CAST (NEENAH R-1785 (F/C)).
- REINFORCING PER ASTM A615 (GRADE 60).
 - TOP SLAB (As .62) #5 BARS AT 6" C.C.E.W..
 - RISER/WALLS (As .12)
 - FLOOR (As .31) #5 BARS AT 12" C.C.E.W.

STRUCTURE SUMMARY:

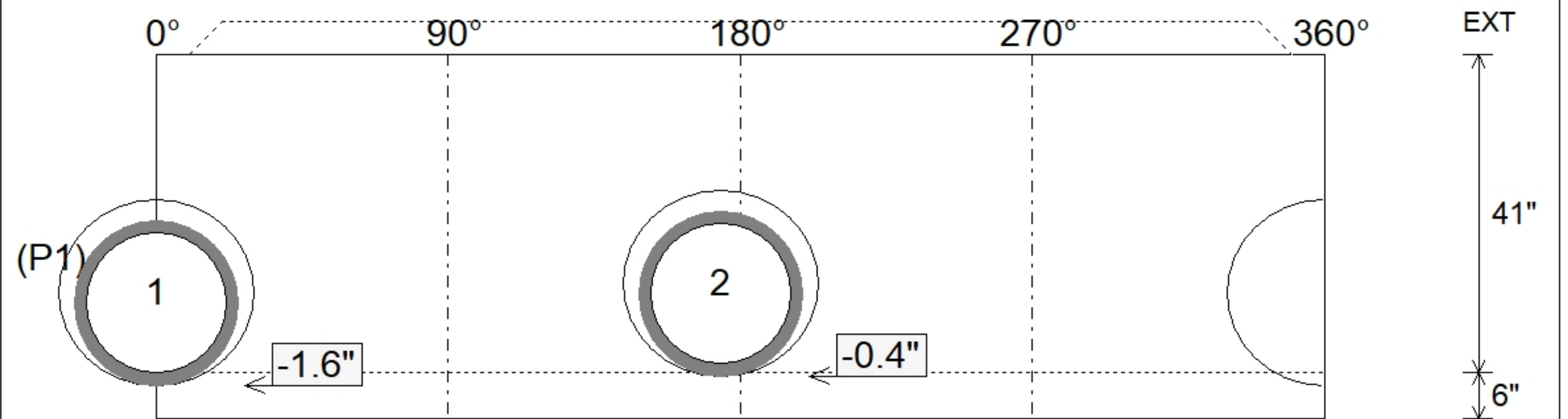
P3) 24" - CASTING HEIGHT - 8.85"	0 lb
P2) 48" - ECC CONE w/ 24" HOLE - 36"	3000 lb
P1) 48" - MH BASE Custom Ht - 41"	3800 lb
1) CASTING - NEENAH R-1785 (F/C)	294 lb
1) 48" - Conseal CS-102 1.00"	0 lb
2) Hole - 24	0 lb
6) MH Step ML-10-TDS-NCR - 10"	0 lb
Structure Total:	7094 lb



Position	Elev	Angle	Pipe	Pipe OD	Hole	Connector	Up (↓)	Ref
Rim	601.93'							
Reducer								
Invert 1	594.73'	0°	18" HDPE	21.2"	24"	Hole 24	-1.6"	P1
Invert 2	594.83'	174°	18" HDPE	21.2"	24"	Hole 24	-0.4"	P1
Invert 3								
Invert 4								
Invert 5								
Invert 6								
Invert 7								
Invert 8								



Default - Interior Dimensions



Submittal Drawing
 4/3/2026 11:38:15 AM

SUBMITTAL
 APPROVED BY: