

Job Name: 25-4477 - ADS Kerrick ES
Job Location: Louisville, KY
Contractor: ADS Advances Drainage Systems, Inc.

PC: C. Goff
 TECH: J. Coppage
 Plant: Beaver Dam



Structure ID: **54477 (2)A**

Spec: Storm
 Type: STM.MH
 Size: 60"

Rim: 1.25'
 Invert: 1.25'
 Rim to Invert: 0'

Sump: 0"
 Floor (Top): 0'
 Floor Height: 0"

Floor (Bot): 0'
 Overall Height: 1.25'
 Slack: 0"

Structure Notes:

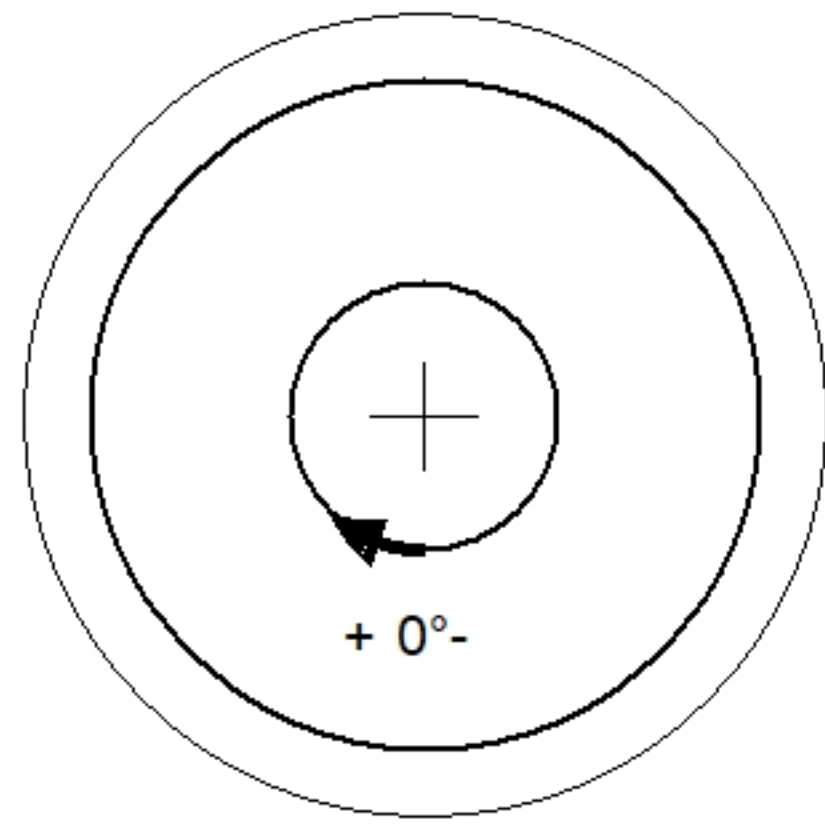
- JR HOE MC-375 PROVIDED BY ICAST.
- PER ASTM C478 SPECIFICATIONS.
- CONCRETE = 4,500 PSI AT 28 DAYS.
- REINFORCING PER ASTM A615 (GRADE 60). (H-20 TRAFFIC RATED DESIGN)
 TOP SLAB (As .62) #5 BARS AT 6" C.C.E.W..

STRUCTURE SUMMARY:

P2) 24" - CASTING HEIGHT - 7"
 P1) 60" - MH FLAT TOP w/24" Ctr. Hole - 8"

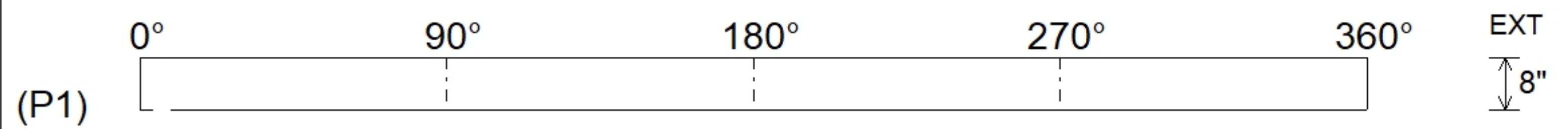
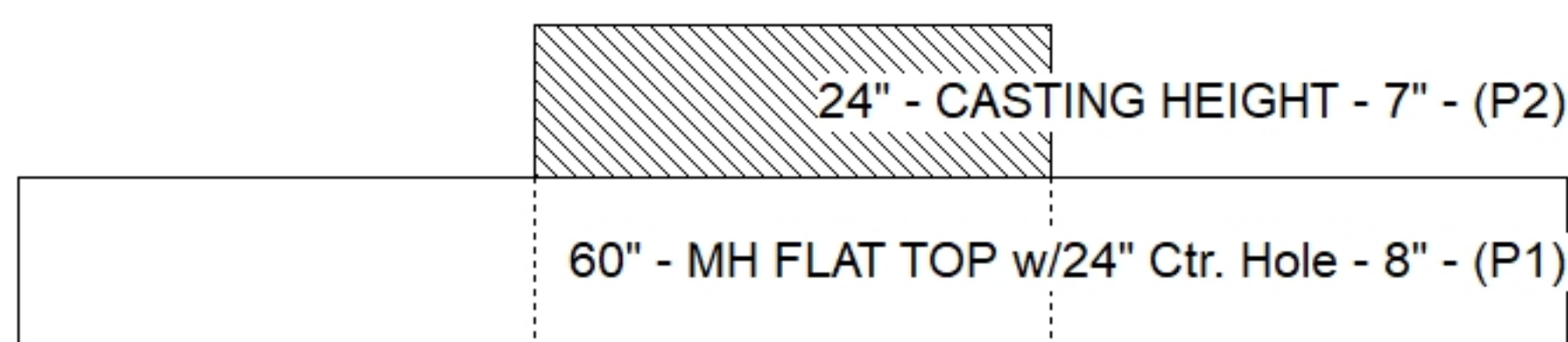
0 lb
 2429 lb

 Structure Total: 2429 lb



Position	Elev	Angle	Pipe	Pipe OD	Hole	Connector	Up ()	Ref
Rim	1.25'							
Reducer								
Invert 1								
Invert 2								
Invert 3								
Invert 4								
Invert 5								
Invert 6								
Invert 7								
Invert 8								

Default - Interior Dimensions



Submittal Drawing
 12/3/2025 11:52:46 AM

SUBMITTAL
 APPROVED BY: