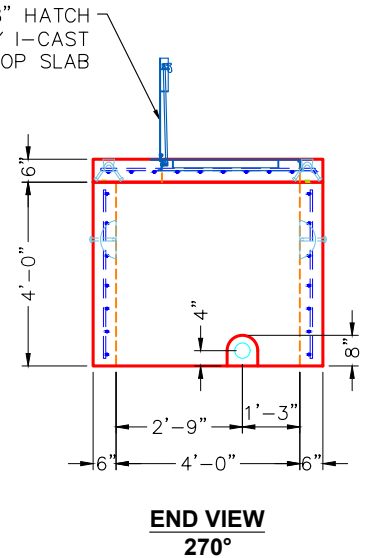
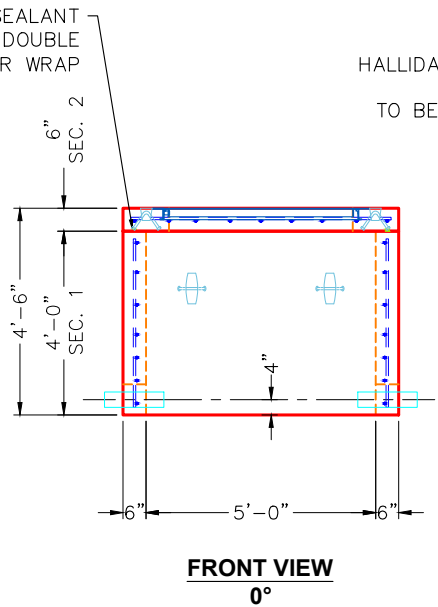
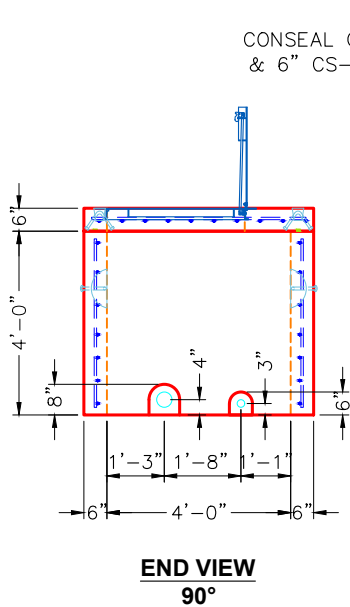
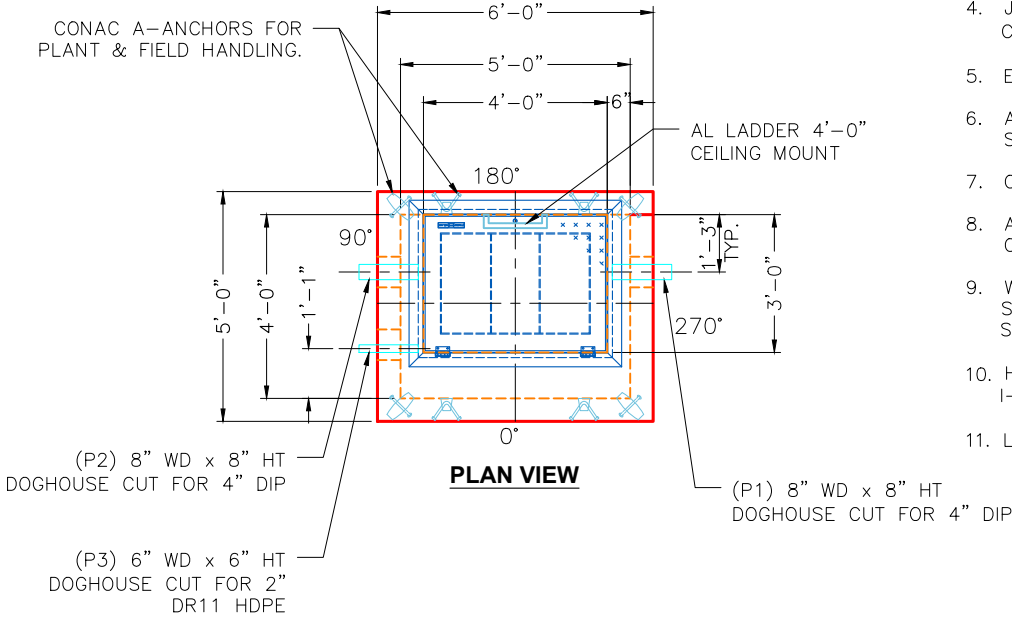


GENERAL NOTES:

1. MANUFACTURED PER ASTM C913 SPECIFICATIONS.
2. CONCRETE = 5,000 PSI AT 28 DAYS.
3. REINFORCING PER ASTM A615 (GRADE 60)
TOP SLAB (As .62) #5 BARS AT 8" C.C.E.W.
WALLS (As .47) #5 BARS AT 8" C.C.E.W.
4. JOINT SEALANT (SUPPLIED BY I-CAST):
CONSEAL CS-102 (1") DOUBLE.
5. EXTERIOR WRAP: 6" CS-212.
6. ANY REQUIRED COATINGS OR LINERS TO BE SUPPLIED BY OTHERS.
7. OPEN BOTTOM - P.I.P. BASE SLAB BY OTHERS.
8. ANY REQUIRED ADMIXTURES TO BE SUPPLIED BY OTHERS.
9. WEIGHTS:
SEC. 2 TOP SLAB.....1,305 LBS
SEC. 1 RISER.....5,726 LBS
10. HALLIDAY S1R 36"x48" HATCH SUPPLIED BY I-CAST TO BE CAST INTO TOP SLAB.
11. LADDER - AL LADDER 4'-0" CEILING MOUNT.



SUBMITTAL DRAWING: 48"x60" WAREHOUSE VAULT	
CUSTOMER: WARREN COUNTY WATER DISTRICT	
PROJECT: WCWD FACILITY METER VAULTS	
STRUCTURE: 54470 (4)	
SALES ORDER NO: 25-4470	
PC: E. BRADLEY	DRAWN BY: FMT
DATE: 12/03/2025	NTS PG. 1 of 1

REVISIONS	
REV. A	DATE: 00-00-00 NO REVISIONS TO DATE

