

Job Name: 25-4454 - Fred White Blvd Boat And RV
Job Location: Portland, TN
Contractor: Core & Main LP (BG)

PC: T. Lewis
 TECH: J. Horsley - A
 Plant: Beaver Dam, KY



Structure ID: **54454 (3)**
 Spec: Storm
 Type: Outlet Control Structure
 Size: 36" x 36"

Rim: 735.5'
 Invert: 731.5'
 Rim to Invert: 4'

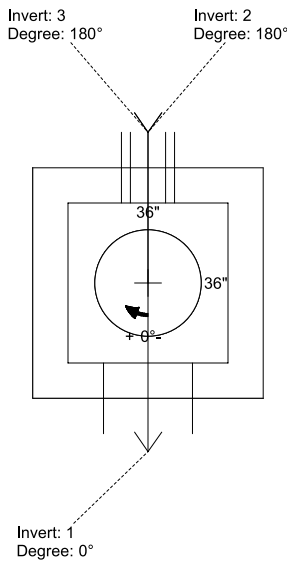
Sump: 0"
 Floor (Top): 731.5'
 Floor Height: 8"

Floor (Bot): 730.833'
 Overall Height: 4.667'
 Slack: 0"

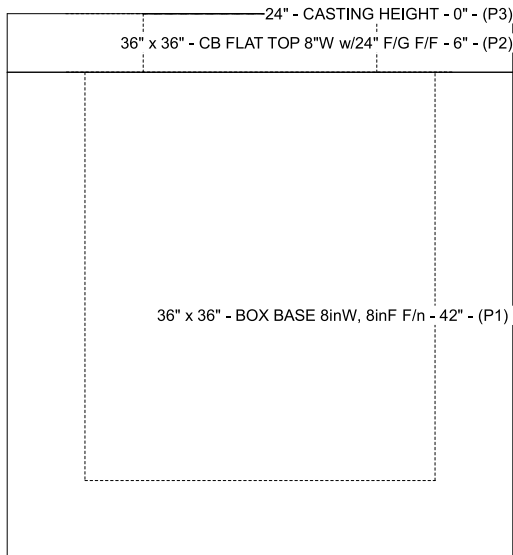
Structure Notes:
 PLAN LABEL: OUTLET CONTROL STRUCTURE
 1. PER ASTM C-913 SPECIFICATIONS
 2. CONCRETE: 4,500 PSI AT 28 DAYS
 3. REINFORCEMENT:
 - FLAT LID: #4 BAR @ 6" C.C. E.W. (GRADE 60)
 - BASE: #5 BAR @ 12" C.C. E.W. (GRADE 60)
 4. NO STORM INVERT
 5. NO STEPS
 6. JBS 2072 FRAME & GRATE SUPPLIED BY ICAST - FRAME TO BE CAST INTO FLAT LID FLANGE SIDE UP

STRUCTURE SUMMARY:

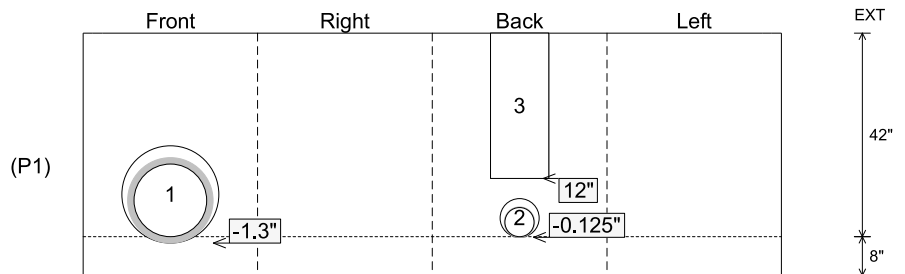
P3) 24" - CASTING HEIGHT - 0"	0 lb
P2) 36" x 36" - CB FLAT TOP 8"W w/24" F/G F/F - 6"	1285 lb
P1) 36" x 36" - BOX BASE 8inW, 8inF F/n - 42"	6291 lb
1) CASTING - JBS 2072 F/G	250 lb
1) 36" x 36" - Conseal CS-102 1.00"	0 lb
1) Hole - 20	0 lb
1) Hole - 8	0 lb
1) Weir n/n - 12"x30"	0 lb
Structure Total:	7826 lb



Position	Elev	Angle	Pipe	Pipe OD	Hole	Connector	Up (L)	Ref
Rim	735.5'							
Reducer								
Invert 1	731.5'	0°	15" HDPE	17.6"	20"	Hole 20	-1.3"	P1
Invert 2	731.5'	180°	6" PVC SDR35	6.25"	8"	Hole 8	-0.125"	P1
Invert 3	732.5'	180°	12" x 30" Weir	12" x 30"	12" x 30"	Weir 12"x30"	12"	P1
Invert 4								
Invert 5								
Invert 6								
Invert 7								
Invert 8								



Cast (Int. Dim.) - Interior Dimensions

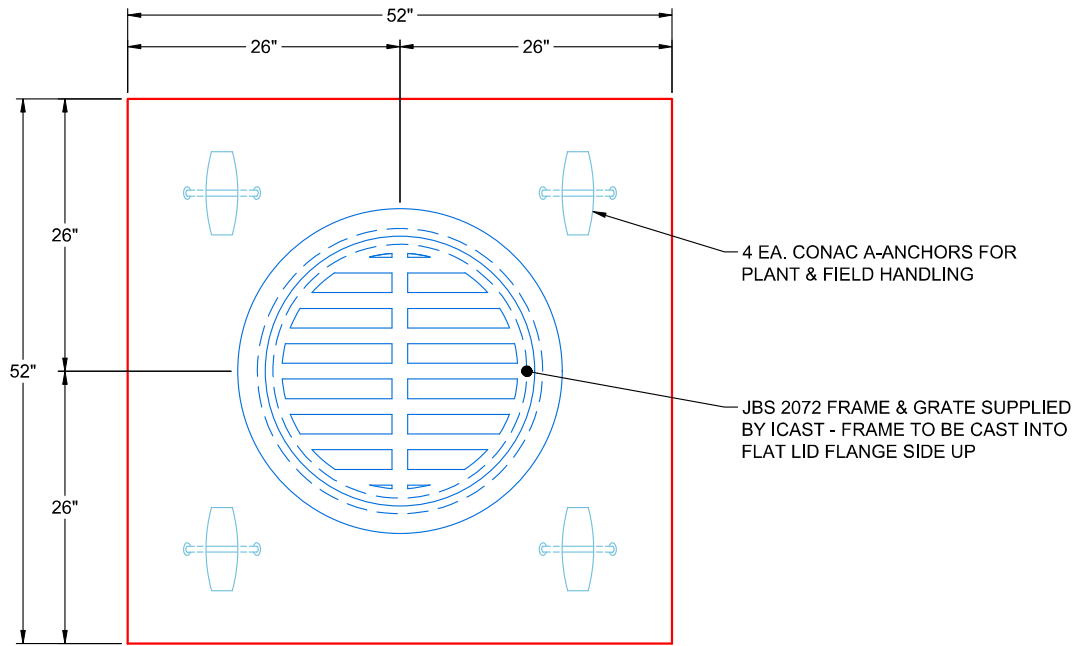


Submittal Drawing
 2/12/2026 8:30:26 AM

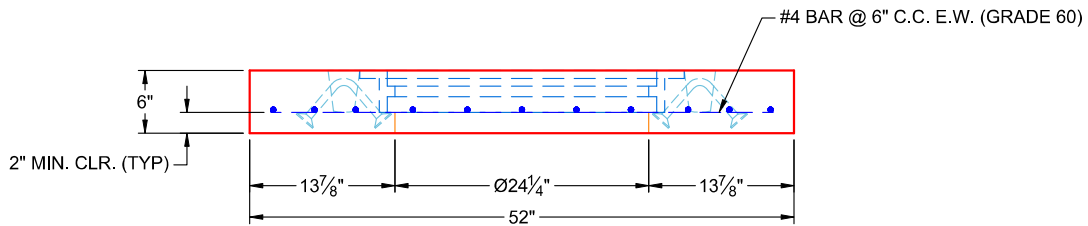
SUBMITTAL
 APPROVED BY:

GENERAL NOTES:


1. PER ASTM C-913 SPECIFICATIONS
2. CONCRETE: 4,500 PSI AT 28 DAYS
3. REINFORCEMENT: #4 BAR @ 6" C.C. E.W. (GRADE 60)
4. WEIGHT: 1,285 LBS
5. JBS 2072 FRAME & GRATE SUPPLIED BY ICAST - FRAME TO BE CAST INTO FLAT LID FLANGE SIDE UP



PLAN VIEW



FRONT VIEW

<p>REVISIONS</p> <p>REV. <u>0</u> DATE: NO REVISIONS TO DATE</p>			SUBMITTAL DRAWING: 52" X 52" X 6" FLAT LID SPECIAL		
			CUSTOMER: CORE & MAIN LP (BG)		
			PROJECT: FRED WHITE BLVD BOAT AND RV		
			STRUCTURE: 54454 (3)		
			SALES ORDER NO: 25-4454		
			CHECKED BY: B. SMITH	DRAWN BY: K. CARDWELL	
			DATE: 02/12/26	SCALE: NTS	PG. 1 OF 1