

**Job Name: 25-4448 Chipotle Frankfort**  
**Job Location: Frankfort, KY**  
**Contractor: Lagco Inc.**

PC: C. Goff  
 TECH: S. Felletter  
 Plant: Beaver Dam



Structure ID: **ST-5 (6)**  
 Spec: Storm  
 Type: STM.MH  
 Size: 48"

Rim: 751.85'  
 Invert: 747.24'  
 Rim to Invert: 4.61'

Sump: 1.25"  
 Floor (Top): 747.136'  
 Floor Height: 6"

Floor (Bot): 746.636'  
 Overall Height: 5.146'  
 Slack: 0.82"

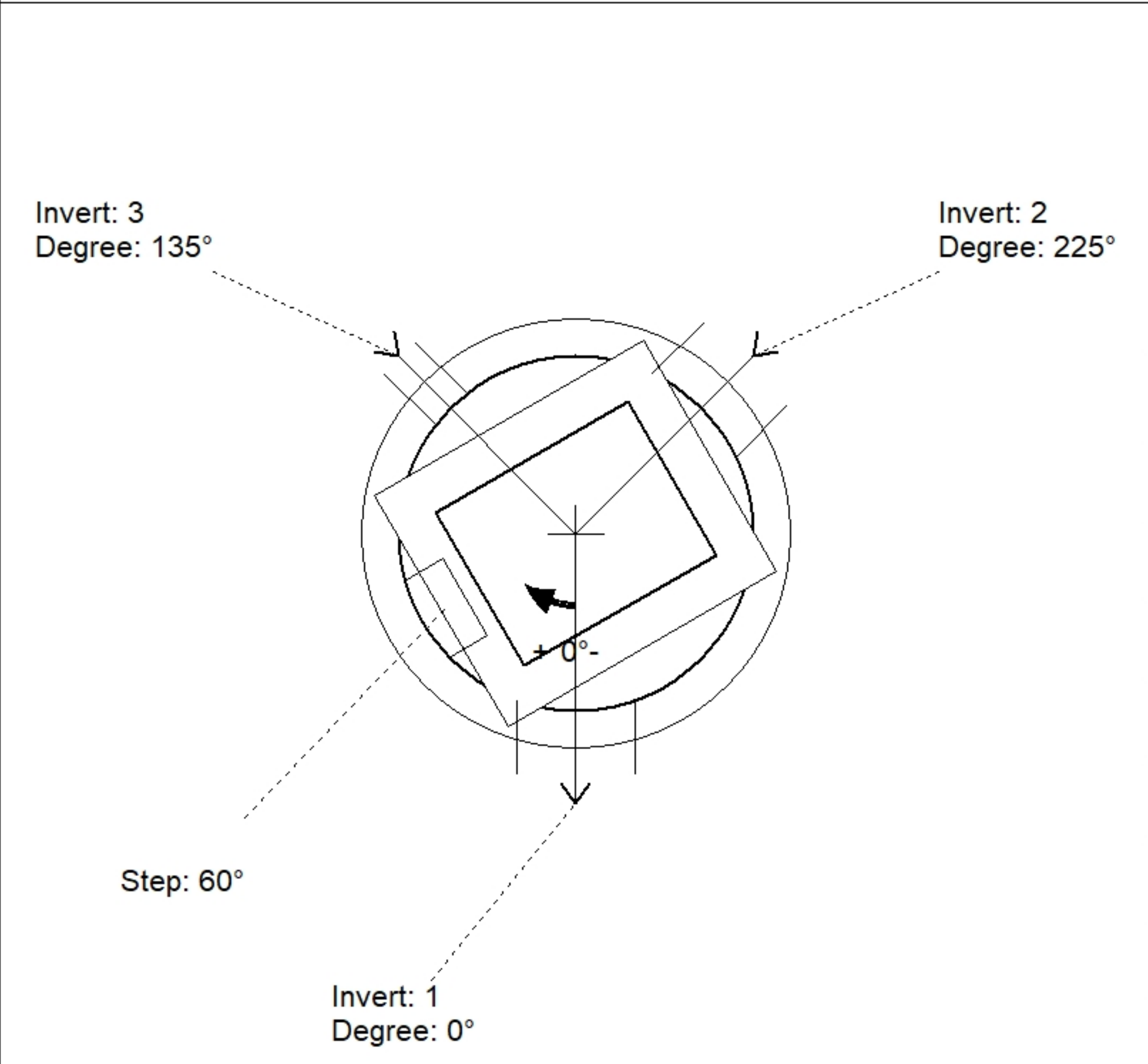
**Structure Notes:**

- PER ASTM C478 SPECIFICATIONS.
- CONCRETE = 4,000 PSI AT 28 DAYS.
- REINFORCING PER ASTM A615 (GRADE 60).  
 - TOP SLAB (As .62) #5 BARS AT 6" C.C.E.W..  
 - RISER/WALLS (As .12)  
 - FLOOR (As .31) #5 BARS AT 12" C.C.E.W.
- CASTING HOE KY-460-11 BY ICAST.

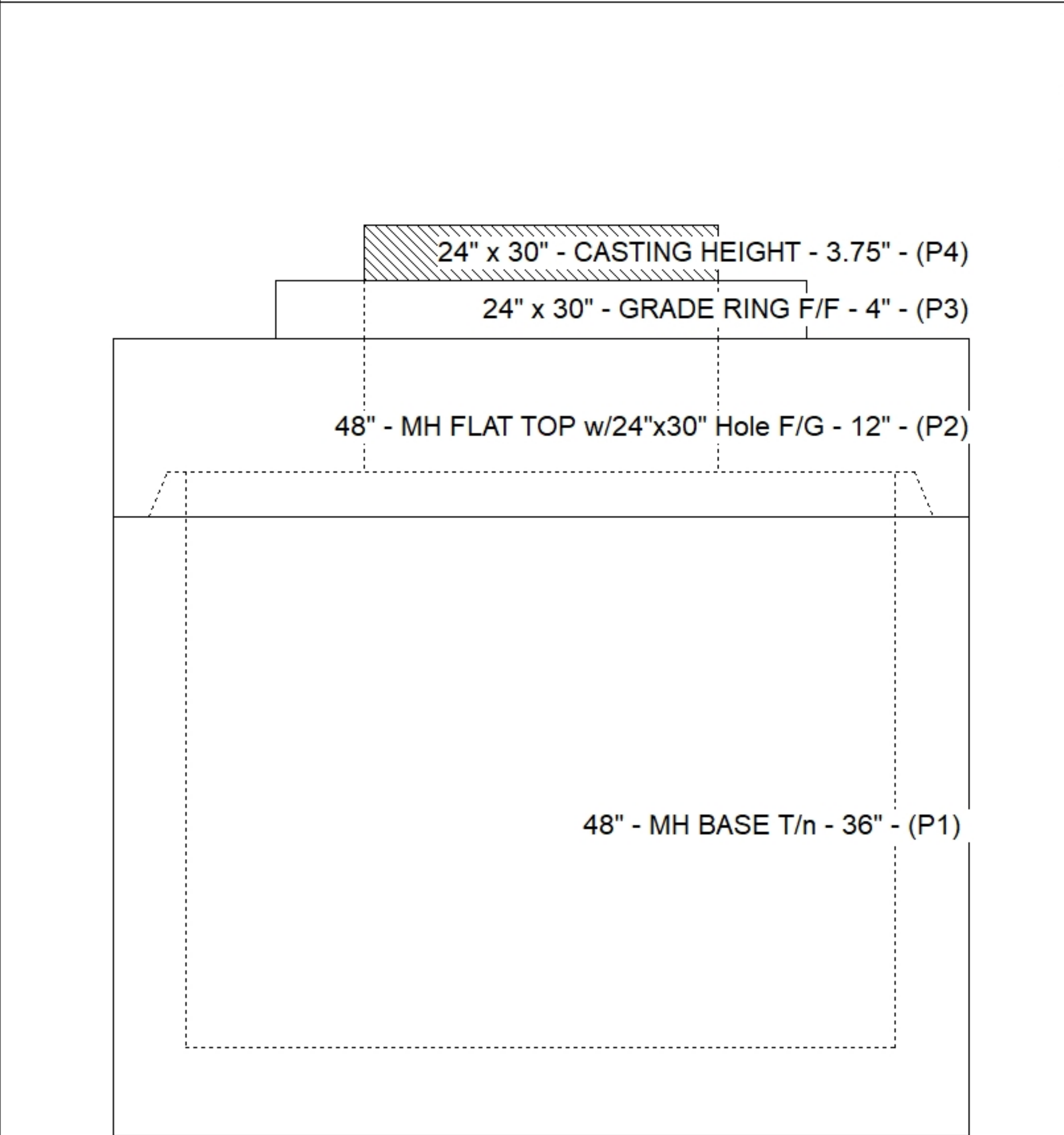
SEE RFI

**STRUCTURE SUMMARY:**

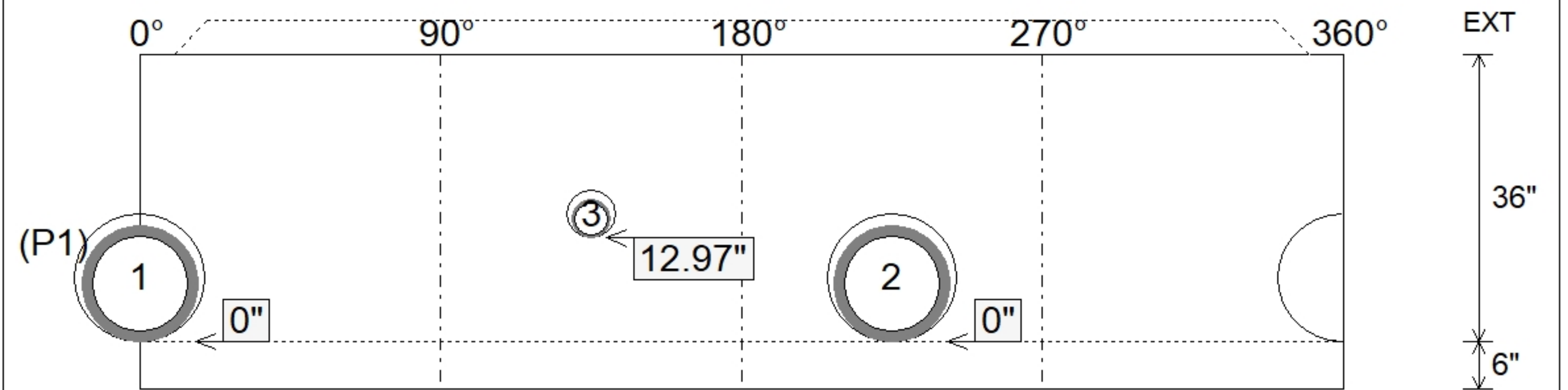
P4) 24" x 30" - CASTING HEIGHT - 3.75"	0 lb
P3) 24" x 30" - GRADE RING F/F - 4"	266 lb
P2) 48" - MH FLAT TOP w/24"x30" Hole F/G - 12"	1935 lb
P1) 48" - MH BASE T/n - 36"	3662 lb
1) 48" - Conseal CS-102 1.00"	0 lb
2) 24" x 30" - Conseal CS-102 1.00"	0 lb
2) Hole - 16	0 lb
1) Hole - 6	0 lb
3) MH Step ML-10-TDS-NCR - 10"	0 lb
<b>Structure Total:</b>	<b>5863 lb</b>



Position	Elev	Angle	Pipe	Pipe OD	Hole	Connector	Up ( )	Ref
Rim	751.85'							
Reducer								
Invert 1	747.24'	0°	12" HDPE	14.5"	16"	Hole 16	0"	P1
Invert 2	747.24'	225°	12" HDPE	14.5"	16"	Hole 16	0"	P1
Invert 3	748.25'	135°	4" HDPE (perf pipe)	4.8"	6"	Hole 6	12.97"	P1
Invert 4								
Invert 5								
Invert 6								
Invert 7								
Invert 8								



**Default - Interior Dimensions**



Submittal Drawing  
 2/6/2026 12:25:13 PM

SUBMITTAL  
 APPROVED BY: