

Job Name: 25-4448 Chipotle Frankfort
 Job Location: Frankfort, KY
 Contractor: Lagco Inc.

Plant: Beaver Dam
 2/5/2026 3:58:36 PM

Tech: S. Felletter
 PC: C. Goff



Structure ID: ST-5 (6)

P2 MH048LD12-24X30RECT

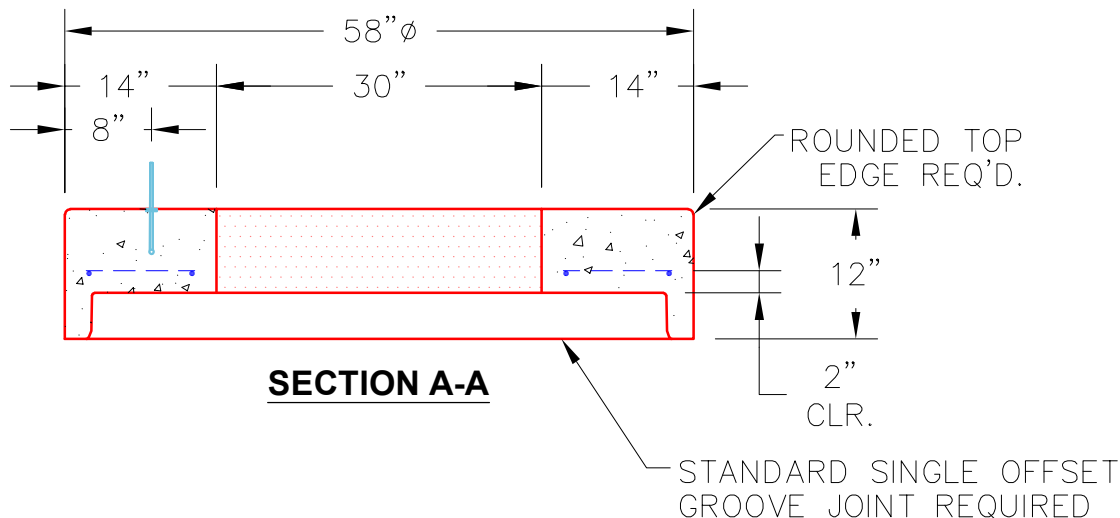
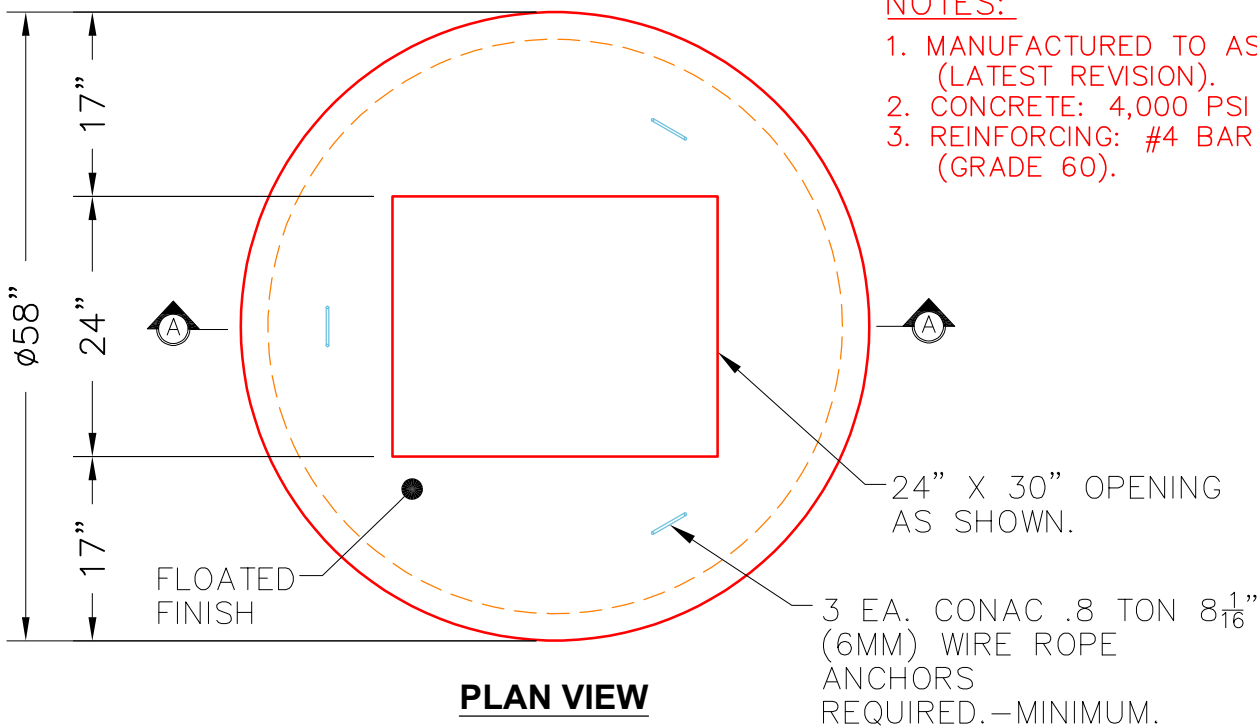
MH FLAT TOP w/24"x30" Hole F/G

- P4) 24" x 30" - CASTING HEIGHT - 3.75"
- P3) 24" x 30" - GRADE RING F/F - 4"
- P2) 48" - MH FLAT TOP w/24"x30" Hole F/G - 12"
- P1) 48" - MH BASE T/n - 36"
- 1) 48" - Conseal CS-102 1.00"
- 2) 24" x 30" - Conseal CS-102 1.00"
- 2) Hole - 16
- 1) Hole - 6
- 3) MH Step ML-10-TDS-NCR - 10"

- Structure Notes:**
1. PER ASTM C478 SPECIFICATIONS.
 2. CONCRETE = 4,000 PSI AT 28 DAYS.
 3. REINFORCING PER ASTM A615 (GRADE 60).
 - TOP SLAB (As .62) #5 BARS AT 6" C.C.E.W..
 - RISER/WALLS (As .12)
 - FLOOR (As .31) #5 BARS AT 12" C.C.E.W.
 4. CASTING HOE KY-460-11 BY ICAST.

Structure Total: 5863 lb

SEE RFI



Coating (Int):
 Coating (Ext):

Seam Up: Flat
 Seam Dn: Groove

Wall Thickness: 5"

Height (Ext): 12"

Weight (Net): 1935 lb
 Volume (Net): 0.49cu.yd