

**Structure ID: ST-5 (6)**

**P1 MH048BA36 MH BASE T/n**

P4) 24" x 30" - CASTING HEIGHT - 3.75" P3) 24" x 30" - GRADE RING F/F - 4" P2) 48" - MH FLAT TOP w/24"x30" Hole F/G - 12" P1) 48" - MH BASE T/n - 36" 1) 48" - Conseal CS-102 1.00" 2) 24" x 30" - Conseal CS-102 1.00" 2) Hole - 16 1) Hole - 6 3) MH Step ML-10-TDS-NCR - 10"	0 lb 266 lb 1935 lb 3662 lb 0 lb 0 lb 0 lb 0 lb 0 lb 0 lb ----- Structure Total: 5863 lb
---	---

**Structure Notes:**

1. PER ASTM C478 SPECIFICATIONS.
2. CONCRETE = 4,000 PSI AT 28 DAYS.
3. REINFORCING PER ASTM A615 (GRADE 60).  
 - TOP SLAB (As .62) #5 BARS AT 6" C.C.E.W..  
 - RISER/WALLS (As .12)  
 - FLOOR (As .31) #5 BARS AT 12" C.C.E.W.
4. CASTING HOE KY-460-11 BY ICAST.

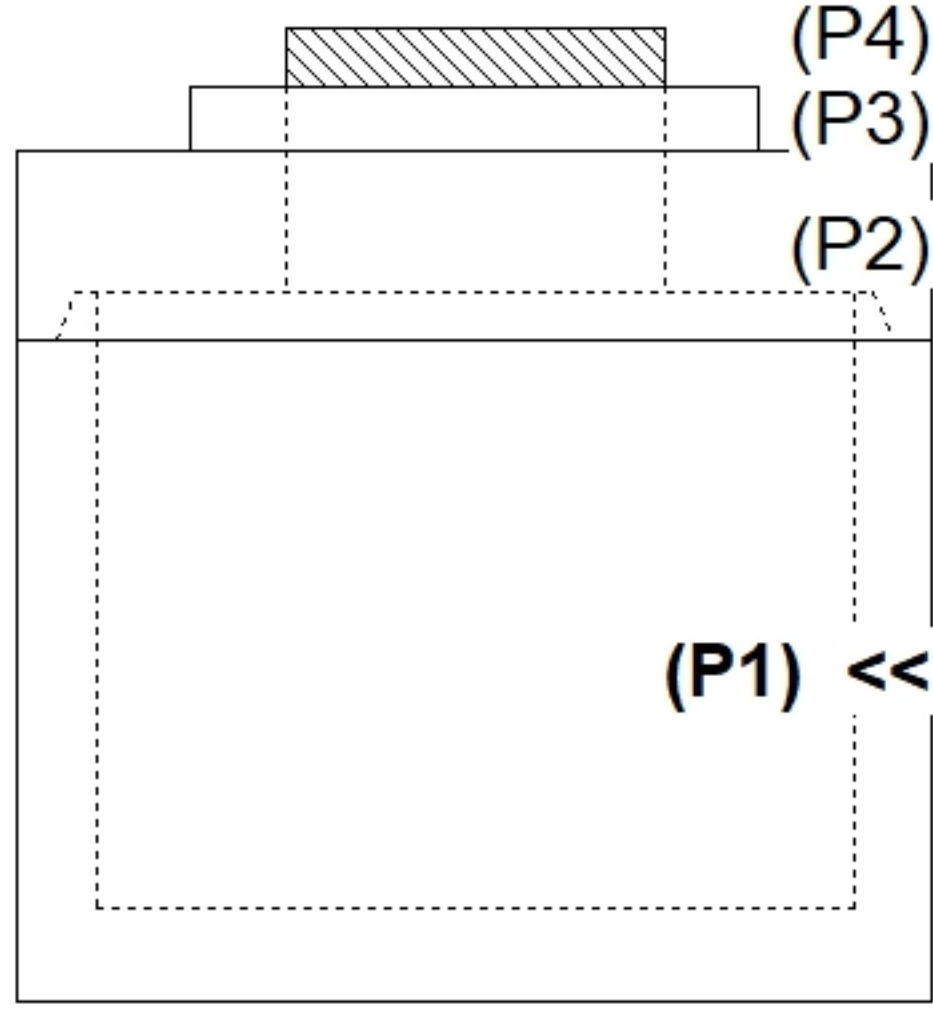
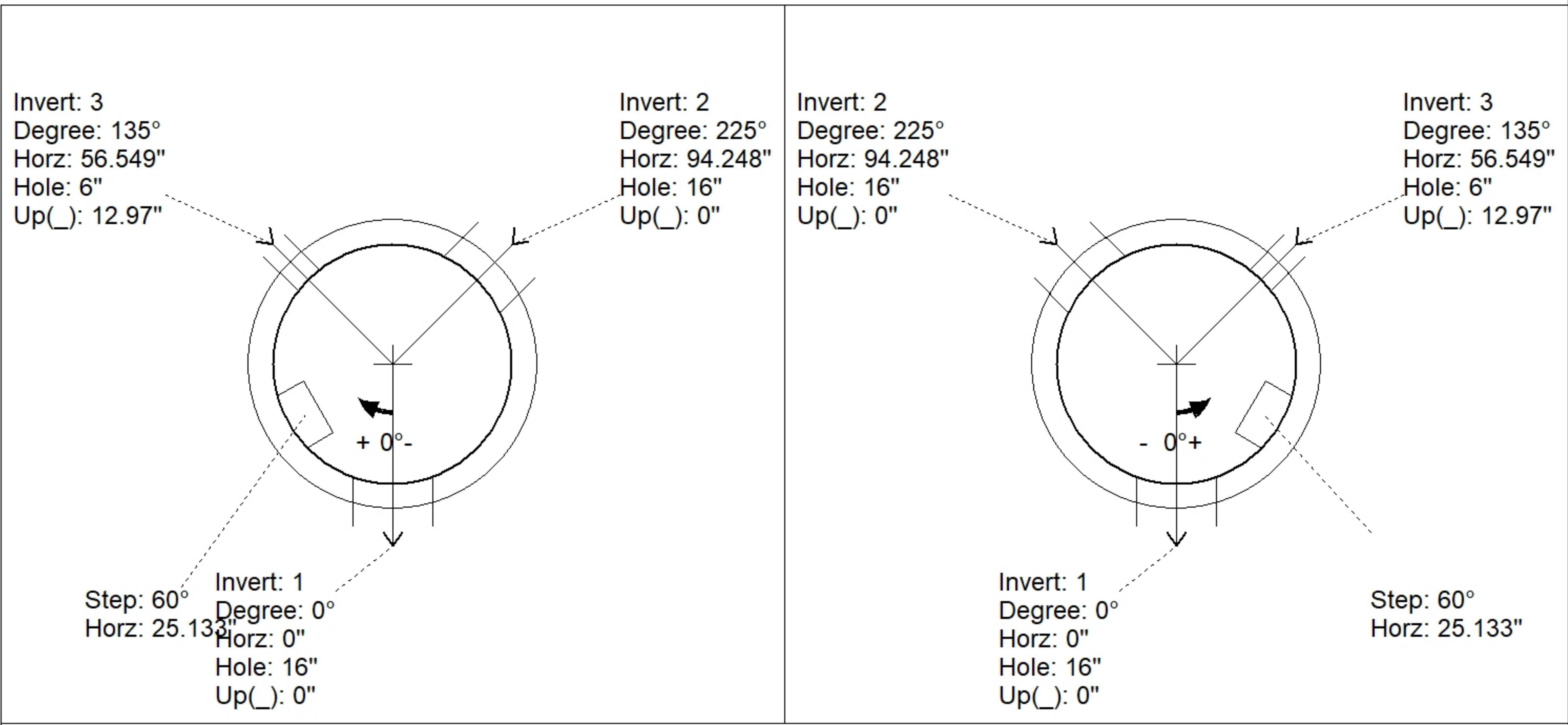
SEE RFI

Rim: 751.85' Rim to Invert: 4.61' Slack: 0.82" Sump: 1.25" Step Position: 60°

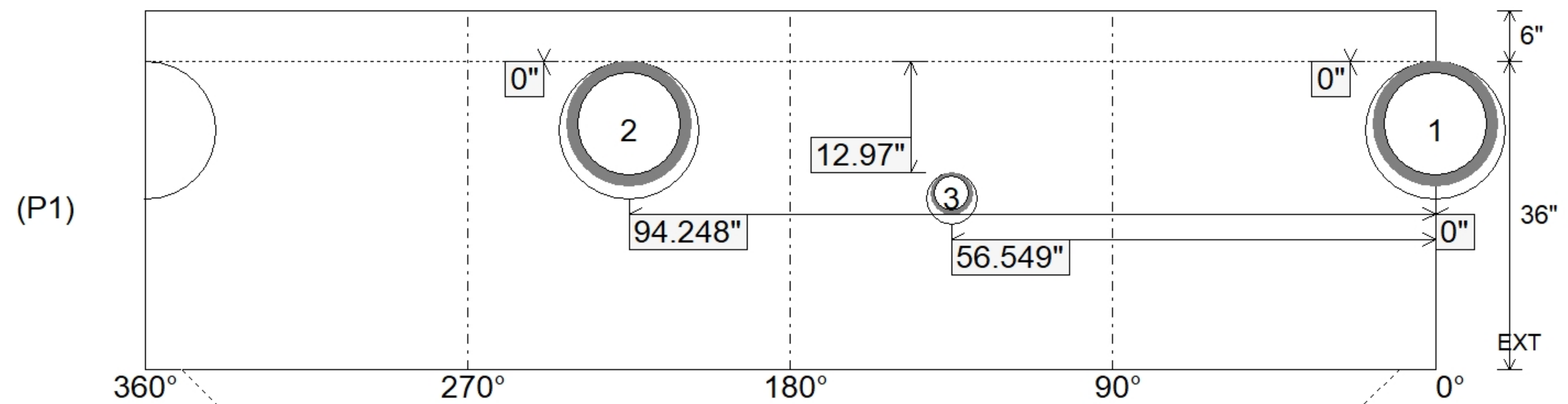
Position	Elev	Angle	Ext. (cw)	Pipe	Pipe OD	Connector	Hole	Horz Size	Up ( )	Offset
Invert 1	747.24'	0°	0"	12" HDPE	14.5"	Hole 16	16"	16.312"	0"	0"
Invert 2	747.24'	225°	113.883"	12" HDPE	14.5"	Hole 16	16"	16.312"	0"	0"
Invert 3	748.25'	135°	68.33"	4" HDPE (perf pipe)	4.8"	Hole 6	6"	6.016"	12.97"	0"
Invert 4										
Invert 5										
Invert 6										
Invert 7										
Invert 8										

RIGHT-SIDE UP VIEW (int. dimensions)

UPSIDE-DOWN VIEW (int. dimensions)



INSIDE WALL DIMENSIONS



Coating (Int): Coating (Ext):	Seam Up: Tongue Seam Dn: n/a	Wall Thickness: 5" Floor Height: 6"	Height (Int): 36" Height (Ext): 42"	Weight (Net): 3662 lb Volume (Net): 0.94cu.yd
----------------------------------	---------------------------------	--	--	--