

Job Name: 25-4448 Chipotle Frankfort  
 Job Location: Frankfort, KY  
 Contractor: Lagco Inc.

Plant: Beaver Dam  
 2/6/2026 12:25:25 PM

Tech: S. Felletter  
 PC: C. Goff



**Structure ID: ST-3 (4)**

**P1 MH048BAVF**

**MH BASE Custom Ht F/n**

- P3) 24" x 30" - CASTING HEIGHT - 3.75"
- P2) 48" - MH FLAT TOP w/24"x30" Hole F/F - 7"
- P1) 48" - MH BASE Custom Ht F/n - 26"
- 1) 48" - Conseal CS-102 1.00"
- 1) 24" x 30" - Conseal CS-102 1.00"
- 2) Hole - 16

0 lb  
 1129 lb  
 2881 lb  
 0 lb  
 0 lb  
 0 lb  
 -----  
 Structure Total: 4010 lb

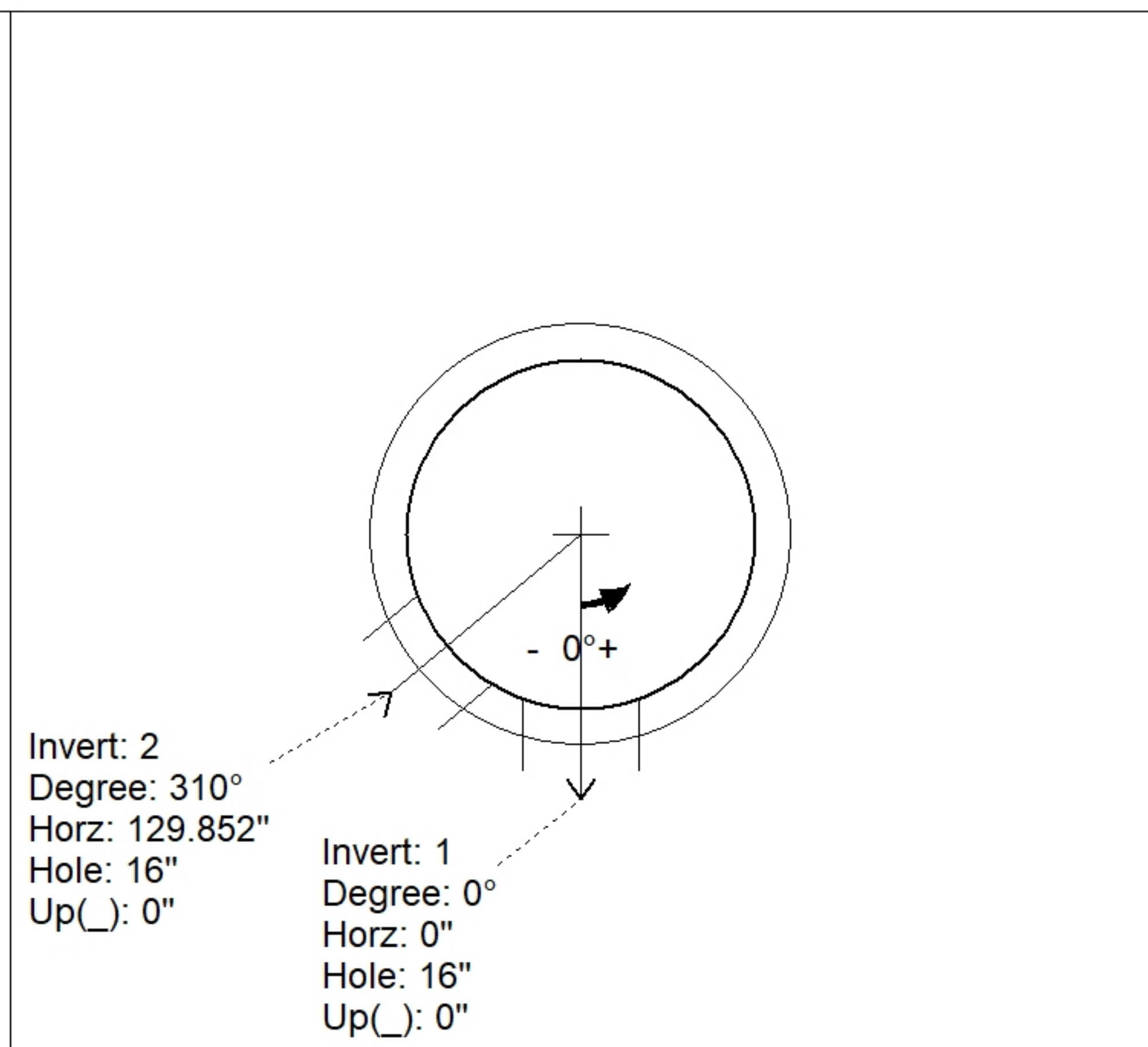
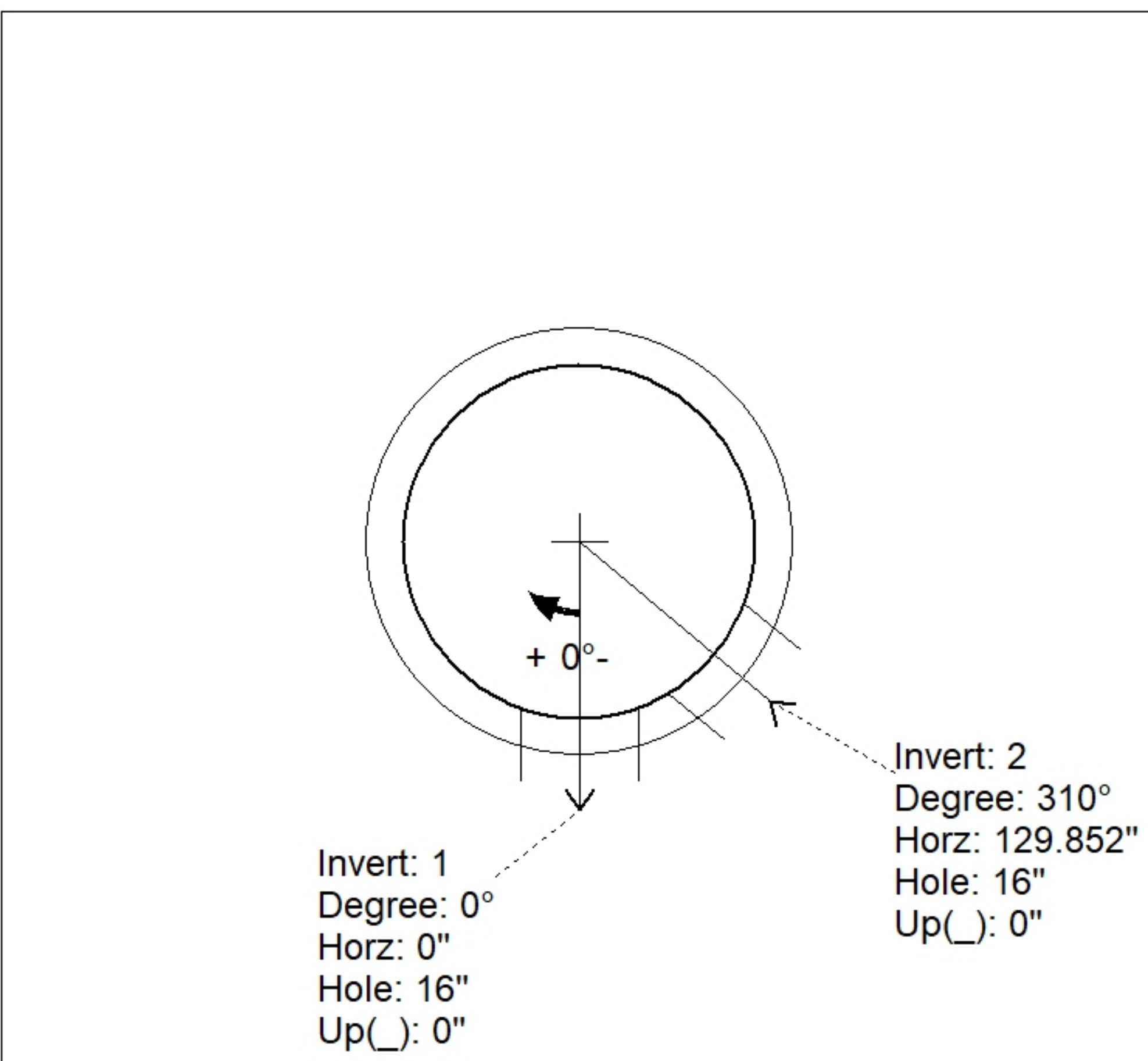
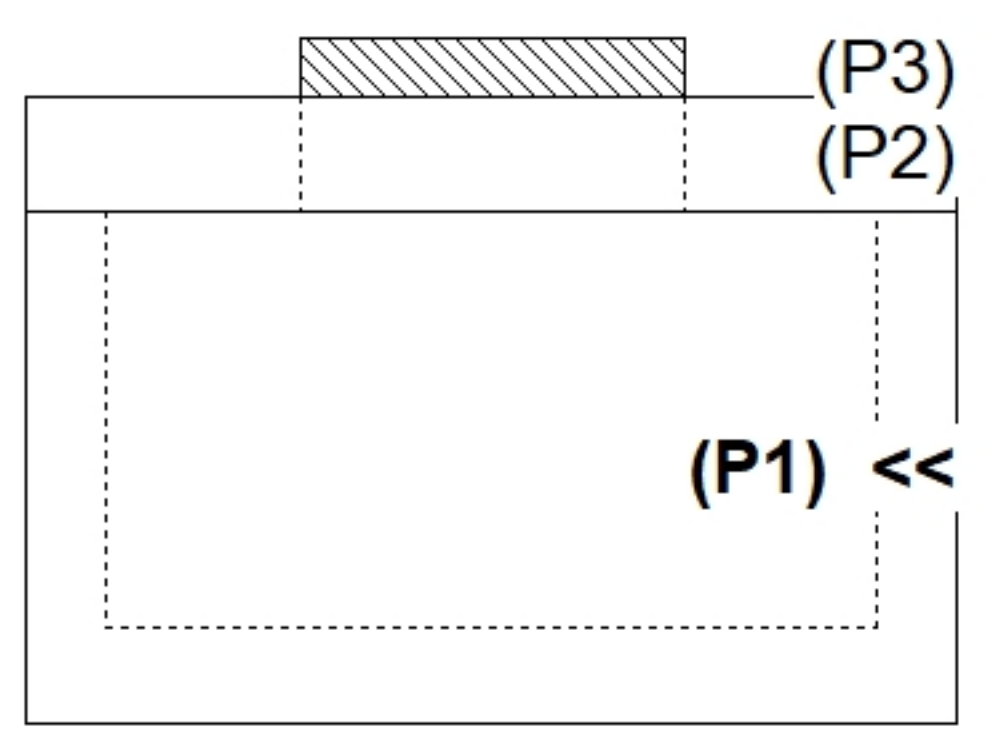
- Structure Notes:**
1. PER ASTM C478 SPECIFICATIONS.
  2. CONCRETE = 4,000 PSI AT 28 DAYS.
  3. NO INVERT CHANNEL.
  4. REINFORCING PER ASTM A615 (GRADE 60).  
 - TOP SLAB (As .62) #5 BARS AT 6" C.C.E.W..  
 - RISER/WALLS (As .12)  
 - FLOOR (As .31) #5 BARS AT 12" C.C.E.W.
  5. CASTING HOE KY-460-11 BY ICAST.

Rim: 751.5' Rim to Invert: 3.04' Slack: 0.98' Sump: 1.25' Step Position:

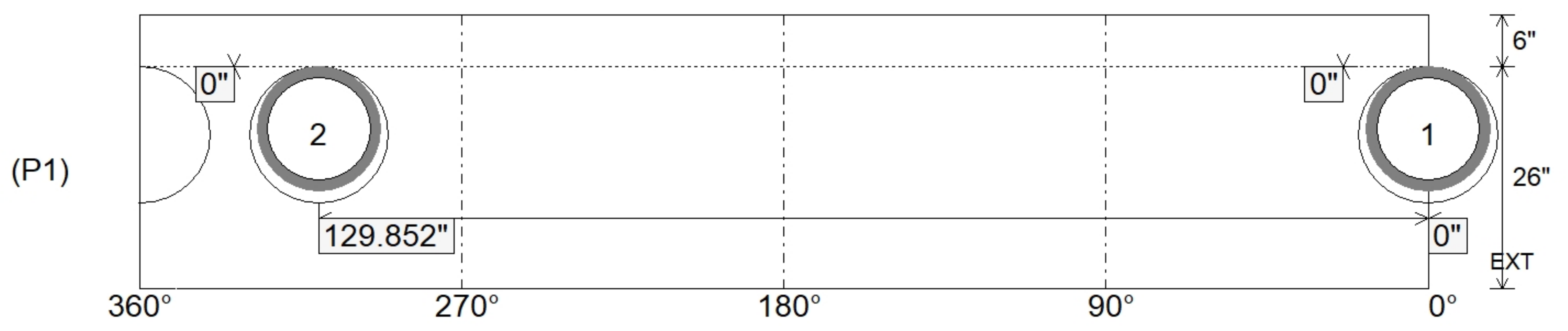
Position	Elev	Angle	Ext. (cw)	Pipe	Pipe OD	Connector	Hole	Horz Size	Up ( )	Offset
Invert 1	748.46'	0°	0"	12" HDPE	14.5"	Hole 16	16"	16.312", 6.569"	0"	0"
Invert 2	748.46'	310°	156.905"	12" HDPE	14.5"	Hole 16	16"	16.312", 23.955"	0"	0"
Invert 3										
Invert 4										
Invert 5										
Invert 6										
Invert 7										
Invert 8										

RIGHT-SIDE UP VIEW (int. dimensions)

UPSIDE-DOWN VIEW (int. dimensions)



INSIDE WALL DIMENSIONS



Coating (Int): Coating (Ext):	Seam Up: Flat Seam Dn: n/a	Wall Thickness: 5" Floor Height: 6"	Height (Int): 26" Height (Ext): 32"	Weight (Net): 2881 lb Volume (Net): 0.74cu.yd
----------------------------------	-------------------------------	--	--	--