

Job Name: 25-4448 Chipotle Frankfort	Plant: Beaver Dam	Tech: S. Felletter	
Job Location: Frankfort, KY	2/6/2026 12:25:25 PM	PC: C. Goff	
Contractor: Lagco Inc.			

Structure ID: ST-2 (3)

P1 BX2424-08BAVF

BOX BASE 8inW, 8inF, Variable Ht F/n

P2) 24" x 24" - CASTING HEIGHT - 5"	0 lb
P1) 24" x 24" - BOX BASE 8inW, 8inF, Variable Ht F/n - 35"	3791 lb
1) 24" x 24" - Con Seal CS-102 1.00"	0 lb
2) Hole - 16	0 lb
Structure Total:	3791 lb

Structure Notes:

- PER ASTM C913 SPECIFICATIONS.
- CONCRETE = 4,000 PSI AT 28 DAYS.
- NO INVERT CHANNEL.
- CASTING HOE KY-465 TYPE F BY ICAST.

REINFORCING PER ASTM A615 (GRADE 60).

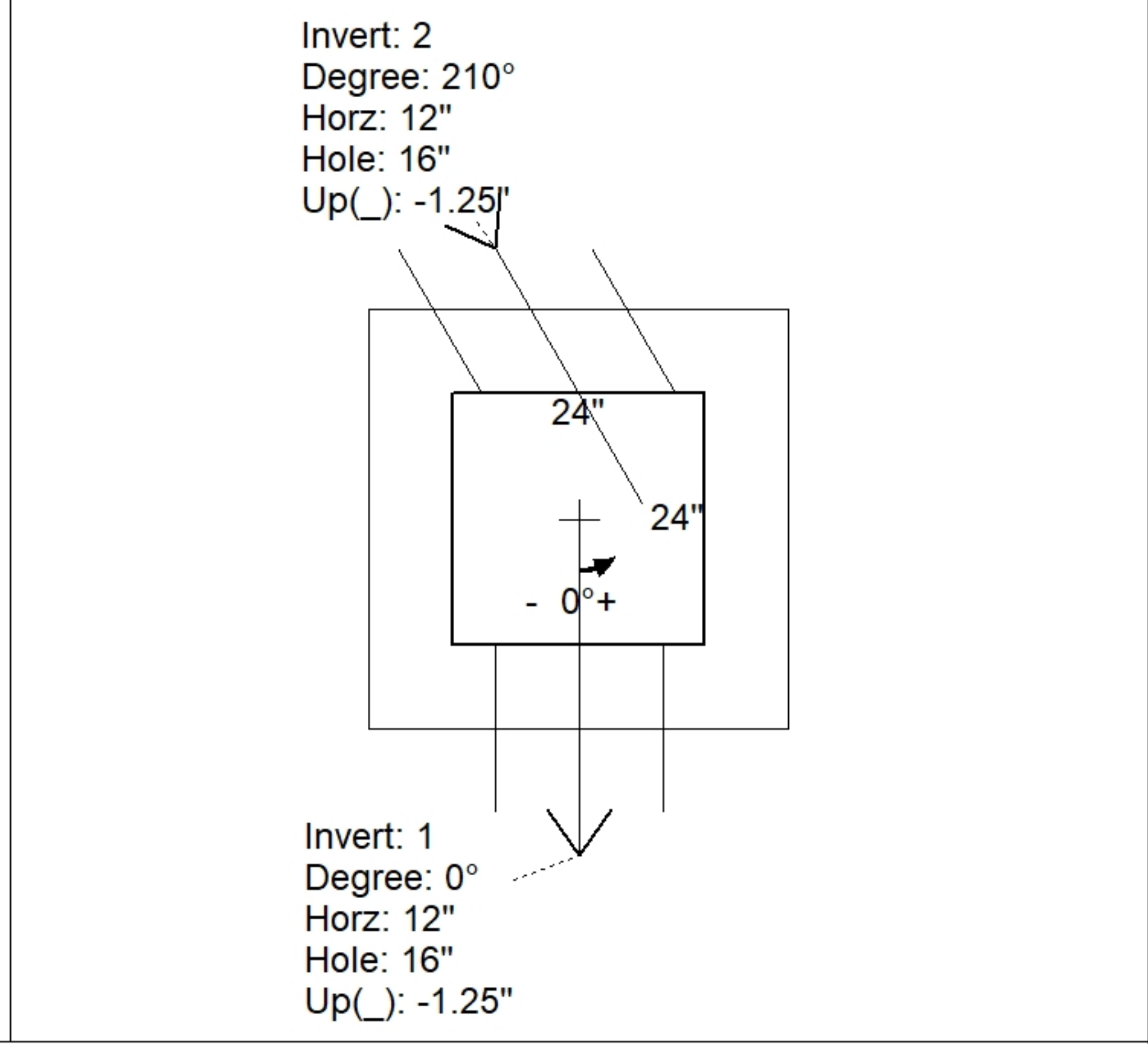
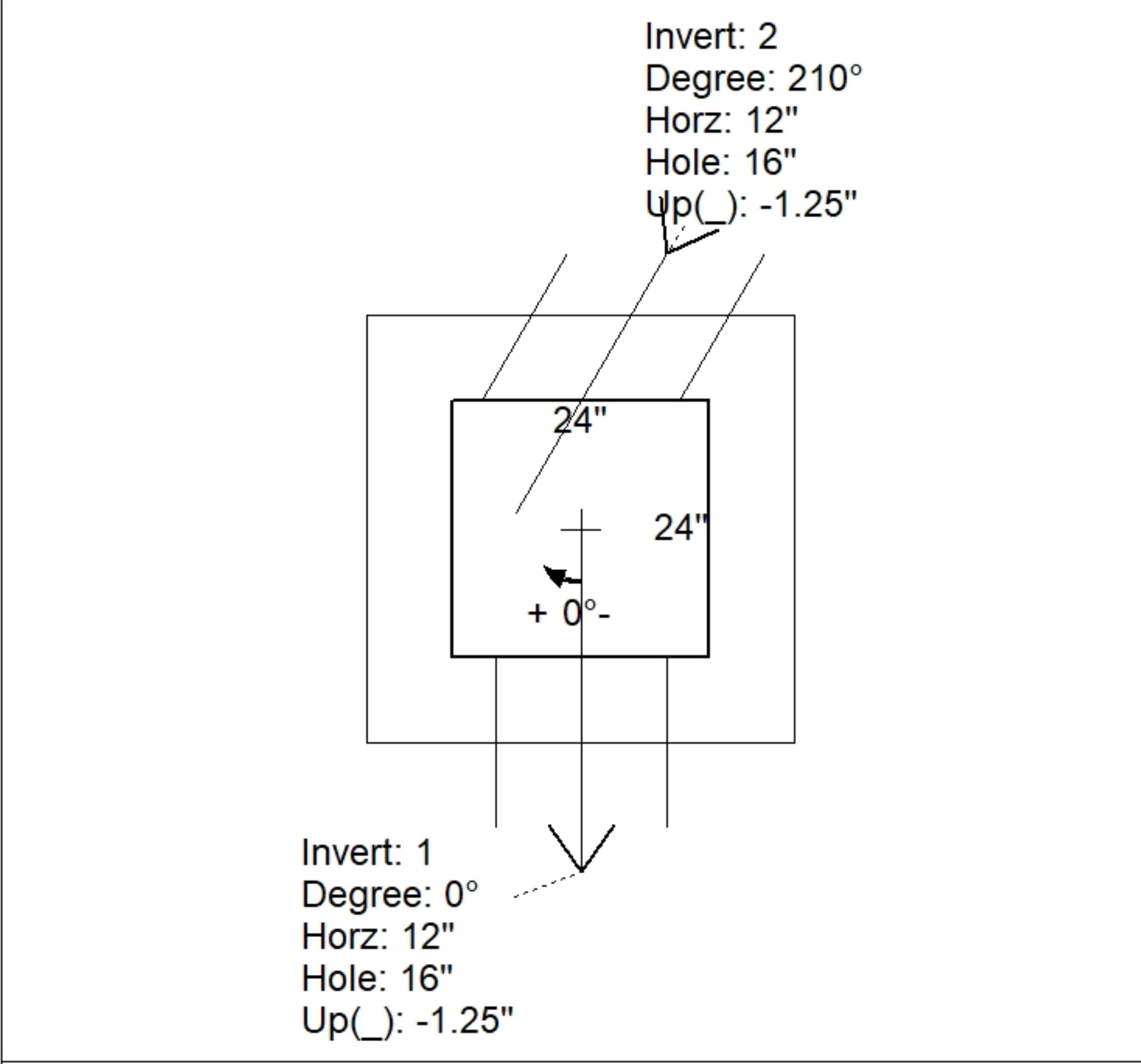
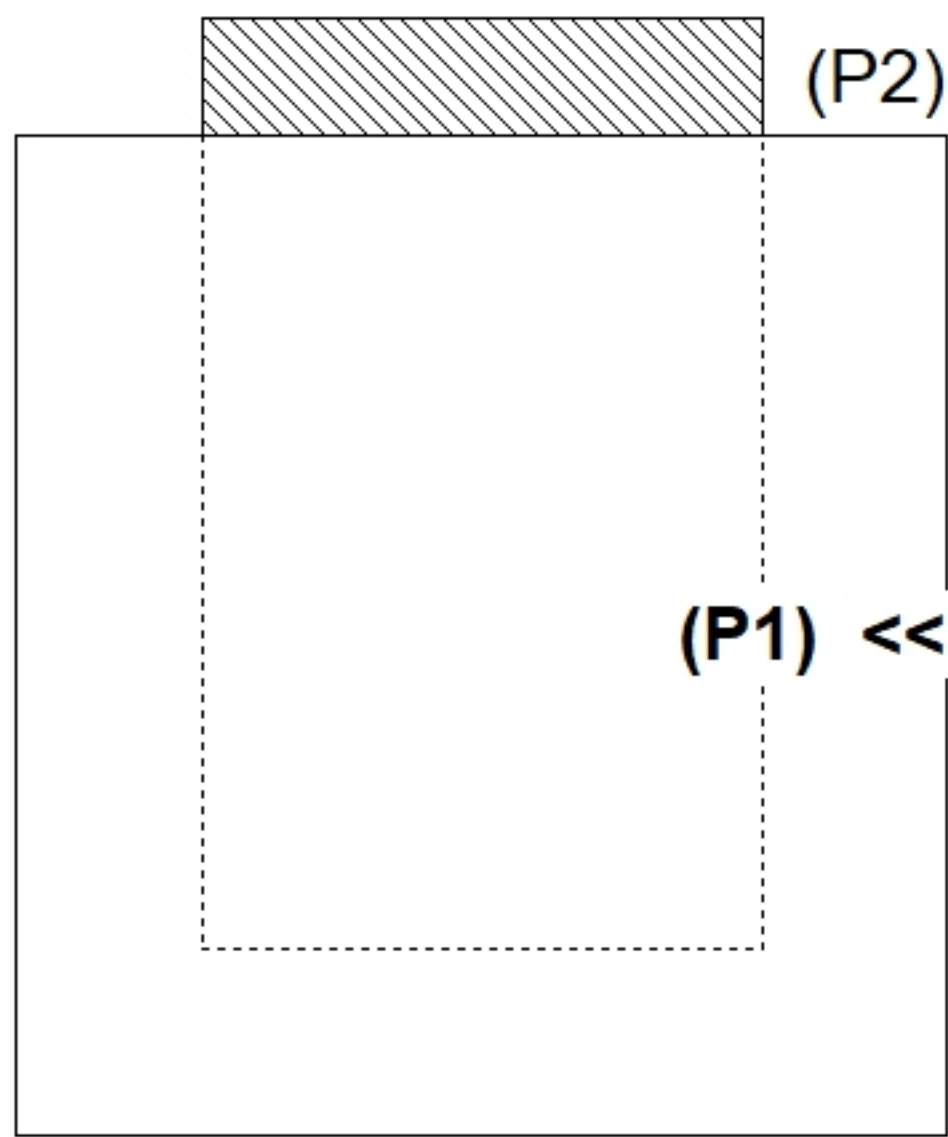
- WALLS (As .12) #5 BARS AT 12" C.C.E.W.
- FLOOR (As .12) #5 BARS AT 12" C.C.E.W.

Rim: 752.79' Rim to Invert: 3.34' Slack: 0.08" Sump: 0" Step Position:

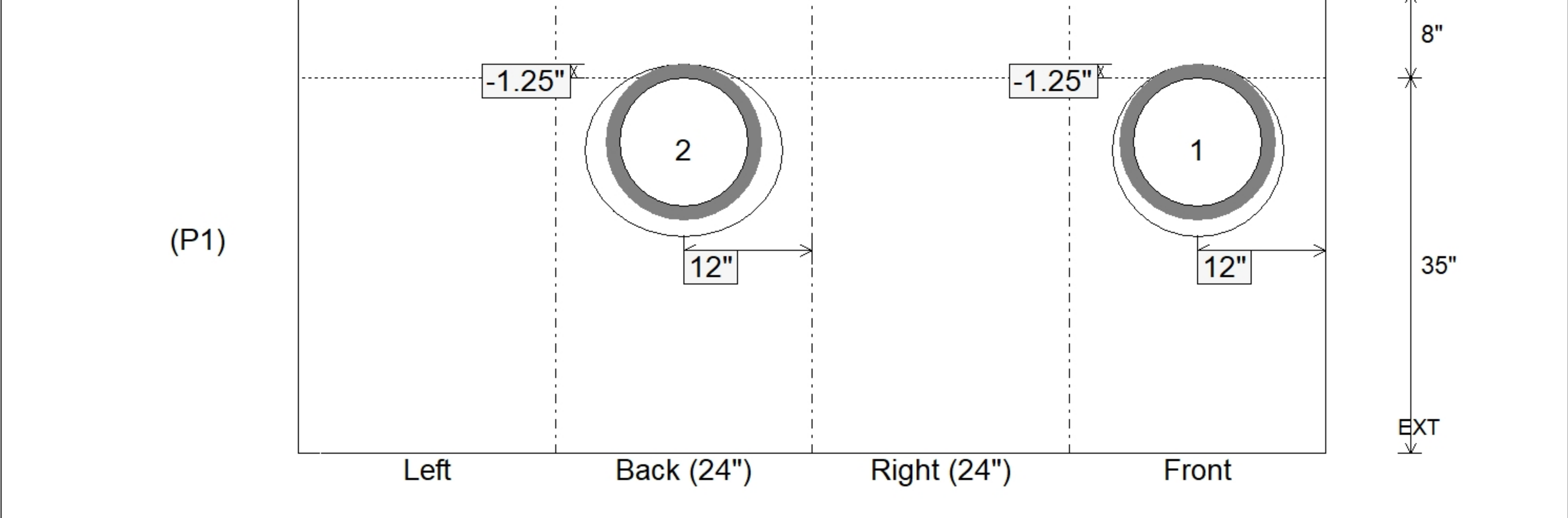
Position	Elev	Angle	Ext. (cw)	Pipe	Pipe OD	Connector	Hole	Horz Size	Up ()	Offset
Invert 1	749.45'	0°	20"	12" HDPE	14.5"	Hole 16	16"	16"	-1.25"	0"
Invert 2	749.45'	210°	24.619"	12" HDPE	14.5"	Hole 16	16"	18.475"	-1.25"	-6"
Invert 3										
Invert 4										
Invert 5										
Invert 6										
Invert 7										
Invert 8										

RIGHT-SIDE UP VIEW (int. dimensions)

UPSIDE-DOWN VIEW (int. dimensions)



INSIDE WALL DIMENSIONS



Coating (Int):	Seam Up: Flat	Wall Thickness: 8"	Height (Int): 35"	Weight (Net): 3791 lb
Coating (Ext):	Seam Dn: n/a	Floor Height: 8"	Height (Ext): 43"	Volume (Net): 0.97cu.yd