

Job Name: 25-4448 Chipotle Frankfort
 Job Location: Frankfort, KY
 Contractor: Lagco Inc.

Plant: Beaver Dam
 2/6/2026 12:25:23 PM

Tech: S. Felletter
 PC: C. Goff



Structure ID: ST-1 (2)

P1 BX2424-08BAVF

BOX BASE 8inW, 8inF, Variable Ht F/n

- P2) 24" x 24" - CASTING HEIGHT - 5"
- P1) 24" x 24" - BOX BASE 8inW, 8inF, Variable Ht F/n - 25"
- 1) 24" x 24" - Con Seal CS-102 1.00"
- 1) Hole - 16

0 lb
 3073 lb
 0 lb
 0 lb

 Structure Total: 3073 lb

Structure Notes:
 1. PER ASTM C913 SPECIFICATIONS.
 2. CONCRETE = 4,000 PSI AT 28 DAYS.
 3. NO INVERT CHANNEL.
 4. CASTING HOE KY-465 TYPE F BY ICAST.

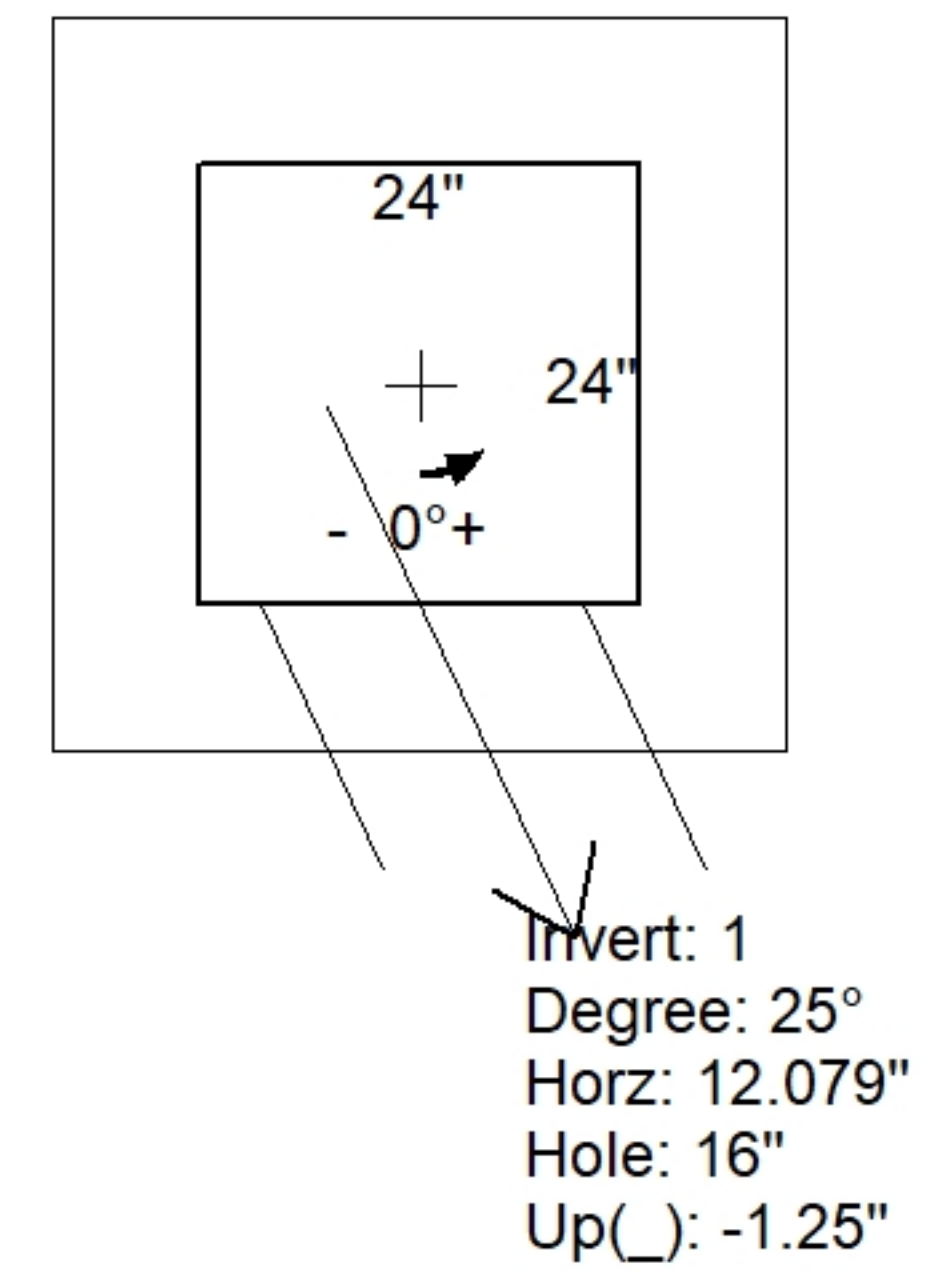
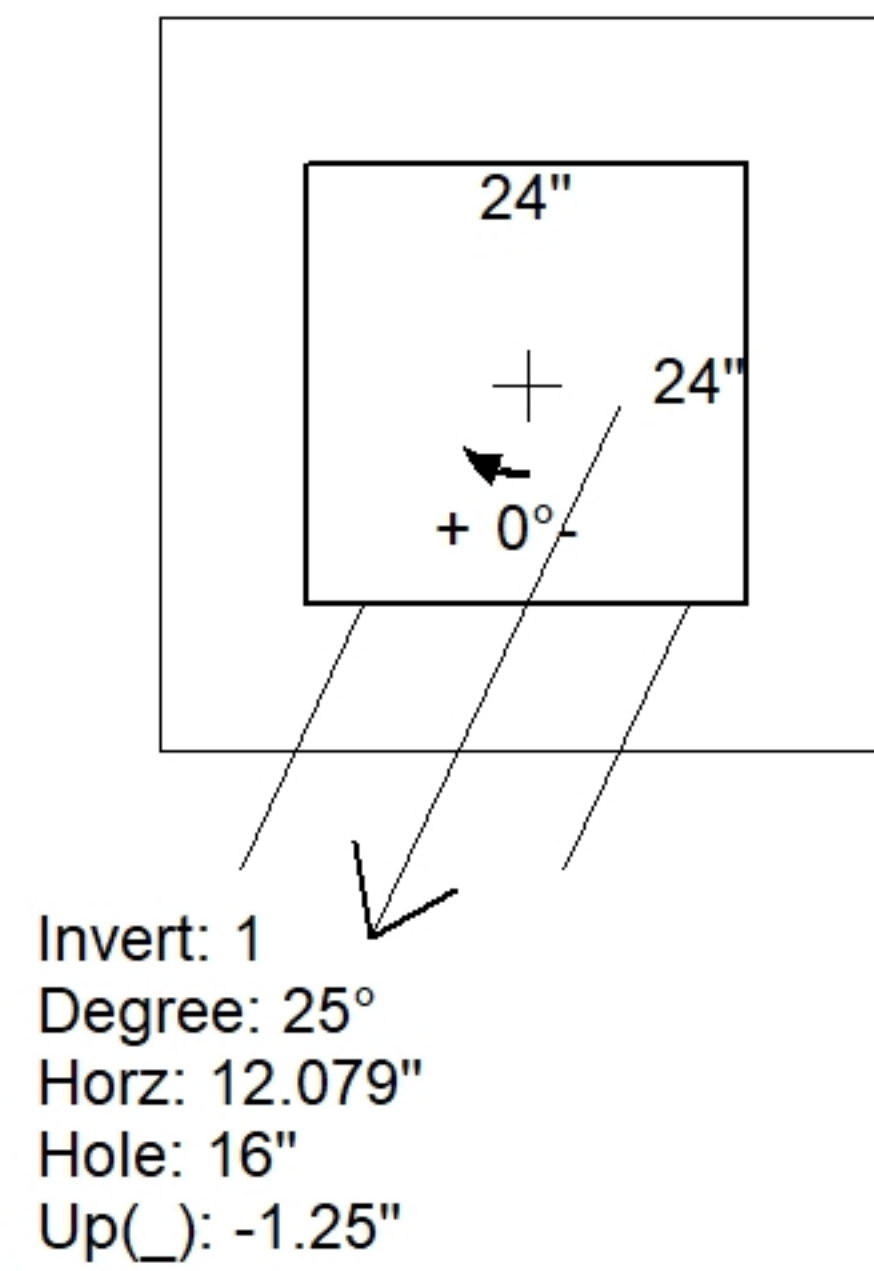
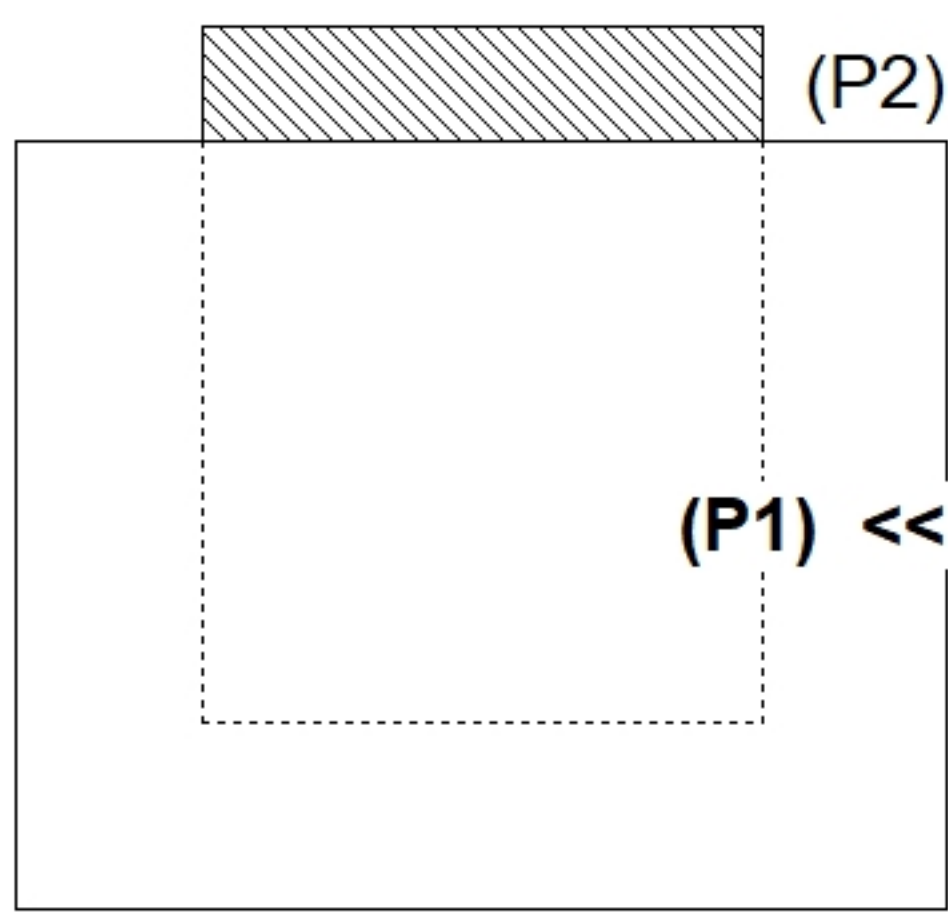
REINFORCING PER ASTM A615 (GRADE 60).
 - WALLS (As .12) #5 BARS AT 12" C.C.E.W.
 - FLOOR (As .12) #5 BARS AT 12" C.C.E.W.

Rim: 752.31' Rim to Invert: 2.5' Slack: 0" Sump: 0" Step Position:

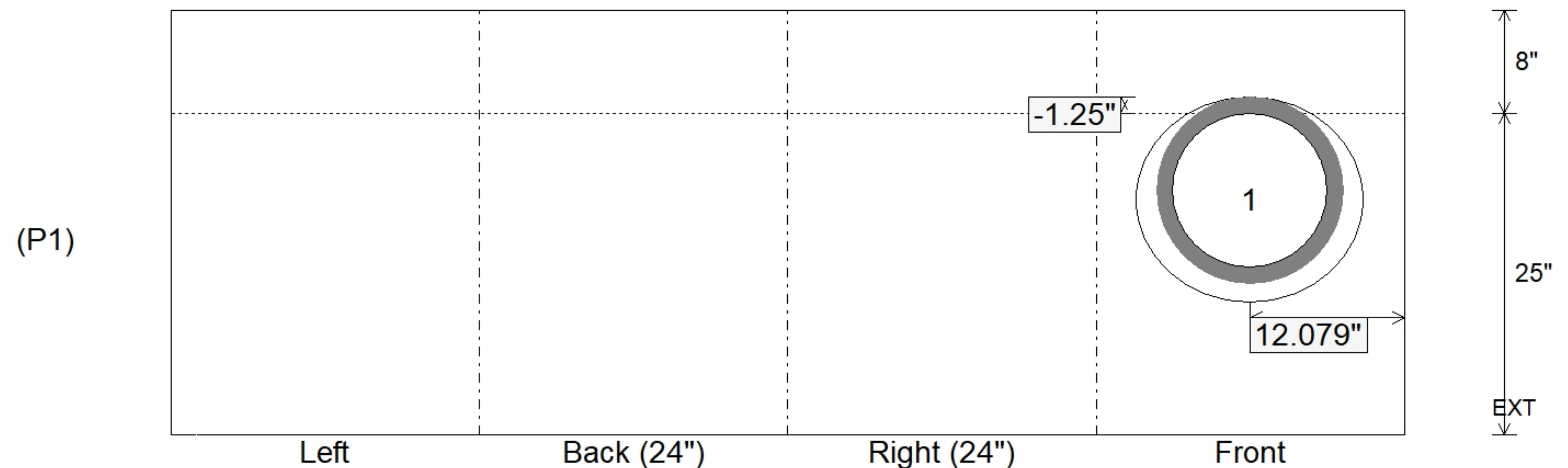
Position	Elev	Angle	Ext. (cw)	Pipe	Pipe OD	Connector	Hole	Horz Size	Up ()	Offset
Invert 1	749.81'	25°	23.809"	12" HDPE	14.5"	Hole 16	16"	17.654"	-1.25"	-5"
Invert 2										
Invert 3										
Invert 4										
Invert 5										
Invert 6										
Invert 7										
Invert 8										

RIGHT-SIDE UP VIEW (int. dimensions)

UPSIDE-DOWN VIEW (int. dimensions)



INSIDE WALL DIMENSIONS



Coating (Int):
 Coating (Ext):

Seam Up: Flat
 Seam Dn: n/a

Wall Thickness: 8"
 Floor Height: 8"

Height (Int): 25"
 Height (Ext): 33"

Weight (Net): 3073 lb
 Volume (Net): 0.78cu.yd