

**Job Name: 25-4438 - Carson St MH**  
**Job Location: CPU**  
**Contractor: Luttrell & Sons, LLC**

PC: T. Lewis  
 TECH: K. Cardwell  
 Plant: Beaver Dam, KY



Structure ID: **54438 (2)**  
 Spec: Sanitary  
 Type: SAN.MH  
 Size: 48"

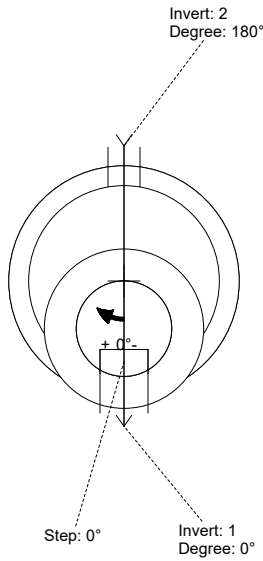
Rim: 4.75'  
 Invert: 0'  
 Rim to Invert: 4.75'

Sump: 2"  
 Floor (Top): -0.167'  
 Floor Height: 6"

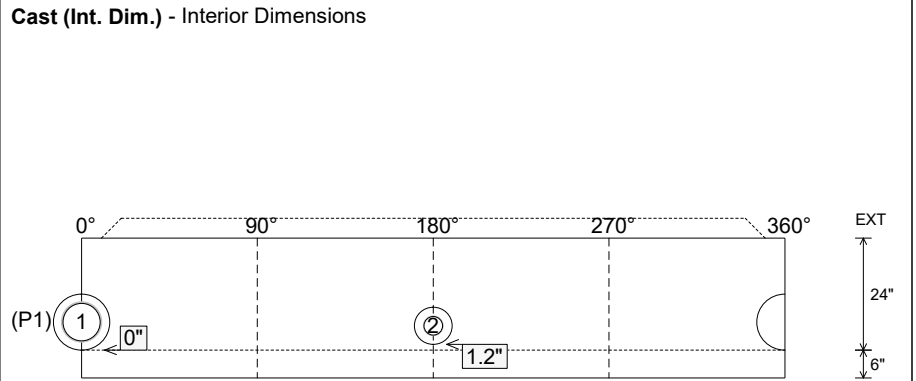
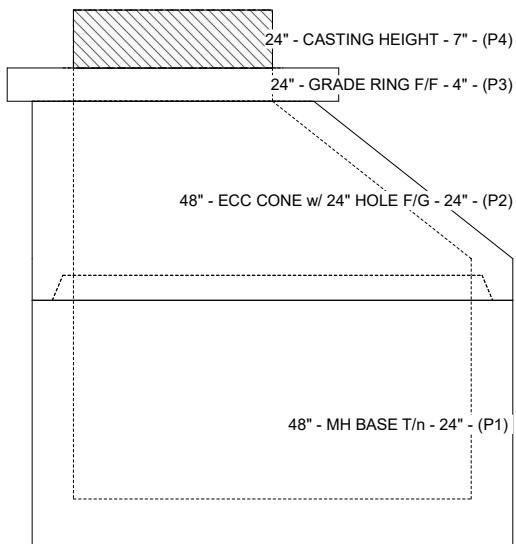
Floor (Bot): -0.667'  
 Overall Height: 5.417'  
 Slack: 0"

- Structure Notes:**
1. PER ASTM C-478 SPECS
  2. CONCRETE: 4,500 PSI AT 28 DAYS
  3. REINFORCEMENT: PER ASTM A615
  4. INVERT CHANNEL REQUIRED
  5. STEPS AT 0 DEGREES
  6. HOE MC-375 FRAME & COVER "SANITARY" SUPPLIED BY ICAST

- STRUCTURE SUMMARY:**
- P4) 24" - CASTING HEIGHT - 7" 0 lb
  - P3) 24" - GRADE RING F/F - 4" 270 lb
  - P2) 48" - ECC CONE w/ 24" HOLE F/G - 24" 1550 lb
  - P1) 48" - MH BASE T/n - 24" 2938 lb
  - 1) JOINT WRAP PRIMER - CONSEAL CS-75 (1 gal.) 0 lb
  - 1) JOINT WRAP - 0.065"x6"x50' CONSEAL CS212 0 lb
  - 1) 48" - MH INVERT CHANNEL - FULL HEIGHT 1440 lb
  - 1) CASTING - HOE MC-375 F/C Sanitary 271 lb
  - 1) 48" - Conseal CS-102 1.00" (Double) 0 lb
  - 1) PSX - 12-08 NYLO 8 lb
  - 1) PSX - 8QRS-S NYLO 6 lb
  - 3) MH Step ML-10-TDS-NCR - 10" 0 lb
- Structure Total: 6483 lb**



Position	Elev	Angle	Pipe	Pipe OD	Hole	Connector	Up (L)	Ref
Rim	4.75'							
Reducer								
Invert 1	0'	0°	8" HDPE DR17	8.625"	12"	PSX 12-08 NYLO	0"	P1
Invert 2	0.1'	180°	4" PVC SDR35	4.25"	8"	PSX 8QRS-S NYLO	1.2"	P1
Invert 3								
Invert 4								
Invert 5								
Invert 6								
Invert 7								
Invert 8								



Submittal Drawing  
 11/15/2025 9:37:50 AM

SUBMITTAL  
 APPROVED BY: