

Job Name: 25-4436 - Chipotle Carriage Gate
Job Location: Richmond, KY 40475
Contractor: Lagco Inc.

PC: Celina Goff
 TECH: J. Horsley - A
 Plant: 100



Structure ID: **ST-5 (6)**

Spec: Storm
 Type: STM.MH (Recessed pipe)
 Size: 48"

Rim: 934.5'
 Invert: 931.05'
 Rim to Invert: 3.45'

Sump: 0"
 Floor (Top): 931.05'
 Floor Height: 6"

Floor (Bot): 930.55'
 Overall Height: 3.917'
 Slack: 0.4"

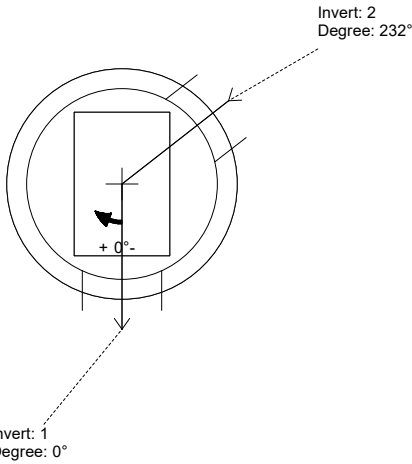
Structure Notes:

- PLAN LABEL: ST5
- 1. PER ASTM C-478 SPECIFICATIONS
- 2. CONCRETE: 4,000 PSI AT 28 DAYS
- 3. REINFORCEMENT:
 - FLAT LID: #4 BAR @ 10" C.C. E.W. (GRADE 60)
 - BASE: PER ASTM A615
- 4. NO STORM INVERT
- 5. NO STEPS
- 6. HOE 525 FRAME, L-VANE GRATE, & CURB HOOD SUPPLIED BY ICAST

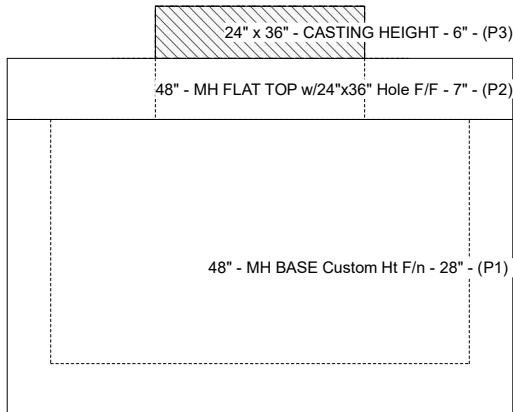
STRUCTURE SUMMARY:

P3) 24" x 36" - CASTING HEIGHT - 6"	0 lb
P2) 48" - MH FLAT TOP w/24"x36" Hole F/F - 7"	1044 lb
P1) 48" - MH BASE Custom Ht F/n - 28"	3016 lb
1) CASTING - HOE 525 LV SET (F/G/H)	442 lb
1) 48" - Conseal CS-102 1.00"	0 lb
1) 24" x 36" - Conseal CS-102 1.00"	0 lb
2) Hole - 20	0 lb

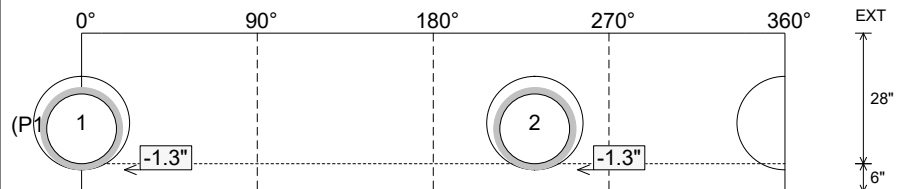
Structure Total:	4502 lb



Position	Elev	Angle	Pipe	Pipe OD	Hole	Connector	Up (")	Ref
Rim	934.5'							
Reducer								
Invert 1	931.05'	0°	15" HDPE	17.6"	20"	Hole 20	-1.3"	P1
Invert 2	931.05'	232°	15" HDPE	17.6"	20"	Hole 20	-1.3"	P1
Invert 3								
Invert 4								
Invert 5								
Invert 6								
Invert 7								
Invert 8								



Cast (Int. Dim.) - Interior Dimensions



Submittal Drawing
 1/27/2026 10:49:55 AM

SUBMITTAL
 APPROVED BY: