

Job Name: 25-4436 - Chipotle Carriage Gate
 Job Location: Richmond, KY 40475
 Contractor: Lagco Inc.

Plant: 100
 1/27/2026 10:53:07 AM

Tech: J. Horsley - A
 PC: Celina Goff



Structure ID: ST-5 (6)

P2 MH048LD07-24X36RECT

MH FLAT TOP w/24"x36" Hole F/F

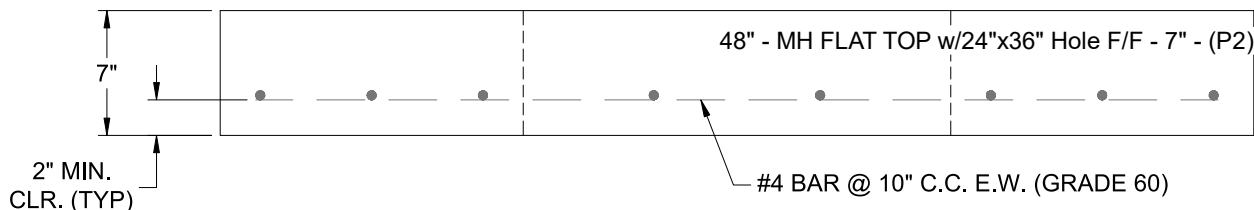
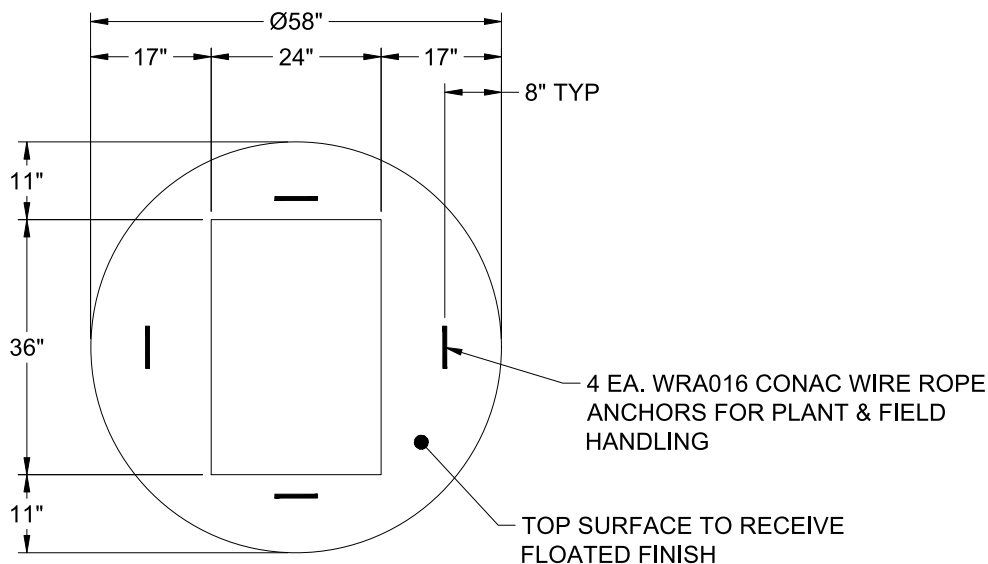
- P3) 24" x 36" - CASTING HEIGHT - 6"
- P2) 48" - MH FLAT TOP w/24"x36" Hole F/F - 7"
- P1) 48" - MH BASE Custom Ht F/n - 28"
- 1) CASTING - HOE 525 LV SET (F/G/H)
- 1) 48" - Conseal CS-102 1.00"
- 1) 24" x 36" - Conseal CS-102 1.00"
- 2) Hole - 20

0 lb
 1044 lb
 3016 lb
 442 lb
 0 lb
 0 lb
 0 lb

 4502 lb

Structure Total:

- Structure Notes:**
1. PER ASTM C-478 SPECIFICATIONS
 2. CONCRETE: 4,000 PSI AT 28 DAYS
 3. REINFORCEMENT: #4 BAR @ 10" C.C. E.W. (GRADE 60) - 2" MIN. REBAR CLEARANCE (TYP)
 4. HOE 525 FRAME, L-VANE GRATE, & CURB HOOD SUPPLIED BY ICAST
 5. LIFTERS: 4 EA. WRA016 CONAC WIRE ROPE ANCHORS FOR PLANT & FIELD HANDLING
 6. TOP SURFACE TO RECEIVE FLOATED FINISH



Coating (Int):
 Coating (Ext):

Seam Up: Flat
 Seam Dn: Flat

Wall Thickness: 5"

Height (Ext): 7"

Weight (Net): 1044 lb
 Volume (Net): 0.27cu.yd