

Job Name: 25-4436 - Chipotle Carriage Gate  
 Job Location: Richmond, KY 40475  
 Contractor: Lagco Inc.

Plant: 100

1/27/2026 10:52:35 AM

Tech: J. Horsley - A

PC: Celina Goff



**Structure ID: ST-3 (4)**

**P1 BX24300808VF**

**BOX BASE 8inW, 8inF, Variable Ht F/n**

- P2) 24" x 30" - CASTING HEIGHT - 3.75"
- P1) 24" x 30" - BOX BASE 8inW, 8inF, Variable Ht F/n - 32"
- 1) CASTING - HOE KY-460-11 F/G (DBI 11)
- 1) 24" x 30" - Conseal CS-102 1.00"
- 2) Hole - 20

0 lb  
 3821 lb  
 421 lb  
 0 lb  
 0 lb  
 -----  
 Structure Total: 4242 lb

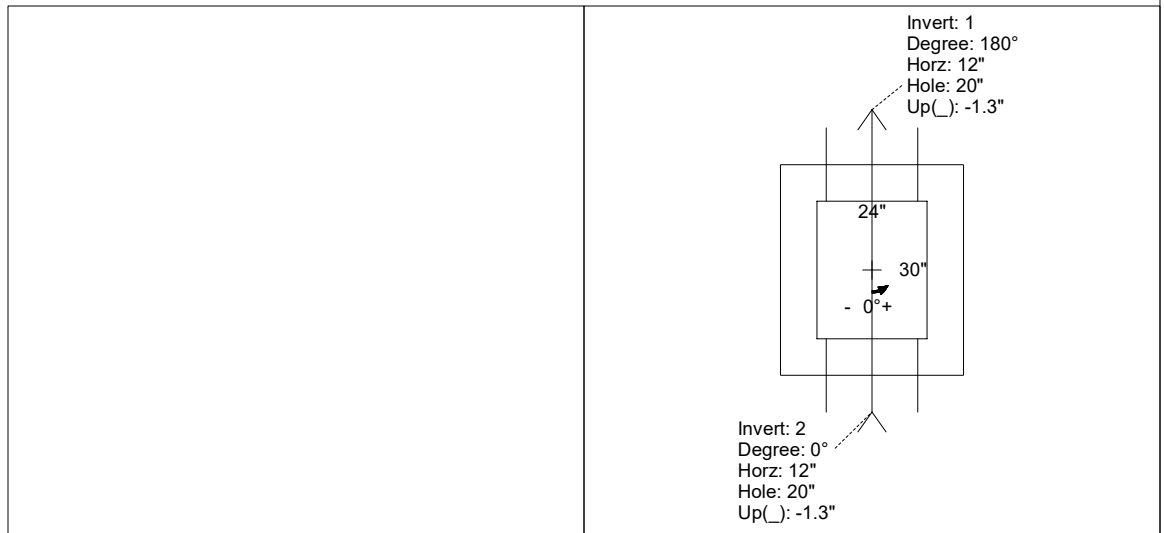
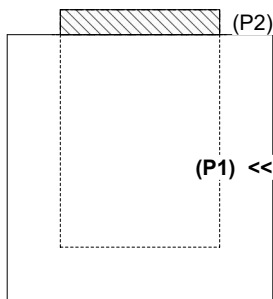
- Structure Notes:**
1. PER KYTC DBI TYPE 11 / ASTM C-913 SPECIFICATIONS
  2. CONCRETE: 4,000 PSI AT 28 DAYS
  3. REINFORCEMENT: #5 BAR @ 12" C.C. E.W. (GRADE 60) - 2" MIN. REBAR CLEARANCE (TYP)
  4. NO STORM INVERT
  5. NO STEPS
  6. HOE KY-460-11 FRAME & GRATE SUPPLIED BY ICAST

Rim: 934.77' Rim to Invert: 3.06' Slack: 0.97" Sump: 0" Step Position:

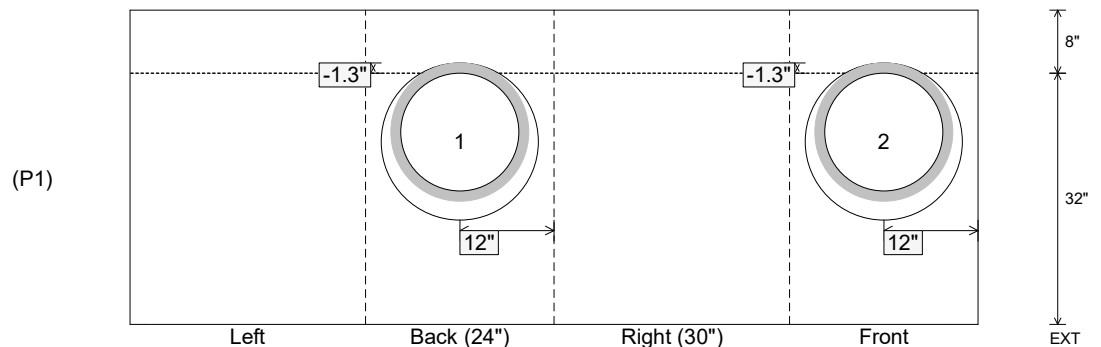
Position	Elev	Angle	Ext. (cw)	Pipe	Pipe OD	Connector	Hole	Horz Size	Up ( )	Offset
Invert 1	931.71'	180°	20"	15" HDPE	17.6"	Hole 20	20"	20"	-1.3"	0"
Invert 2	931.71'	0°	20"	15" HDPE	17.6"	Hole 20	20"	20"	-1.3"	0"
Invert 3										
Invert 4										
Invert 5										
Invert 6										
Invert 7										
Invert 8										

RIGHT-SIDE UP VIEW (int. dimensions)

UPSIDE-DOWN VIEW (int. dimensions)



INSIDE WALL DIMENSIONS



Coating (Int):  
 Coating (Ext):

Seam Up: Flat  
 Seam Dn: n/a

Wall Thickness: 8"  
 Floor Height: 8"

Height (Int): 32"  
 Height (Ext): 40"

Weight (Net): 3821 lb  
 Volume (Net): 0.98cu.yd