

Job Name: 25-4436 - Chipotle Carriage Gate
Job Location: Richmond, KY 40475
Contractor: Lagco Inc.

PC: Celina Goff
 TECH: J. Horsley - A
 Plant: 100



Structure ID: **ST-2 (3)**
 Spec: KYTC
 Type: DBI TYPE 7
 Size: 36" x 54"

Rim: 935'
 Invert: 932.01'
 Rim to Invert: 2.99'

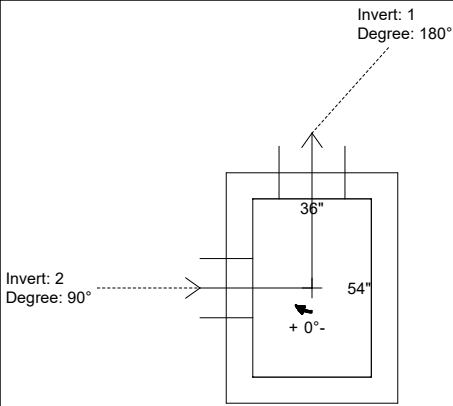
Sump: 0"
 Floor (Top): 932.01'
 Floor Height: 8"

Floor (Bot): 931.343'
 Overall Height: 3.583'
 Slack: 0.88"

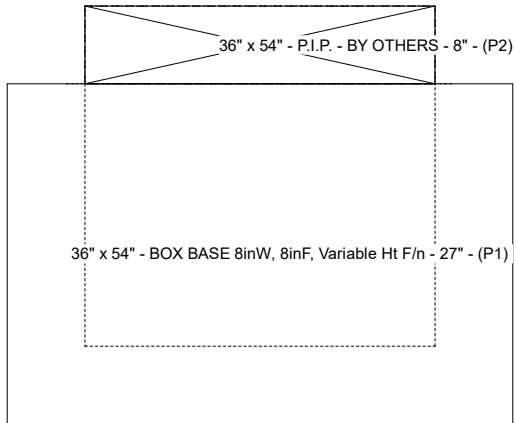
Structure Notes:
 PLAN LABEL: ST2
 1. PER ASTM C-913 SPECIFICATIONS
 2. CONCRETE: 4,000 PSI AT 28 DAYS
 3. REINFORCEMENT: #5 BAR @ 12" C.C. E.W. (GRADE 60)
 4. NO STORM INVERT
 5. NO STEPS
 6. HOE KY-328 (DBI TY 7) FRAME & GRATES SUPPLIED BY ICAST
 7. STUB #5 BARS SPACED @ 12" C.C. 20" OUT TOP OF WALLS FOR FIELD POUR TIE-IN

STRUCTURE SUMMARY:

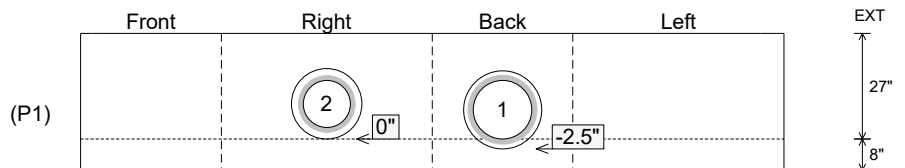
P2) 36" x 54" - P.I.P. - BY OTHERS - 8"	0 lb
P1) 36" x 54" - BOX BASE 8inW, 8inF, Variable Ht F/n - 27"	5904 lb
1) SECONDARY POUR	0 lb
1) CASTING - HOE KY-328 SET (DBI 7)	328 lb
1) 36" x 54" - Conseal CS-102 1.00"	0 lb
1) Hole - 20	0 lb
1) Hole - 18	0 lb
Structure Total:	6232 lb



Position	Elev	Angle	Pipe	Pipe OD	Hole	Connector	Up ()	Ref
Rim	935'							
Reducer								
Invert 1	932.01'	180°	15" HDPE	17.6"	20"	Hole 20	-2.5"	P1
Invert 2	932.26'	90°	12" HDPE	14.5"	18"	Hole 18	0"	P1
Invert 3								
Invert 4								
Invert 5								
Invert 6								
Invert 7								
Invert 8								



Cast (Int. Dim.) - Interior Dimensions



Submittal Drawing
 2/11/2026 1:48:43 PM

SUBMITTAL
 APPROVED BY: