

Job Name: 25-4430 KYTC Daviess Co Call 104 (2511035)
Job Location: Owensboro, KY
Contractor: Ragle, Inc.

PC: Andy Chambers
 TECH: Jared - A
 Plant: 100



Structure ID: **8941R (19)**
 Spec: KYTC
 Type: DBI TYPE 3
 Size: 48" x 48"

Rim: 447'
 Invert: 442'
 Rim to Invert: 5'

Sump: 0"
 Floor (Top): 442'
 Floor Height: 8"

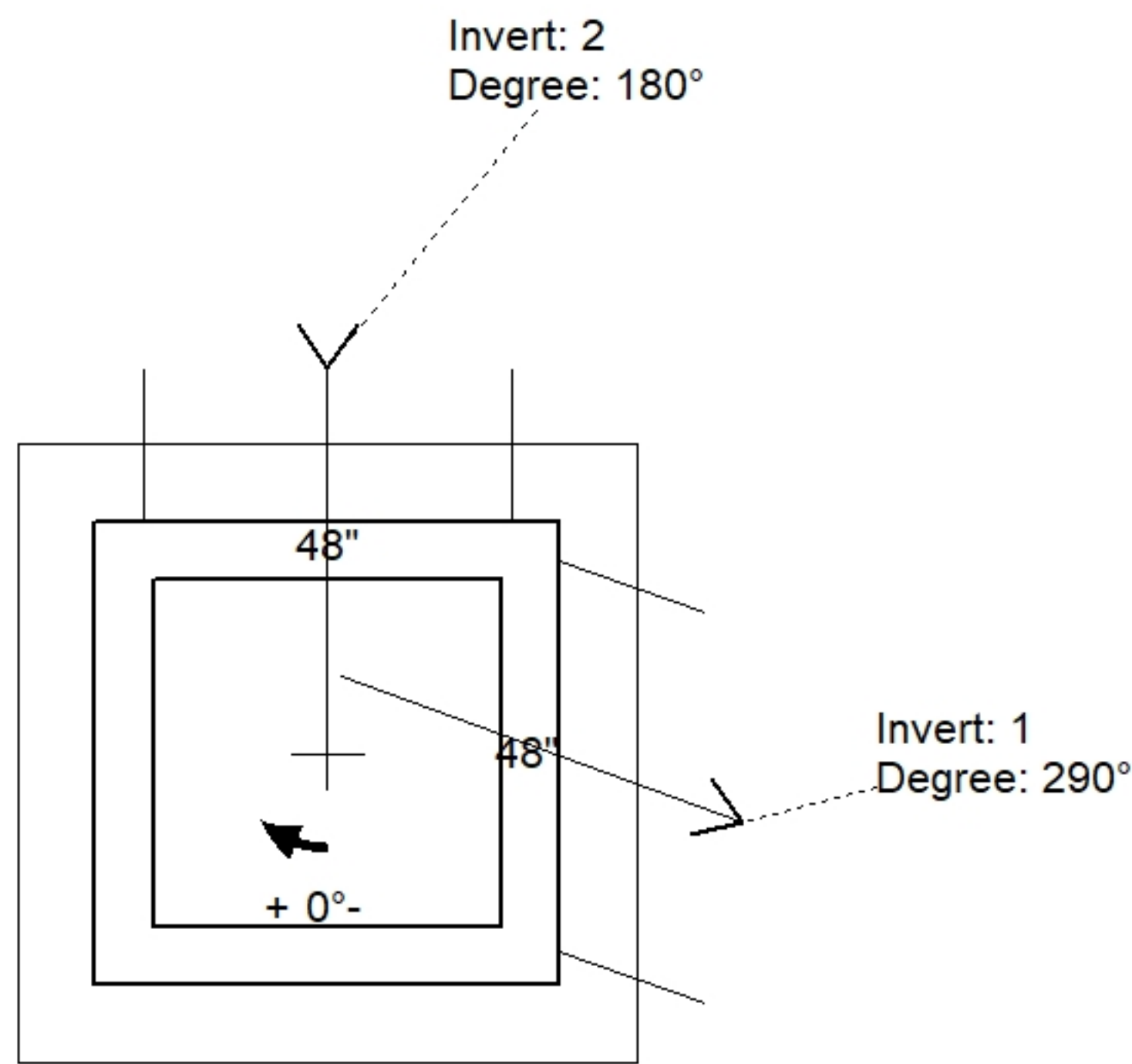
Floor (Bot): 441.333'
 Overall Height: 5.5'
 Slack: 2"

Structure Notes:

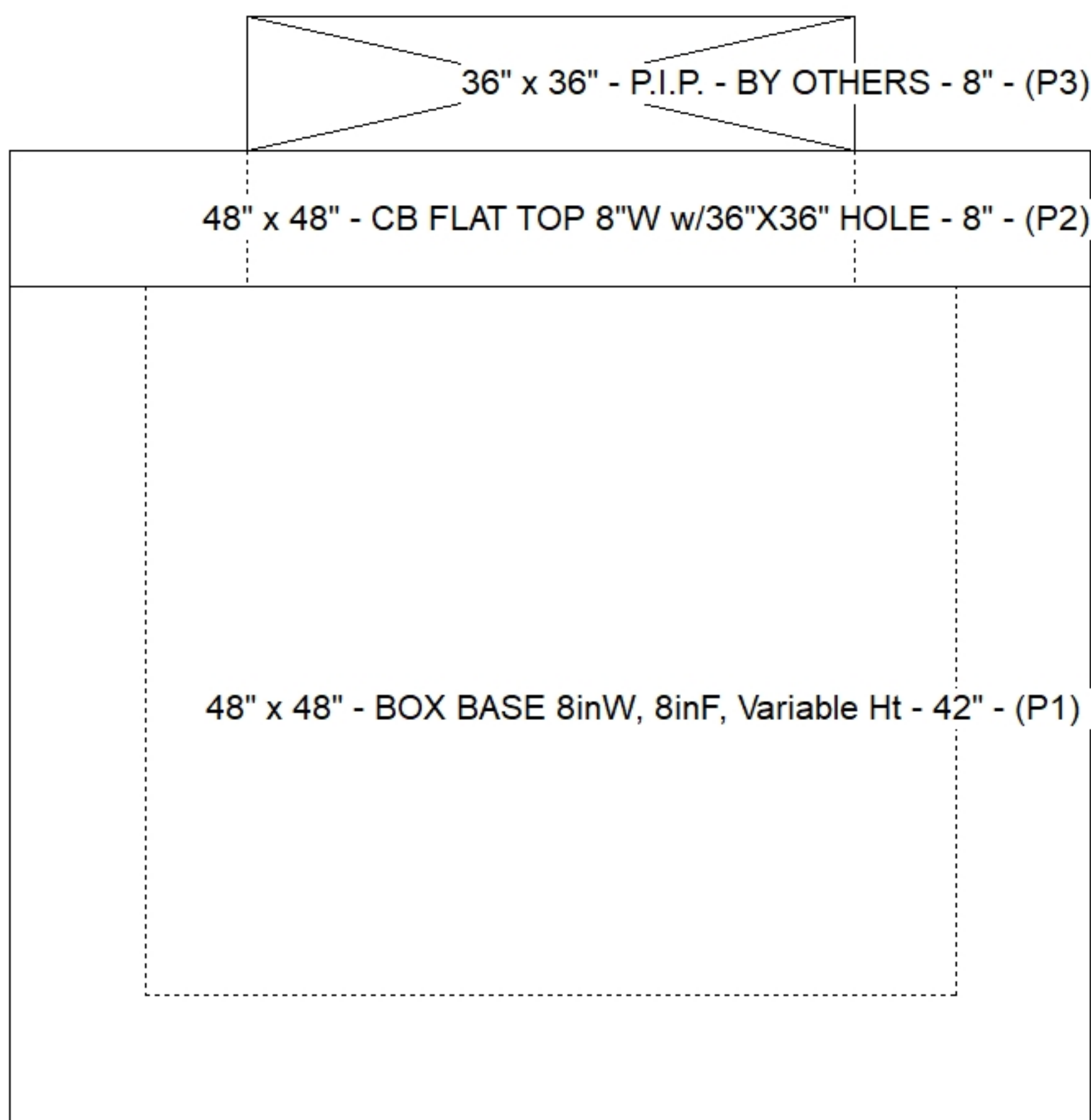
- **KYTC STATE PROJECT****
- HOE KY-328 SET (DBI 3) PROVIDED BY ICAST.
 - KYTC DBI TYPE 3
 - PER ASTM C-913
 - DBI 3 F&G (BY CONTR)
 - STUB #5 BARS 20" OUT TOP OF TOP SLAB (SPA@12"C/C)
 - REINFORCING PER ASTM A615 (GRADE 60).
 - TOP SLAB : DBL. MAT #5 #6"
 - WALLS (As .31) #5 BARS AT 12" C.C.E.W.
 - FLOOR (As .31) #5 BARS AT 12" C.C.E.W.

STRUCTURE SUMMARY:

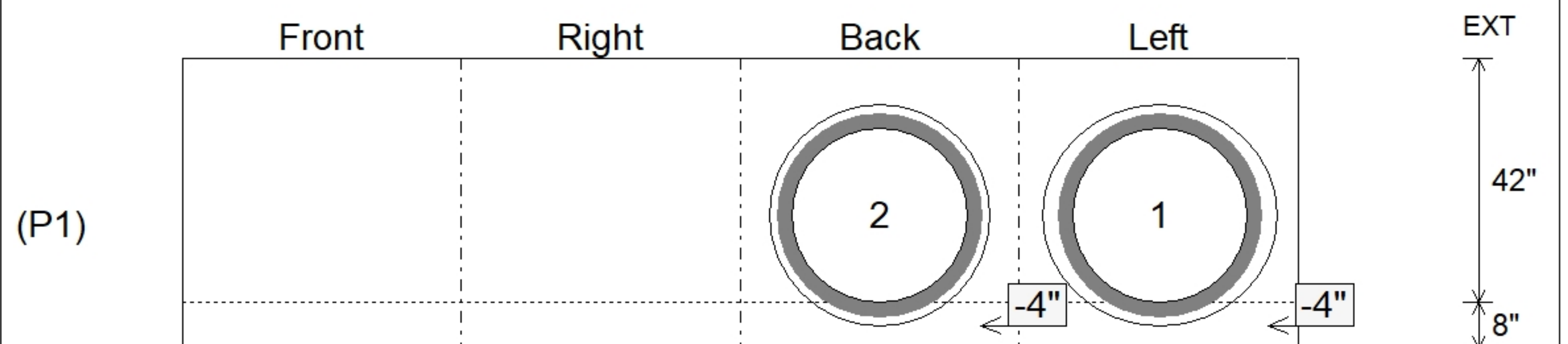
P3) 36" x 36" - P.I.P. - BY OTHERS - 8"	0 lb
P2) 48" x 48" - CB FLAT TOP 8"W w/36"X36" HOLE - 8"	1880 lb
P1) 48" x 48" - BOX BASE 8inW, 8inF, Variable Ht - 42"	7494 lb
1) CASTING - HOE KY-328 SET (DBI 3)	328 lb
1) 48" x 48" - Conseal CS-102 1.00"	0 lb
1) 36" x 36" - Conseal CS-102 1.00"	0 lb
2) Hole - 38	0 lb
Structure Total:	9701 lb



Position	Elev	Angle	Pipe	Pipe OD	Hole	Connector	Up (")	Ref
Rim	447'							
Reducer								
Invert 1	442'	290°	30" HDPE	35.1"	38"	Hole 38	-4"	P1
Invert 2	442'	180°	30" HDPE	35.1"	38"	Hole 38	-4"	P1
Invert 3								
Invert 4								
Invert 5								
Invert 6								
Invert 7								
Invert 8								



Default - Interior Dimensions



Submittal Drawing
 3/13/2026 1:44:26 PM

SUBMITTAL
 APPROVED BY: