

**Job Name: 25-4430 KYTC Daviess Co Call 104 (2511035)**  
**Job Location: Owensboro, KY**  
**Contractor: Ragle, Inc.**

PC: Andy Chambers  
 TECH: Jared - A  
 Plant: 100



Structure ID: 8888R (22)  
 Spec: KYTC  
 Type: DBI TYPE 13S  
 Size: 24" x 60"

Rim: 448.91'  
 Invert: 443.11'  
 Rim to Invert: 5.8'

Sump: 0"  
 Floor (Top): 443.11'  
 Floor Height: 8"

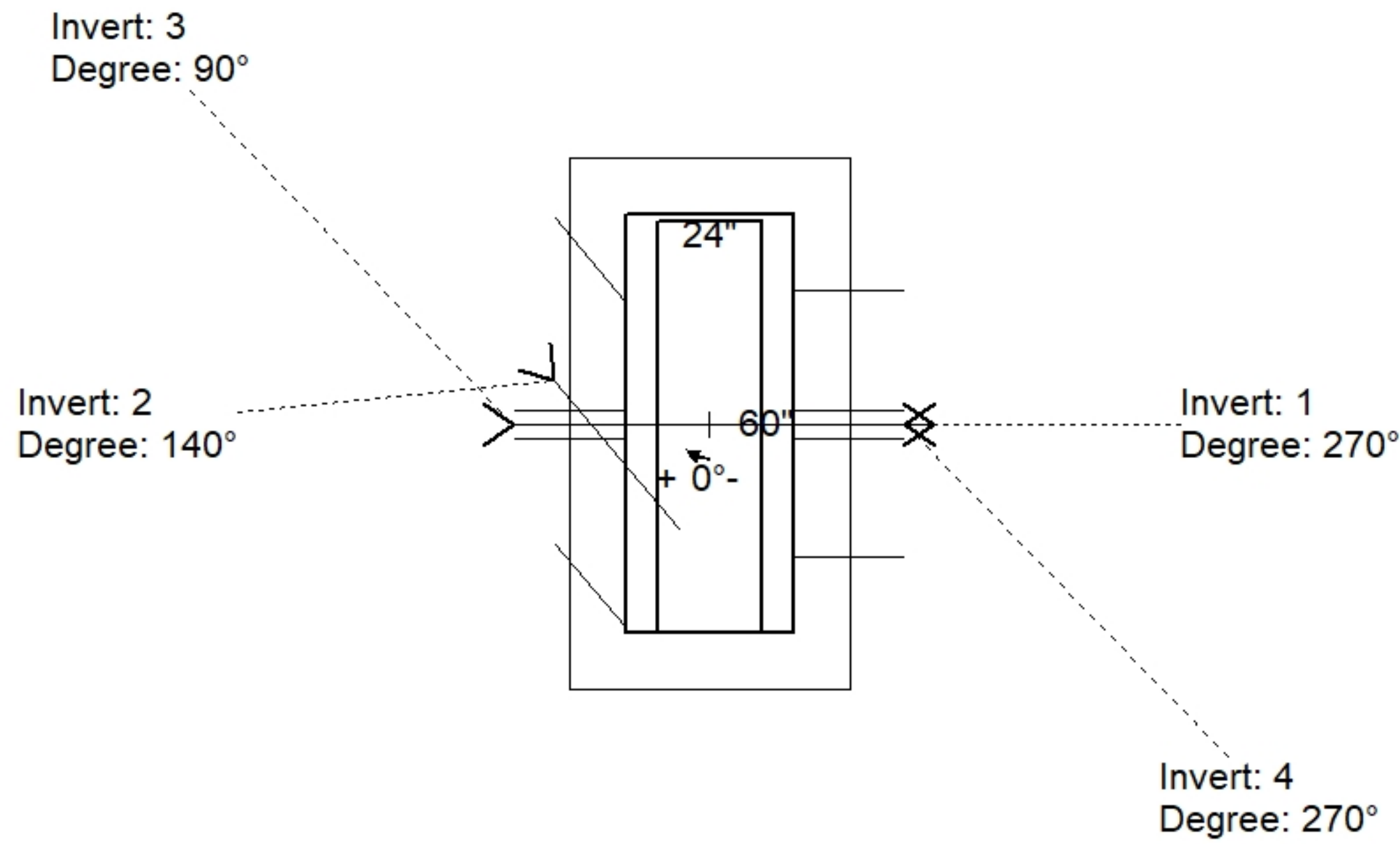
Floor (Bot): 442.443'  
 Overall Height: 6.333'  
 Slack: 1.6"

**Structure Notes:**

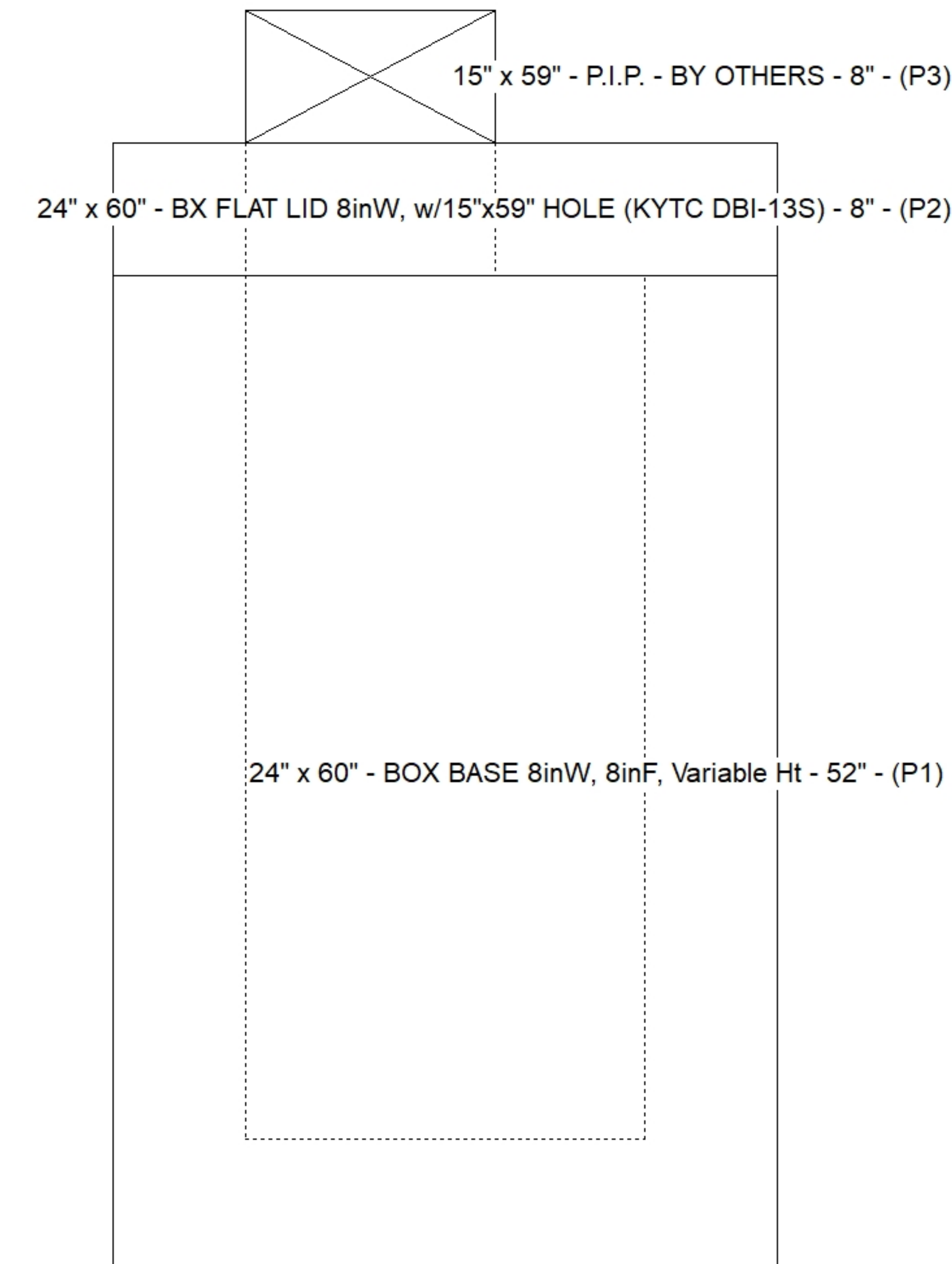
- \*\*KYTC STATE PROJECT\*\***
- HOE KY-230-S F/G (SAG) PROVIDED BY ICAST.
  - KYTC DBI TYPE 13S / ASTM C-913 SPEC'S.
  - CONCRETE = 4,000 PSI AT 28 DAYS.
  - NO INVERT CHANNEL.
  - REINFORCING PER ASTM A615 (GRADE 60).  
 - TOP SLAB (As .62) #5 BARS AT 6" C.C.E.W. (DBL MAT).  
 - WALLS (As .31) #5 BARS AT 12" C.C.E.W..  
 - FLOOR (As .31) #5 BARS AT 12" C.C.E.W.
  - STUB #5 BARS 12" OUT OF THE TOP OF THE SLAB (SPACED AT 12" CC) AROUND THE 15" X 59".

**STRUCTURE SUMMARY:**

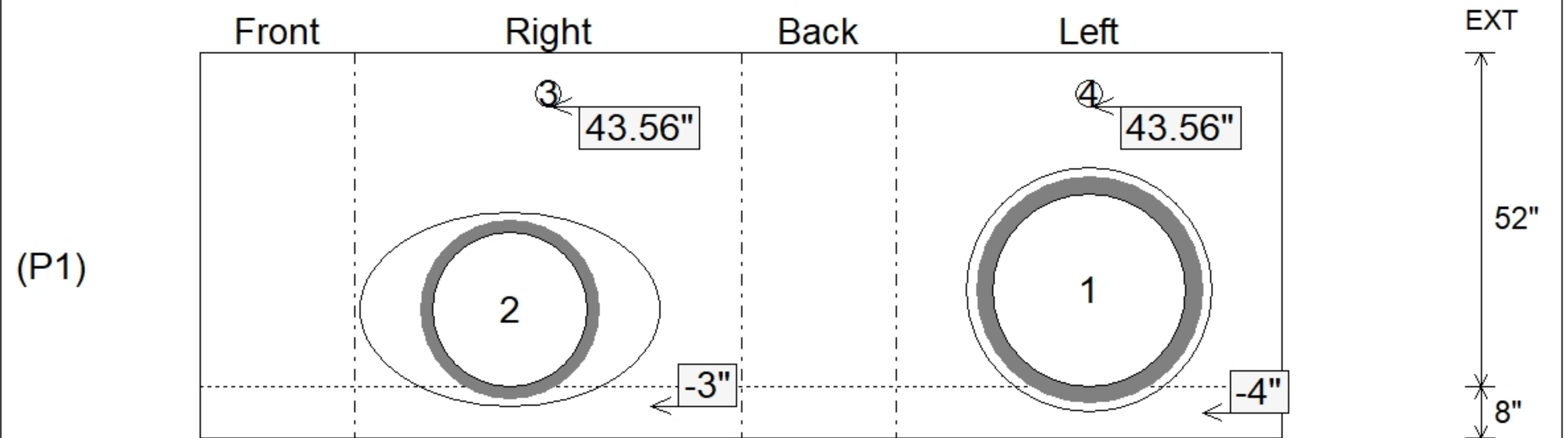
P3) 15" x 59" - P.I.P. - BY OTHERS - 8"	0 lb
P2) 24" x 60" - BX FLAT LID 8inW, w/15"x59" HOLE (KYTC DBI-13S) - 8"	1461 lb
P1) 24" x 60" - BOX BASE 8inW, 8inF, Variable Ht - 52"	7506 lb
1) CASTING - HOE KY-230-S F/G (SAG)	474 lb
1) SECONDARY POUR - Walls	0 lb
1) 24" x 60" - Conseal CS-102 1.00"	0 lb
1) Hole - 38	0 lb
1) Hole - 30	0 lb
2) Hole - 4	0 lb
<b>Structure Total:</b>	<b>9441 lb</b>



Position	Elev	Angle	Pipe	Pipe OD	Hole	Connector	Up (")	Ref
Rim	448.91'							
Reducer								
Invert 1	443.11'	270°	30" HDPE	35.1"	38"	Hole 38	-4"	P1
Invert 2	443.11'	140°	24" HDPE	27.8"	30"	Hole 30	-3"	P1
Invert 3	446.74'	90°	4" WEEP HOLE	4"	4"	Hole 4	43.56"	P1
Invert 4	446.74'	270°	4" WEEP HOLE	4"	4"	Hole 4	43.56"	P1
Invert 5								
Invert 6								
Invert 7								
Invert 8								



**Default - Interior Dimensions**



Submittal Drawing  
 3/13/2026 1:44:21 PM

SUBMITTAL  
 APPROVED BY: