

Job Name: 25-4430 KYTC Daviess Co Call 104 (2511035)
Job Location: Owensboro, KY
Contractor: Ragle, Inc.

PC: Andy Chambers
 TECH: Jared - A
 Plant: 100



Structure ID: **8870 (18)**
 Spec: KYTC
 Type: DBI TYPE 3
 Size: 36" x 36"

Rim: 448.65'
 Invert: 444.65'
 Rim to Invert: 4'

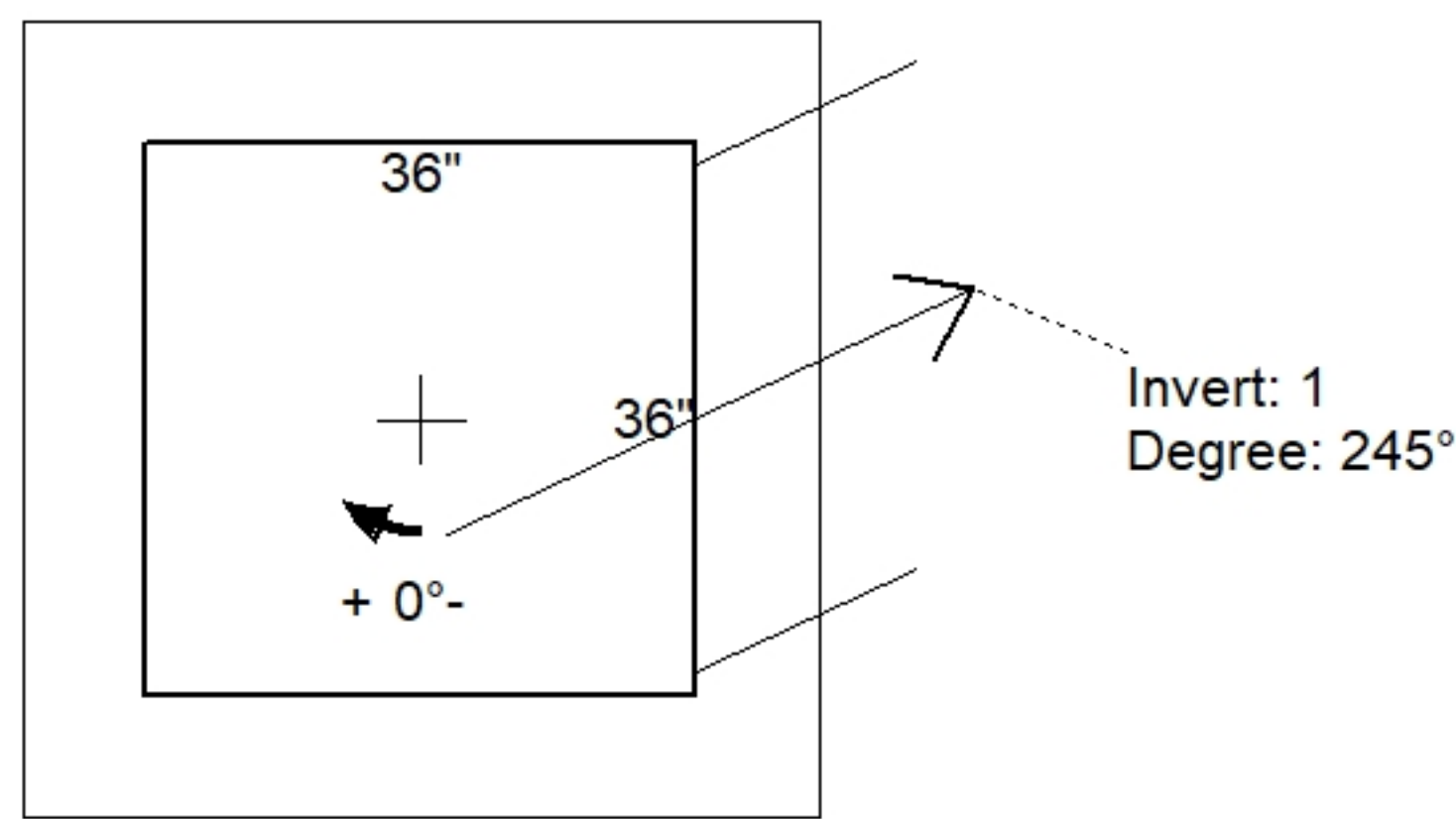
Sump: 0"
 Floor (Top): 444.65'
 Floor Height: 8"

Floor (Bot): 443.983'
 Overall Height: 4.667'
 Slack: 0"

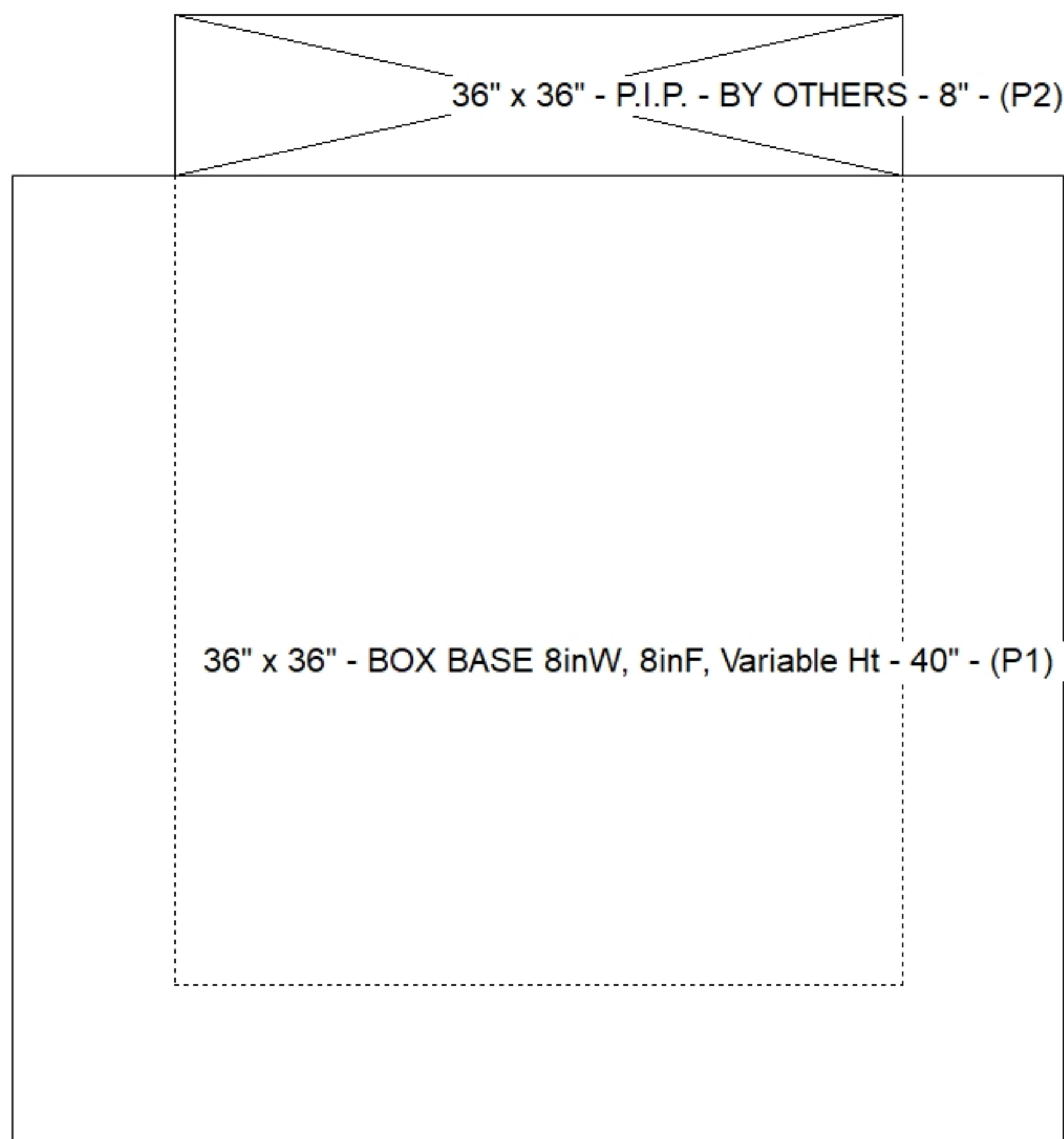
Structure Notes:
 KYTC STATE PROJECT
 1. HOE KY-328 SET (DBI 3) PROVIDED BY ICAST.
 2. KYTC DBI TYPE 3
 3. PER ASTM C-913
 4. DBI 3 F&G (BY CONTR)
 5. STUB #5 BARS 20" OUT TOP OF WALLS (SPA@12"C/C)
 6. REINFORCING PER ASTM A615 (GRADE 60).
 - WALLS (As .31) #5 BARS AT 12" C.C.E.W.
 - FLOOR (As .31) #5 BARS AT 12" C.C.E.W.

STRUCTURE SUMMARY:

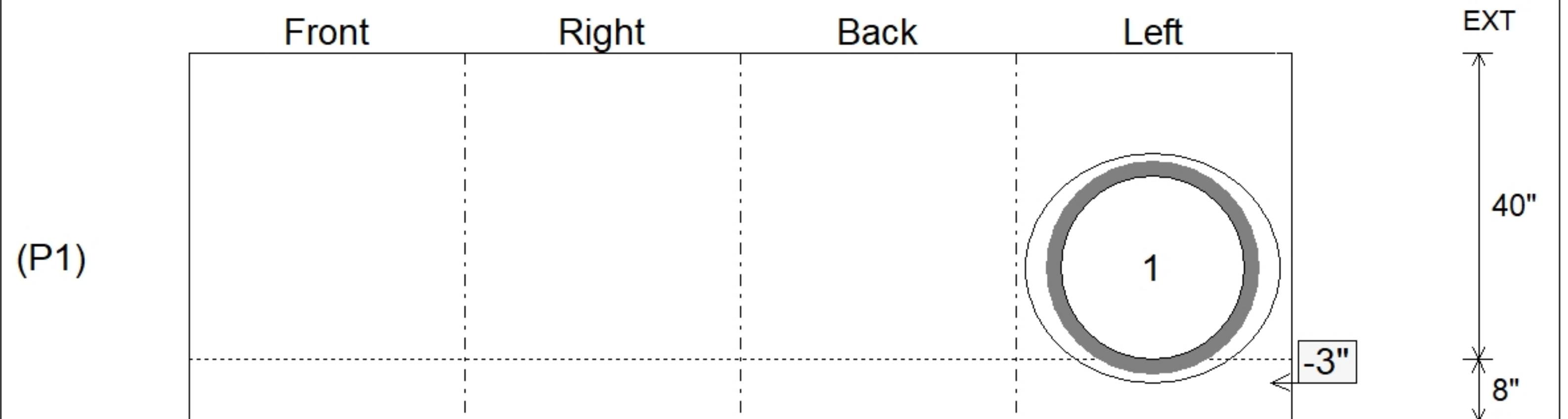
P2) 36" x 36" - P.I.P. - BY OTHERS - 8"	0 lb
P1) 36" x 36" - BOX BASE 8inW, 8inF, Variable Ht - 40"	6018 lb
1) CASTING - HOE KY-328 SET (DBI 3)	328 lb
1) Hole - 30	0 lb
Structure Total:	6346 lb



Position	Elev	Angle	Pipe	Pipe OD	Hole	Connector	Up ()	Ref
Rim	448.65'							
Reducer								
Invert 1	444.65'	245°	24" HDPE	27.8"	30"	Hole 30	-3"	P1
Invert 2								
Invert 3								
Invert 4								
Invert 5								
Invert 6								
Invert 7								
Invert 8								



Default - Interior Dimensions



Submittal Drawing
 3/13/2026 1:44:19 PM

SUBMITTAL
 APPROVED BY: