

Job Name: 25-4430 KYTC Daviess Co Call 104 (2511035)
 Job Location: Owensboro, KY
 Contractor: Ragle, Inc.

Plant: 100

3/11/2026 2:13:46 PM

Tech: Jared - A

PC: Andy Chambers



Structure ID: 8750R (17)

P1 BX3636-08BAVF

BOX BASE 8inW, 8inF, Variable Ht

- P2) 36" x 36" - P.I.P. - BY OTHERS - 8"
- P1) 36" x 36" - BOX BASE 8inW, 8inF, Variable Ht - 31"
- 1) CASTING - HOE KY-328 SET (DBI 3)
- 1) Hole - 30

Structure Total: 5331 lb

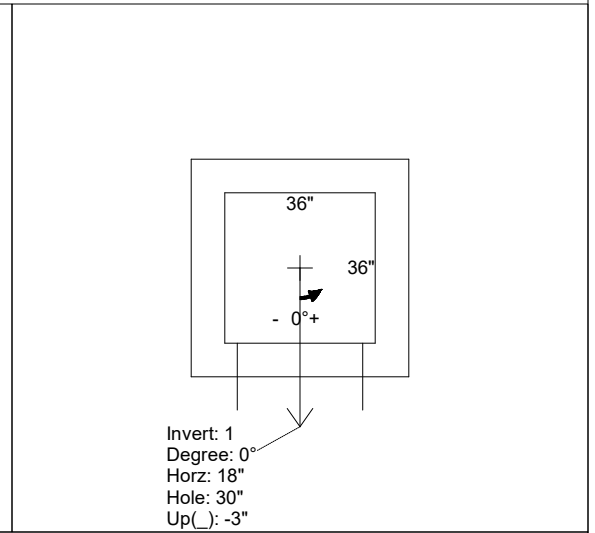
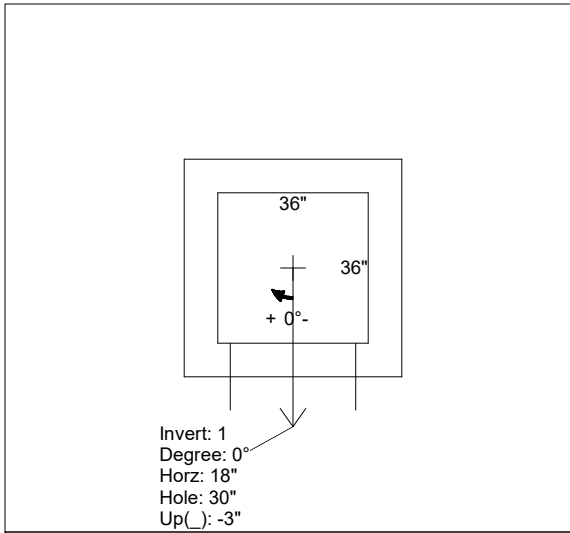
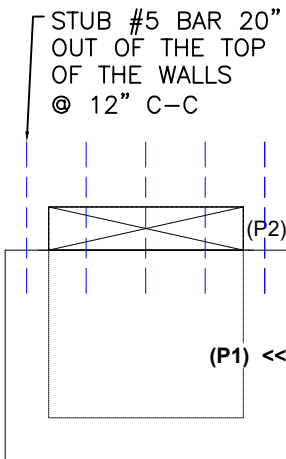
- Structure Notes:**
- **KYTC STATE PROJECT**
 - 1. HOE KY-328 SET (DBI 3) PROVIDED BY ICAST.
 - 2. KYTC DBI TYPE 3
 - 3. PER ASTM C-913
 - 4. DBI 3 F&G (BY CONTR)
 - 5. STUB #5 BARS 20" OUT TOP OF WALLS (SPA@12"C/C)
 - 6. REINFORCING PER ASTM A615 (GRADE 60).
 - WALLS (As .31) #5 BARS AT 12" C.C.E.W.
 - FLOOR (As .31) #5 BARS AT 12" C.C.E.W.

Rim: 452.75' Rim to Invert: 3.25' Slack: 0" Sump: 0" Step Position:

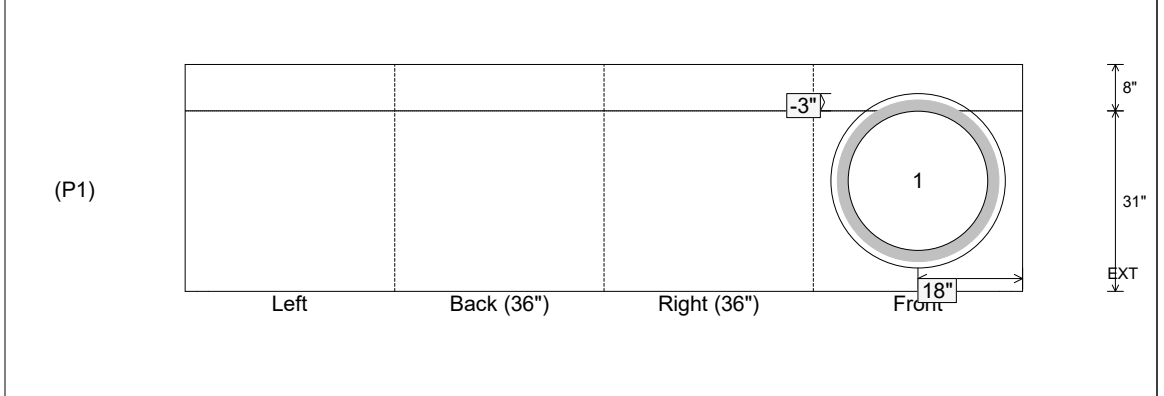
Position	Elev	Angle	Ext. (cw)	Pipe	Pipe OD	Connector	Hole	Horz Size	Up (↓)	Offset
Invert 1	449.5'	0°	26"	24" HDPE	27.8"	Hole 30	30"	30"	-3"	0"
Invert 2										
Invert 3										
Invert 4										
Invert 5										
Invert 6										
Invert 7										
Invert 8										

RIGHT-SIDE UP VIEW (int. dimensions)

UPSIDE-DOWN VIEW (int. dimensions)



INSIDE WALL DIMENSIONS



Coating (Int): Coating (Ext):	Seam Up: Flat Seam Dn: n/a	Wall Thickness: 8" Floor Height: 8"	Height (Int): 31" Height (Ext): 39"	Weight (Net): 5003 lb Volume (Net): 1.28cu.yd
----------------------------------	-------------------------------	--	--	--