

Job Name: 25-4430 KYTC Daviess Co Call 104 (2511035)
Job Location: Owensboro, KY
Contractor: Ragle, Inc.

PC: Andy Chambers
 TECH: Jared - A
 Plant: 100



Structure ID: **8750L (16)**
 Spec: KYTC
 Type: DBI TYPE 3
 Size: 36" x 36"

Rim: 449'
 Invert: 446'
 Rim to Invert: 3'

Sump: 0"
 Floor (Top): 446'
 Floor Height: 8"

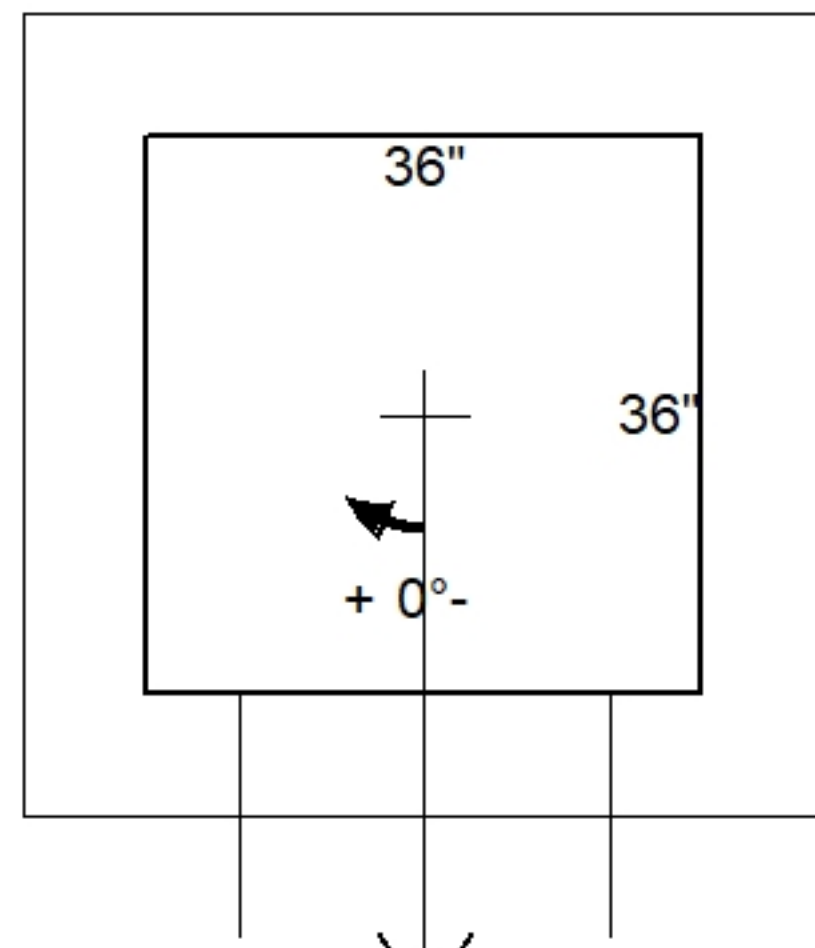
Floor (Bot): 445.333'
 Overall Height: 3.667'
 Slack: 0"

Structure Notes:

- **KYTC STATE PROJECT****
- HOE KY-328 SET (DBI 3) PROVIDED BY ICAST.
 - KYTC DBI TYPE 3
 - PER ASTM C-913
 - DBI 3 F&G (BY CONTR)
 - STUB #5 BARS 20" OUT TOP OF WALLS (SPA@12"C/C)
 - REINFORCING PER ASTM A615 (GRADE 60).
 - WALLS (As .31) #5 BARS AT 12" C.C.E.W.
 - FLOOR (As .31) #5 BARS AT 12" C.C.E.W.

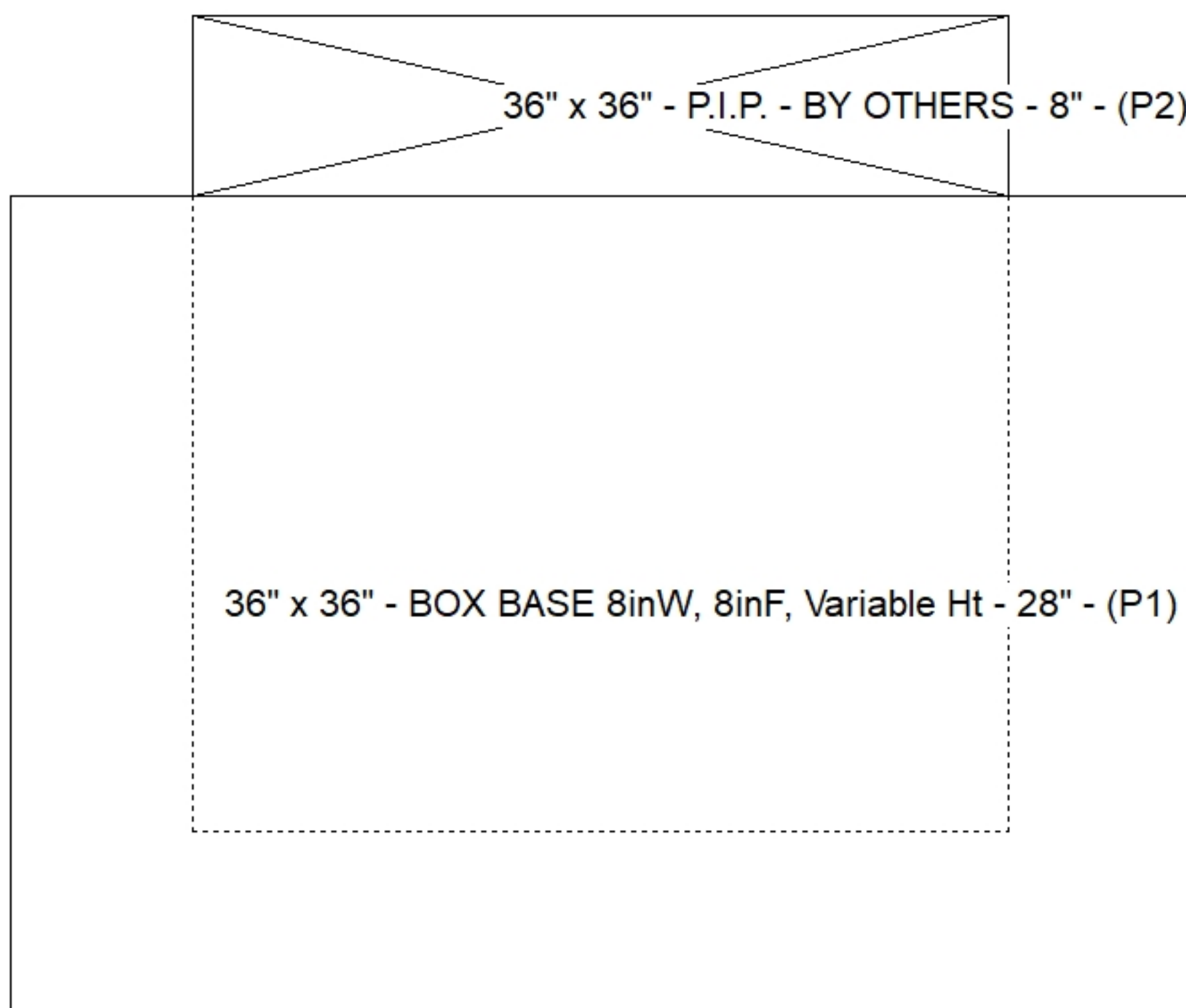
STRUCTURE SUMMARY:

P2) 36" x 36" - P.I.P. - BY OTHERS - 8"	0 lb
P1) 36" x 36" - BOX BASE 8inW, 8inF, Variable Ht - 28"	4820 lb
1) CASTING - HOE KY-328 SET (DBI 3)	328 lb
1) Hole - 24	0 lb
Structure Total:	5148 lb

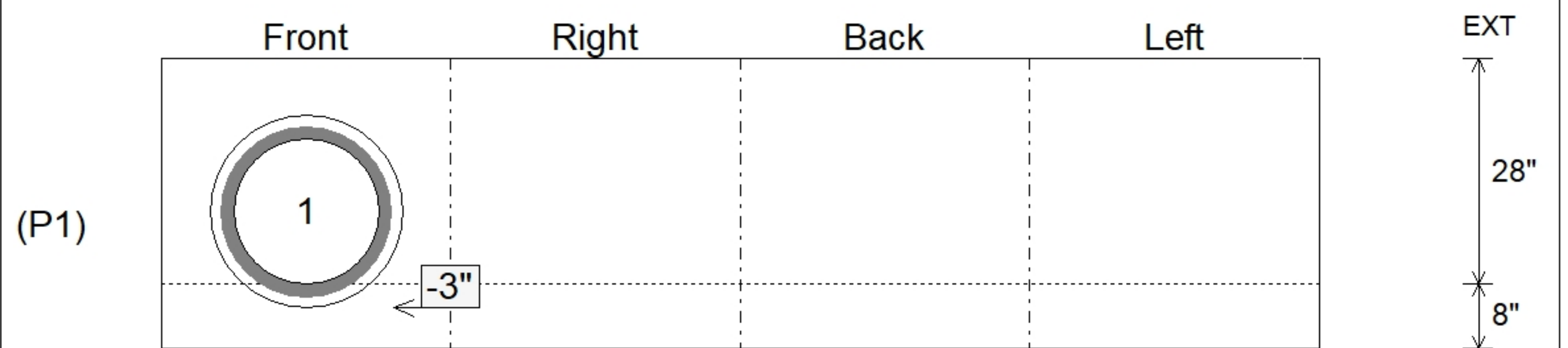


Invert: 1
 Degree: 0°

Position	Elev	Angle	Pipe	Pipe OD	Hole	Connector	Up (L)	Ref
Rim	449'							
Reducer								
Invert 1	446'	0°	18" HDPE	21.2"	24"	Hole 24	-3"	P1
Invert 2								
Invert 3								
Invert 4								
Invert 5								
Invert 6								
Invert 7								
Invert 8								



Default - Interior Dimensions



Submittal Drawing
 3/13/2026 1:44:18 PM

SUBMITTAL
 APPROVED BY: