

**Job Name: 25-4430 KYTC Daviess Co Call 104 (2511035)**  
**Job Location: Owensboro, KY**  
**Contractor: Ragle, Inc.**

PC: Andy Chambers  
 TECH: Jared - A  
 Plant: 100



Structure ID: 7428L (6)  
 Spec: KYTC  
 Type: CBI TYPE A (10')  
 Size: 24" x 36"

Rim: 445.31'  
 Invert: 440.14'  
 Rim to Invert: 5.17'

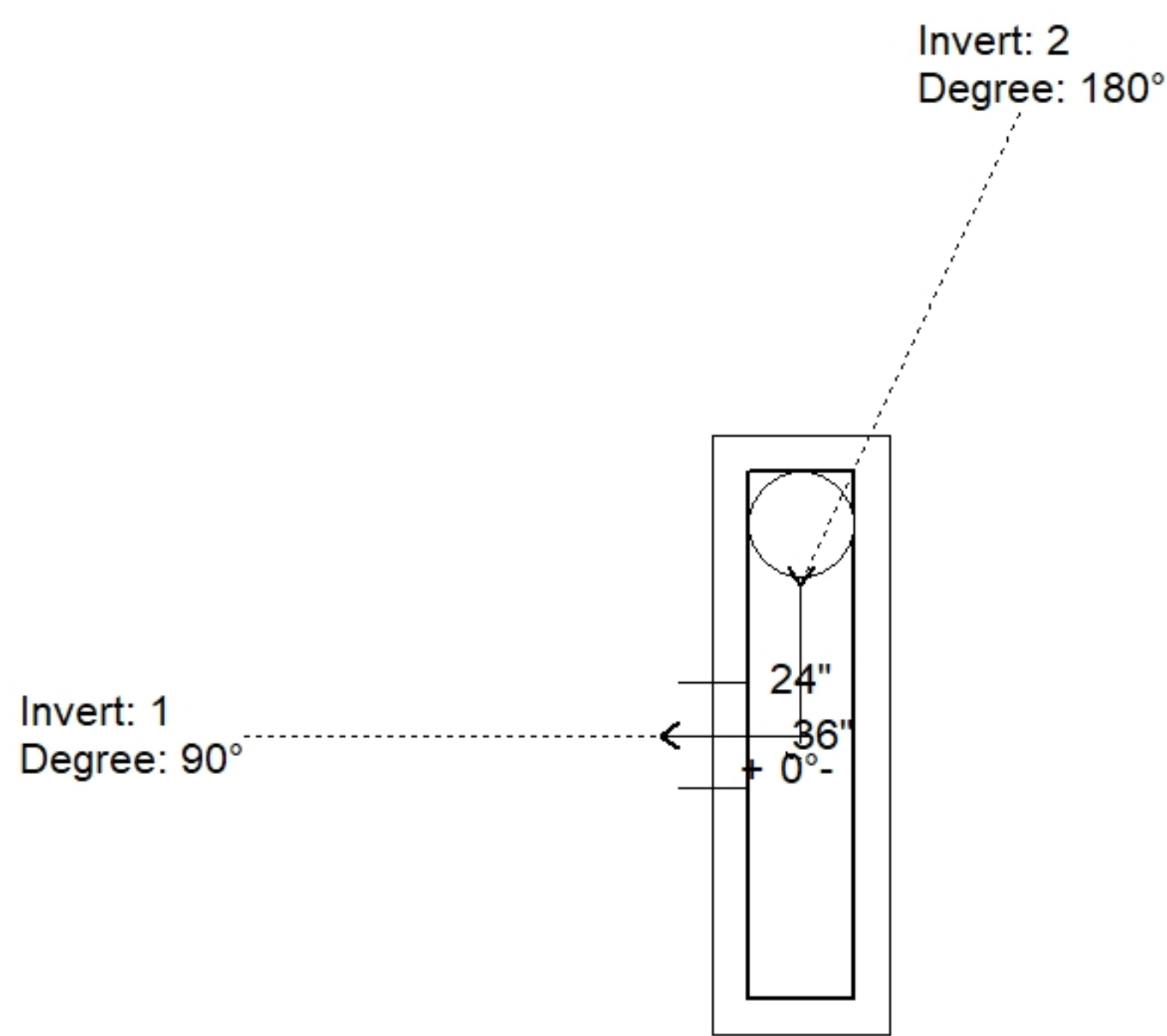
Sump: 0"  
 Floor (Top): 440.14'  
 Floor Height: 8"

Floor (Bot): 439.473'  
 Overall Height: 5.667'  
 Slack: 2.04"

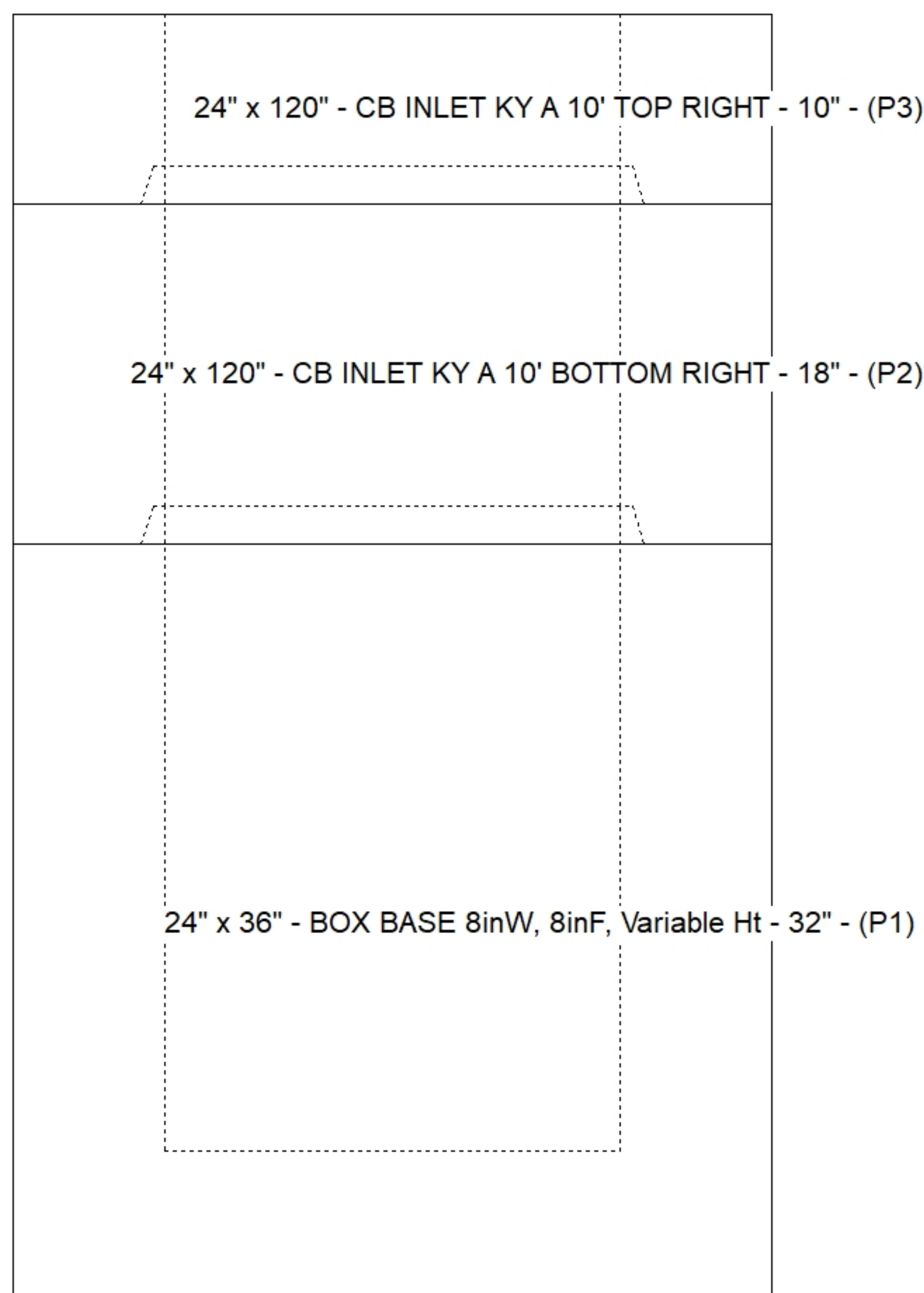
**Structure Notes:**  
 \*\* KYTC STATE PROJECT \*\*  
 1. HOE KY-206 F/C (KY TY1) PROVIDED BY ICAST.  
 2. PER KYTC CBI TYPE A / ASTM C913 SPEC'S.  
 3. CONCRETE = 4,000 PI AT 28 DAYS.  
 4. NO INVERT CHANNEL.  
 5. REINFORCING PER ASTM A615 (GRADE 60).  
 - TOP PHASE (As .62) #5 BARS AT 6" C.C.E.W.  
 - WALLS (As .31) #5 BARS AT 12" C.C.E.W.  
 - FLOOR (As .31) #5 BARS AT 12" C.C.E.W.  
 6. THE LISTED RIM ELEVATION IS THE GIVEN FLOWLINE ELEVATION +8".

**STRUCTURE SUMMARY:**

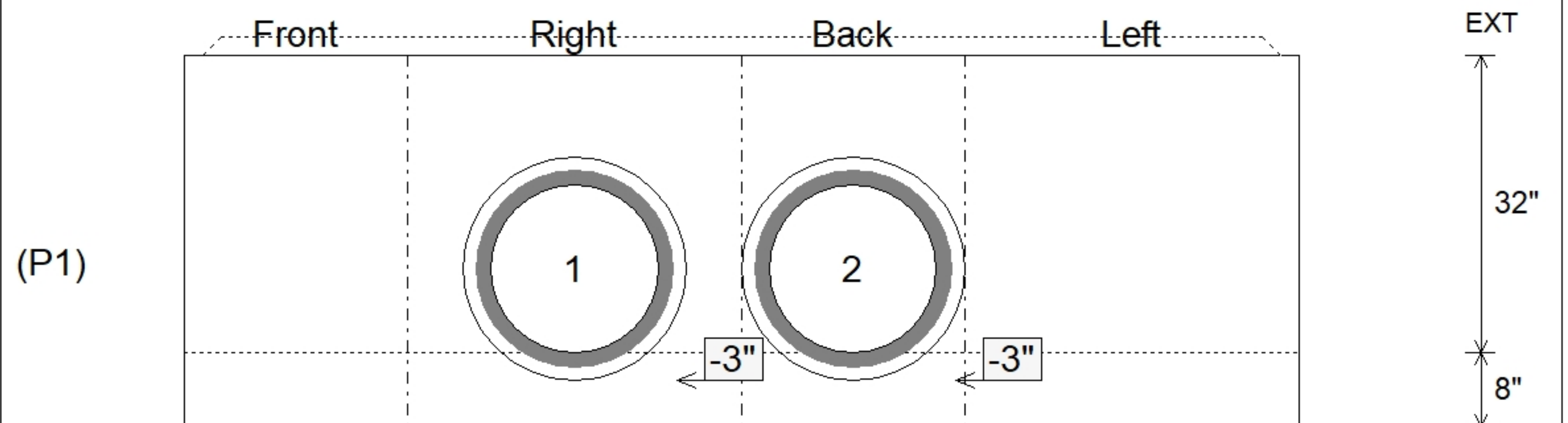
P3) 24" x 120" - CB INLET KY A 10' TOP RIGHT - 10"	3398 lb
P2) 24" x 120" - CB INLET KY A 10' BOTTOM RIGHT - 18"	5270 lb
P1) 24" x 36" - BOX BASE 8inW, 8inF, Variable Ht - 32"	4130 lb
1) CASTING - HOE KY-206 F/C (KY TY1)	206 lb
1) 24" x 36" - Conseal CS-102 1.00"	0 lb
2) Hole - 24"	0 lb
<b>Structure Total:</b>	<b>13004 lb</b>



Position	Elev	Angle	Pipe	Pipe OD	Hole	Connector	Up ( )	Ref
Rim	445.31'							
Reducer								
Invert 1	440.14'	90°	18" HDPE	21.2"	24"	Hole 24	-3"	P1
Invert 2	440.14'	180°	18" HDPE	21.2"	24"	Hole 24	-3"	P1
Invert 3								
Invert 4								
Invert 5								
Invert 6								
Invert 7								
Invert 8								



**Default - Interior Dimensions**



Submittal Drawing  
 3/13/2026 1:44:14 PM

SUBMITTAL  
 APPROVED BY: