

Job Name: 25-4430 KYTC Daviess Co Call 104 (2511035)
 Job Location: Owensboro, KY
 Contractor: Ragle, Inc.

Plant: 100

3/11/2026 2:13:42 PM

Tech: Jared - A

PC: Andy Chambers



Structure ID: 7380 (12)

P1 BX3636-08BAVF

BOX BASE 8inW, 8inF, Variable Ht

- P2) 36" x 36" - P.I.P. - BY OTHERS - 8"
- P1) 36" x 36" - BOX BASE 8inW, 8inF, Variable Ht - 40"
- 1) CASTING - HOE KY-328 SET (DBI 3)
- 1) Hole - 24"

0 lb
 6237 lb
 328 lb
 0 lb

 Structure Total: 6565 lb

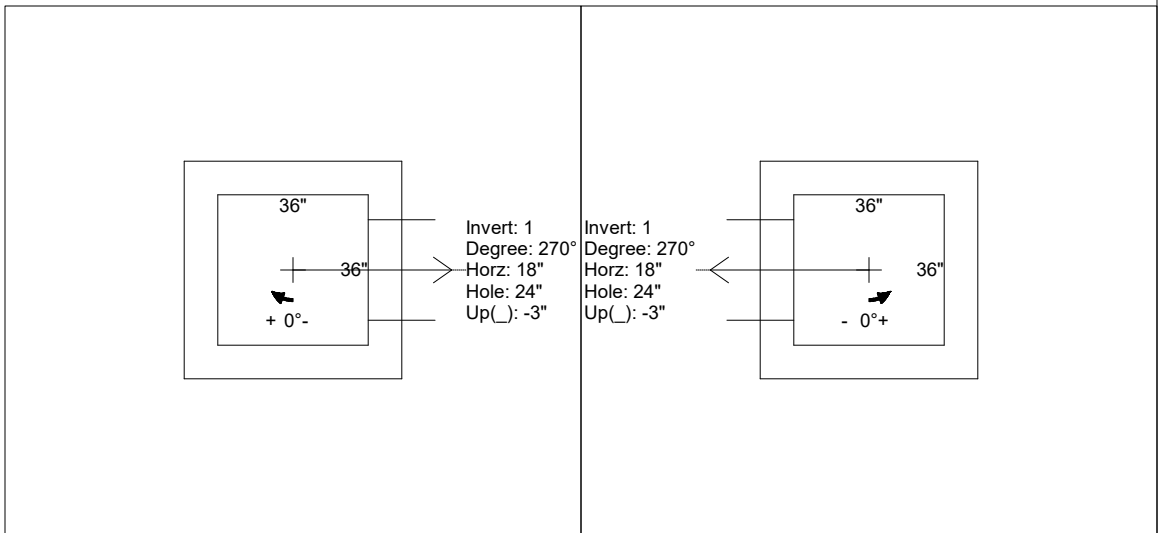
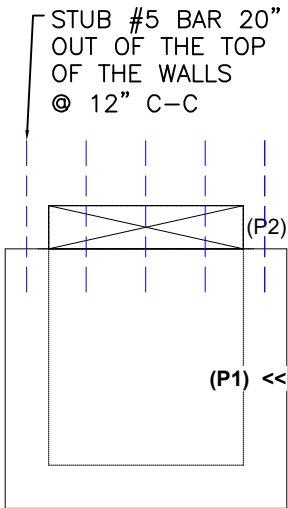
- Structure Notes:**
 KYTC STATE PROJECT
 1. HOE KY-328 SET (DBI 3) PROVIDED BY ICAST.
 2. KYTC DBI TYPE 3
 3. PER ASTM C-913
 4. DBI 3 F&G (BY CONTR)
 5. STUB #5 BARS 20" OUT TOP OF WALLS (SPA@12"C/C)
 6. REINFORCING PER ASTM A615 (GRADE 60).
 - WALLS (As .31) #5 BARS AT 12" C.C.E.W.
 - FLOOR (As .31) #5 BARS AT 12" C.C.E.W.

Rim: 445' Rim to Invert: 4' Slack: 0" Sump: 0" Step Position:

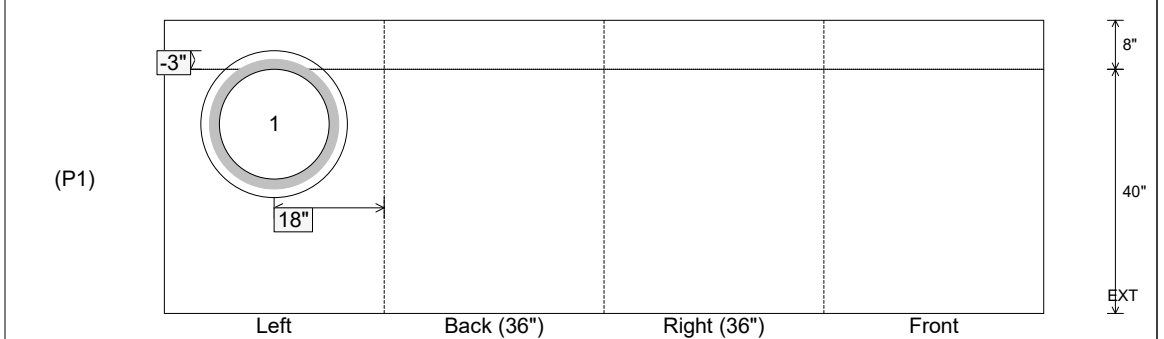
| Position | Elev | Angle | Ext. (cw) | Pipe | Pipe OD | Connector | Hole | Horz Size | Up () | Offset |
|----------|------|-------|-----------|----------|---------|-----------|------|-----------|--------|--------|
| Invert 1 | 441' | 270° | 26" | 18" HDPE | 21.2" | Hole 24 | 24" | 24" | -3" | 0" |
| Invert 2 | | | | | | | | | | |
| Invert 3 | | | | | | | | | | |
| Invert 4 | | | | | | | | | | |
| Invert 5 | | | | | | | | | | |
| Invert 6 | | | | | | | | | | |
| Invert 7 | | | | | | | | | | |
| Invert 8 | | | | | | | | | | |

RIGHT-SIDE UP VIEW (int. dimensions)

UPSIDE-DOWN VIEW (int. dimensions)



INSIDE WALL DIMENSIONS



Coating (Int):
 Coating (Ext):

Seam Up: Flat
 Seam Dn: n/a

Wall Thickness: 8"
 Floor Height: 8"

Height (Int): 40"
 Height (Ext): 48"

Weight (Net): 6237 lb
 Volume (Net): 1.59cu.yd