

Job Name: 25-4430 KYTC Daviess Co Call 104 (2511035)

Job Location: Owensboro, KY

Contractor: Ragle, Inc.

PC: Andy Chambers

TECH: Jared - A

Plant: 100



Structure ID: 7230 (13)

Spec: KYTC

Type: DBI TYPE 3

Size: 36" x 36"

Rim: 444.6'

Invert: 441.1'

Rim to Invert: 3.5'

Sump: 0"

Floor (Top): 441.1'

Floor Height: 8"

Floor (Bot): 440.433'

Overall Height: 4.167'

Slack: 0"

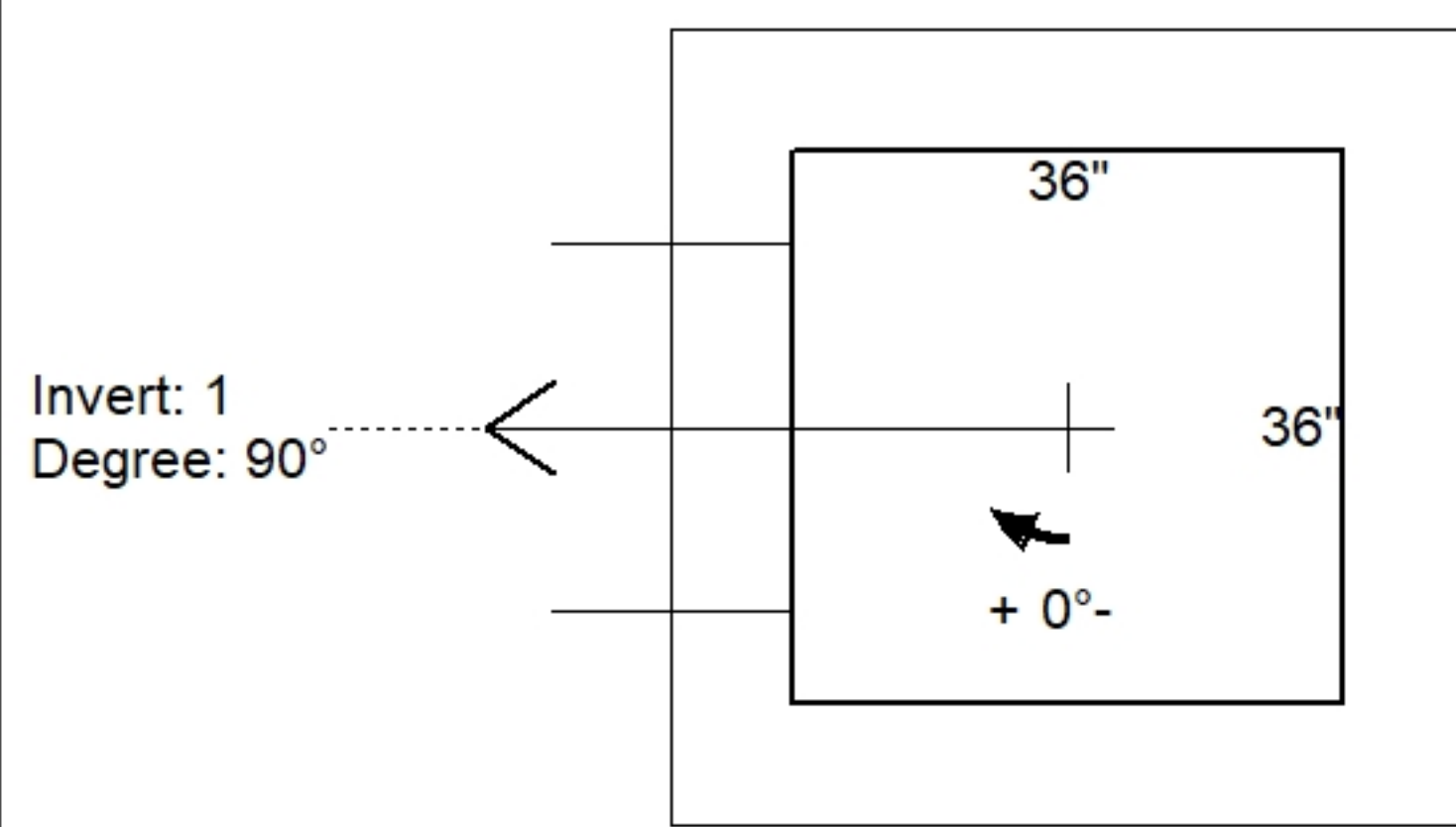
Structure Notes:

KYTC STATE PROJECT

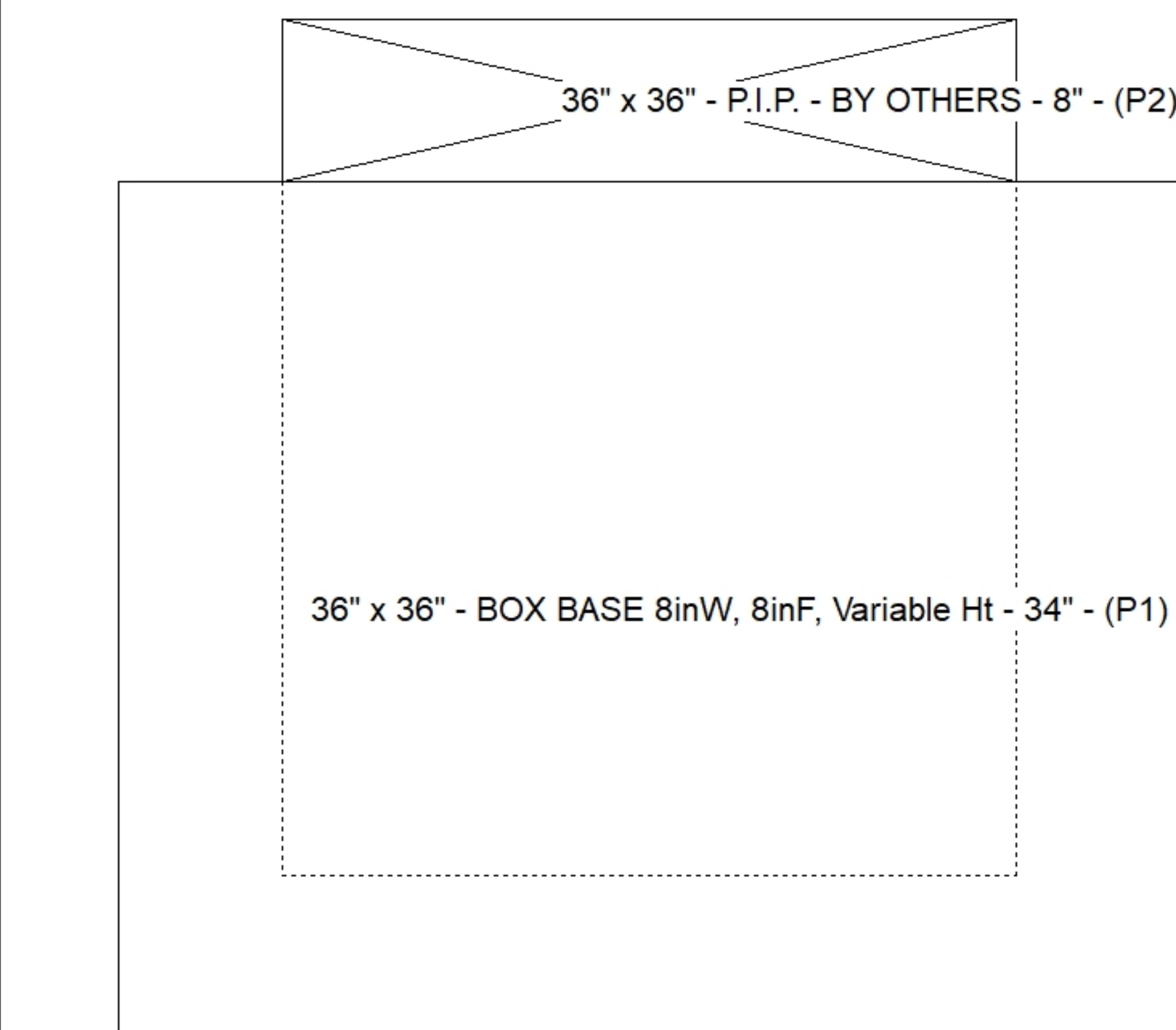
1. HOE KY-328 SET (DBI 3) PROVIDED BY ICAST.
2. KYTC DBI TYPE 3
3. PER ASTM C-913
4. DBI 3 F&G (BY CONTR)
5. STUB #5 BARS 20" OUT TOP OF WALLS (SPA@12"C/C)
6. REINFORCING PER ASTM A615 (GRADE 60).
 - WALLS (As .31) #5 BARS AT 12" C.C.E.W.
 - FLOOR (As .31) #5 BARS AT 12" C.C.E.W.

STRUCTURE SUMMARY:

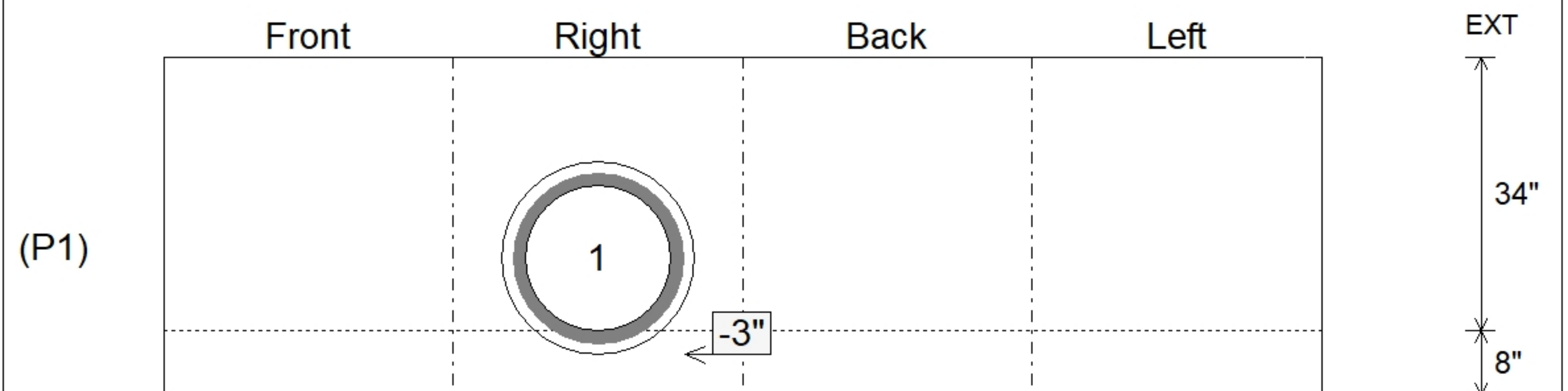
P2) 36" x 36" - P.I.P. - BY OTHERS - 8"	0 lb
P1) 36" x 36" - BOX BASE 8inW, 8inF, Variable Ht - 34"	5529 lb
1) CASTING - HOE KY-328 SET (DBI 3)	328 lb
1) Hole - 24	0 lb
Structure Total:	5857 lb



Position	Elev	Angle	Pipe	Pipe OD	Hole	Connector	Up (L)	Ref
Rim	444.6'							
Reducer								
Invert 1	441.1'	90°	18" HDPE	21.2"	24"	Hole 24	-3"	P1
Invert 2								
Invert 3								
Invert 4								
Invert 5								
Invert 6								
Invert 7								
Invert 8								



Default - Interior Dimensions



Submittal Drawing
3/13/2026 1:44:17 PM

SUBMITTAL
APPROVED BY: