

Job Name: 25-4430 KYTC Daviess Co Call 104 (2511035)  
 Job Location: Owensboro, KY  
 Contractor: Ragle, Inc.

Plant: 100

3/11/2026 2:13:43 PM

Tech: Jared - A

PC: Andy Chambers



**Structure ID: 7230 (13)**

**P1 BX3636-08BAVF**

**BOX BASE 8inW, 8inF, Variable Ht**

- P2) 36" x 36" - P.I.P. - BY OTHERS - 8"
- P1) 36" x 36" - BOX BASE 8inW, 8inF, Variable Ht - 34"
- 1) CASTING - HOE KY-328 SET (DBI 3)
- 1) Hole - 24"

0 lb  
 5529 lb  
 328 lb  
 0 lb  
 -----  
 Structure Total: 5857 lb

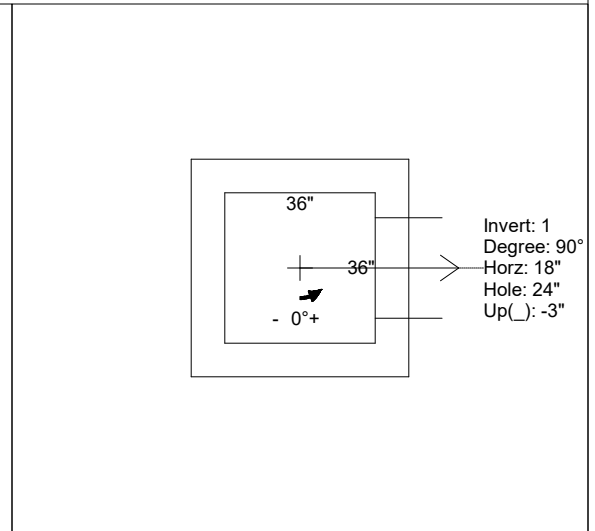
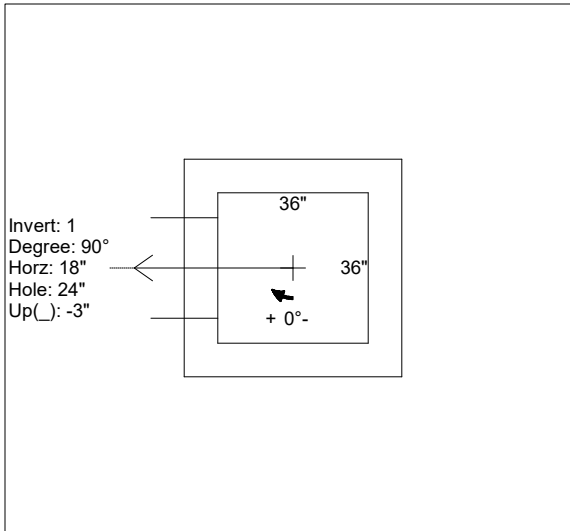
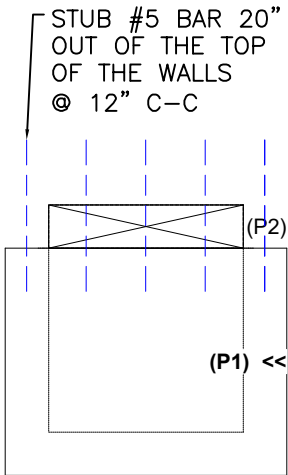
- Structure Notes:**  
 \*\*KYTC STATE PROJECT\*\*  
 1. HOE KY-328 SET (DBI 3) PROVIDED BY ICAST.  
 2. KYTC DBI TYPE 3  
 3. PER ASTM C-913  
 4. DBI 3 F&G (BY CONTR)  
 5. STUB #5 BARS 20" OUT TOP OF WALLS (SPA@12"C/C)  
 6. REINFORCING PER ASTM A615 (GRADE 60).  
 - WALLS (As .31) #5 BARS AT 12" C.C.E.W.  
 - FLOOR (As .31) #5 BARS AT 12" C.C.E.W.

Rim: 444.6' Rim to Invert: 3.5' Slack: 0" Sump: 0" Step Position:

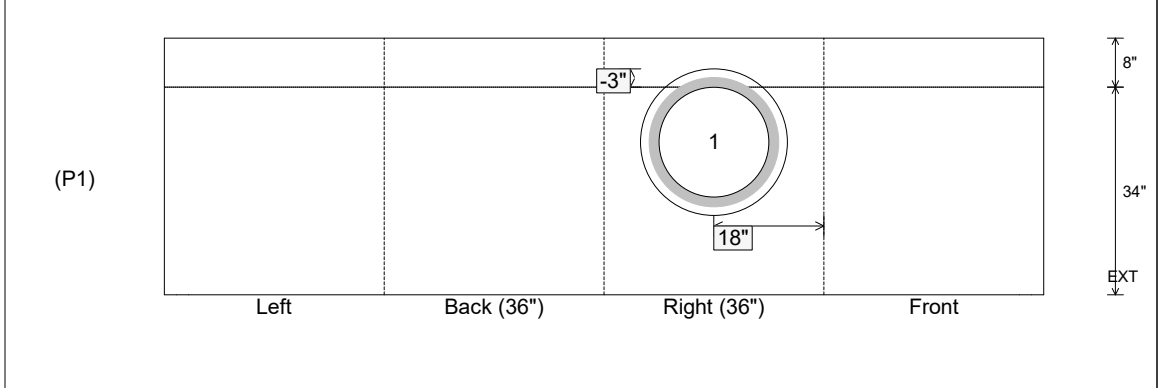
Position	Elev	Angle	Ext. (cw)	Pipe	Pipe OD	Connector	Hole	Horz Size	Up ( )	Offset
Invert 1	441.1'	90°	26"	18" HDPE	21.2"	Hole 24	24"	24"	-3"	0"
Invert 2										
Invert 3										
Invert 4										
Invert 5										
Invert 6										
Invert 7										
Invert 8										

RIGHT-SIDE UP VIEW (int. dimensions)

UPSIDE-DOWN VIEW (int. dimensions)



INSIDE WALL DIMENSIONS



Coating (Int):  
 Coating (Ext):

Seam Up: Flat  
 Seam Dn: n/a

Wall Thickness: 8"  
 Floor Height: 8"

Height (Int): 34"  
 Height (Ext): 42"

Weight (Net): 5529 lb  
 Volume (Net): 1.41cu.yd