

Job Name: 25-4430 KYTC Daviess Co Call 104 (2511035)

Job Location: Owensboro, KY

Contractor: Ragle, Inc.

PC: Andy Chambers

TECH: Jared - A

Plant: 100



Structure ID: 7101 (29)

Spec: KYTC

Type: MH A

Size: 60"

Rim: 447'

Invert: 439.67'

Rim to Invert: 7.33'

Sump: 4"

Floor (Top): 439.337'

Floor Height: 8"

Floor (Bot): 438.67'

Overall Height: 8.25'

Slack: 0.96"

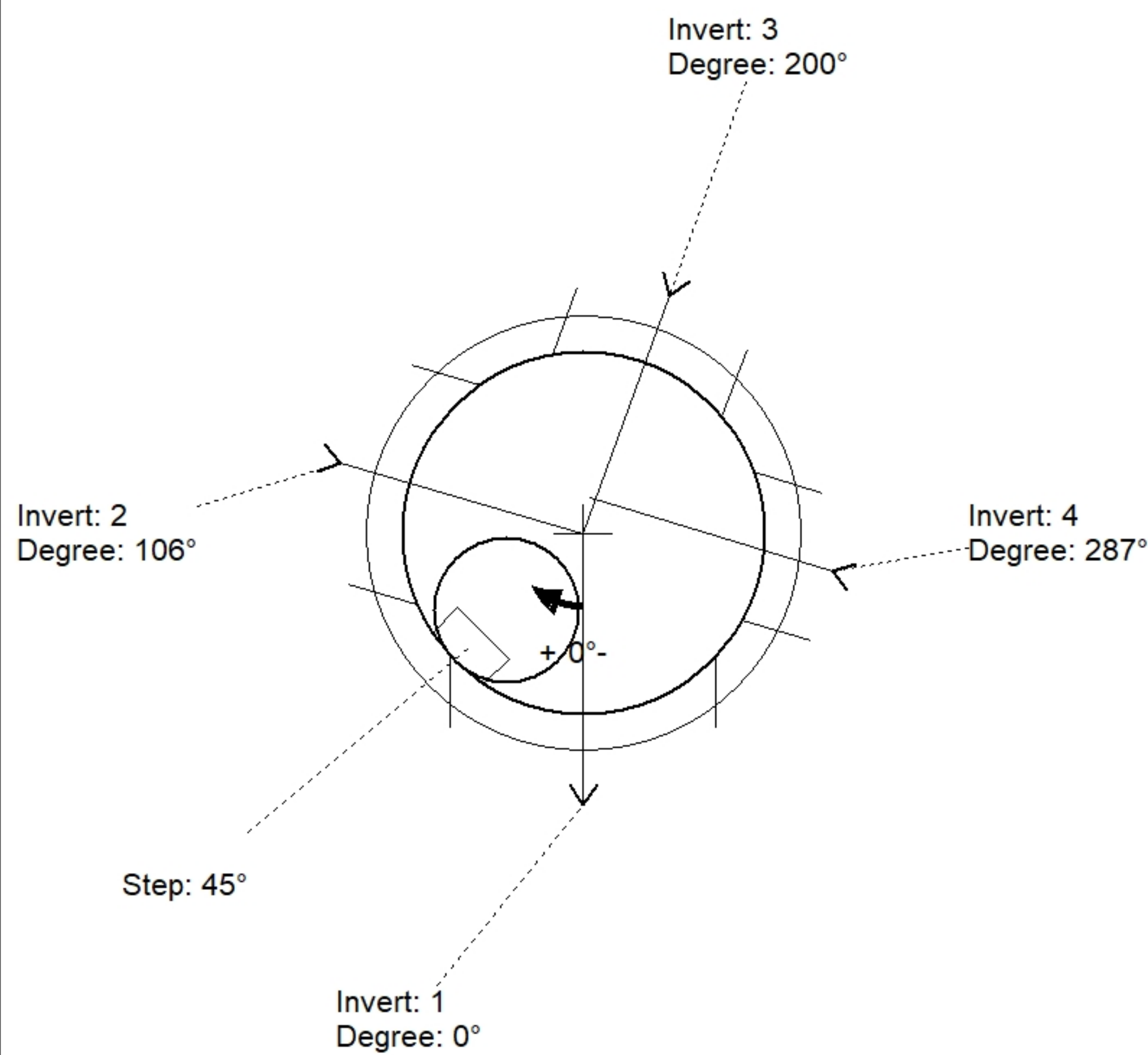
Structure Notes:

****KYTC STATE PROJECT****

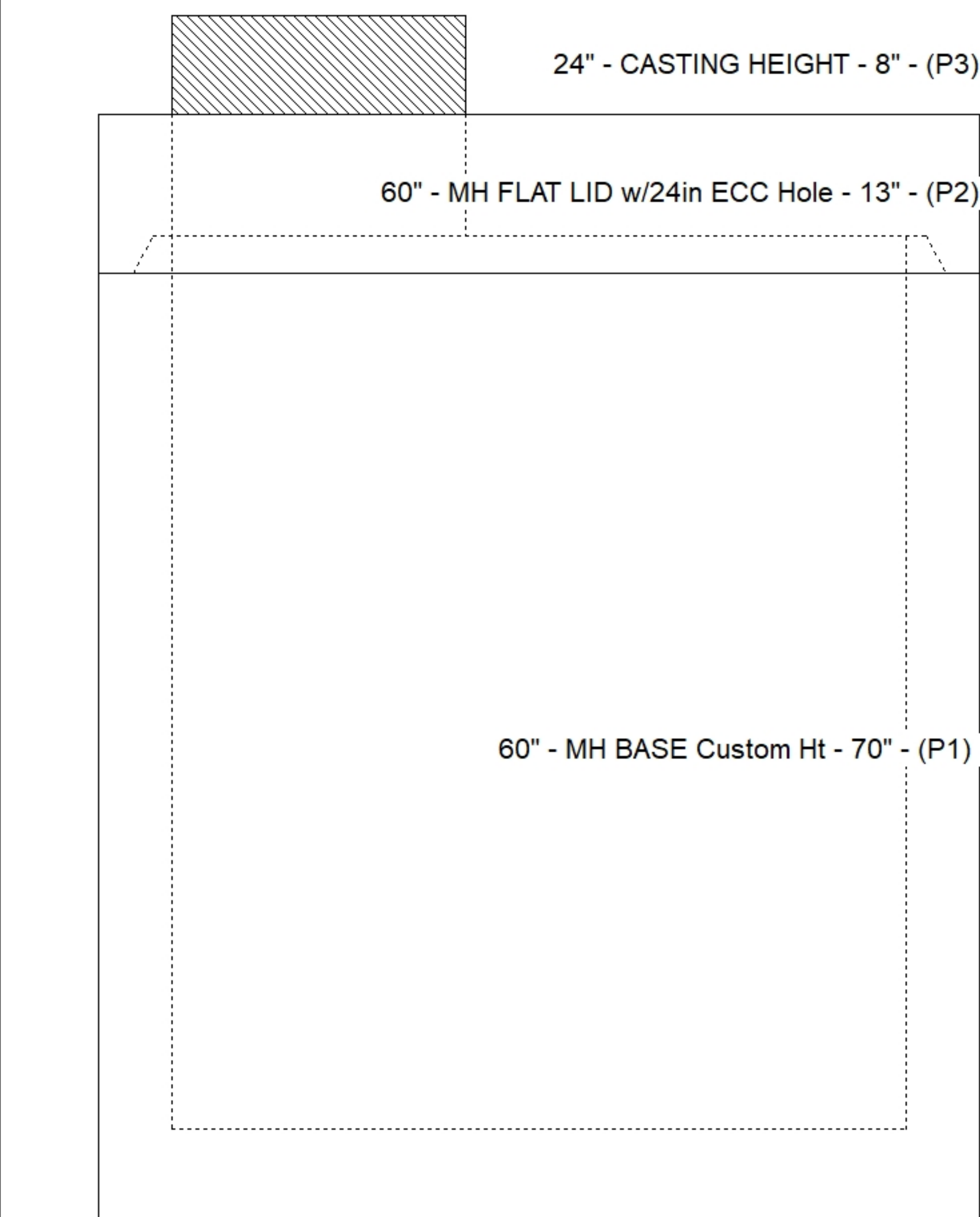
1. HOE KY-510 F/C (KY TY2) PROVIDED BY ICAST.
2. PER KYTC MH A / ASTM C478 SPEC'S.
3. CONCRETE = 4,000 PSI AT 28 DAYS.
4. REINFORCING PER ASTM A615 (GRADE 60.)
 - TOP SLAB (As .62) #5 BARS AT 6" C.C.E.W.
 - RISER/WALLS (As .12)
 - FLOOR (As .31) #5 BARS AT 12" C.C.E.W.

STRUCTURE SUMMARY:

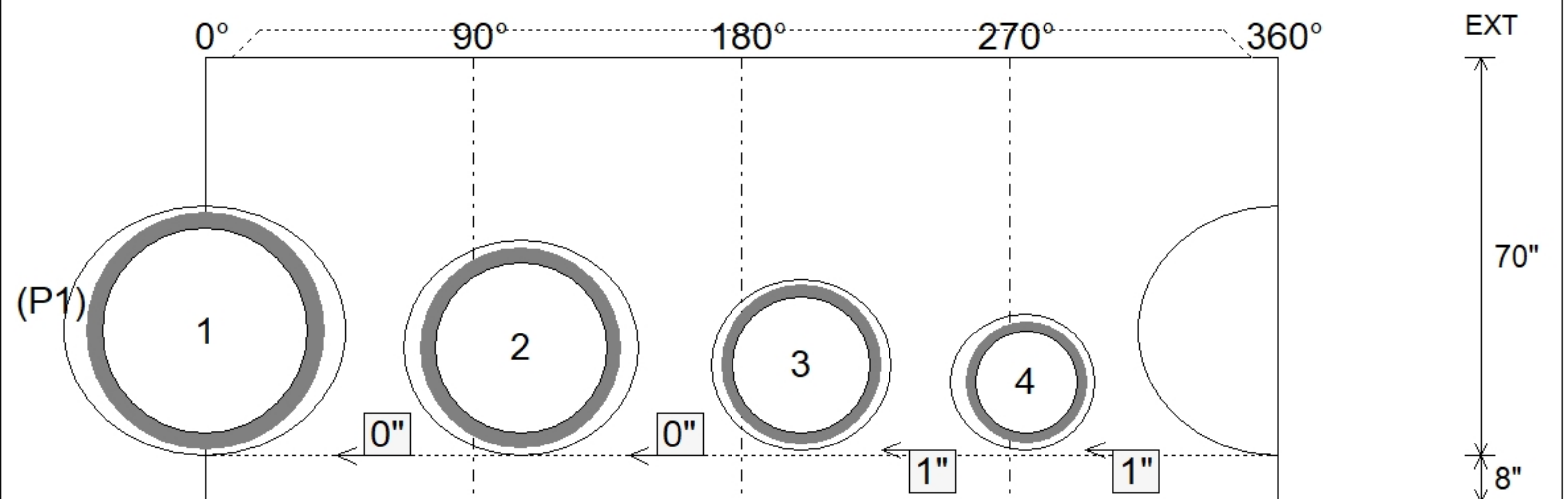
P3) 24" - CASTING HEIGHT - 8"	0 lb
P2) 60" - MH FLAT LID w/24in ECC Hole - 13"	2800 lb
P1) 60" - MH BASE Custom Ht - 70"	7981 lb
1) CASTING - HOE KY-510 F/C (KY TY.2)	510 lb
1) 60" - Conseal CS-102 1.00"	0 lb
1) Hole - 44	0 lb
1) Hole - 38	0 lb
1) Hole - 30	0 lb
1) Hole - 24	0 lb
6) MH Step ML-10-TDS-NCR - 10"	0 lb
Structure Total:	11291 lb



Position	Elev	Angle	Pipe	Pipe OD	Hole	Connector	Up ()	Ref
Rim	447'							
Reducer								
Invert 1	439.67'	0°	36" HDPE	41.7"	44"	Hole 44	0"	P1
Invert 2	439.67'	106°	30" HDPE	35.1"	38"	Hole 38	0"	P1
Invert 3	439.67'	200°	24" HDPE	27.8"	30"	Hole 30	1"	P1
Invert 4	439.67'	287°	18" HDPE	21.2"	24"	Hole 24	1"	P1
Invert 5								
Invert 6								
Invert 7								
Invert 8								



Default - Interior Dimensions



Submittal Drawing
3/13/2026 1:44:25 PM

SUBMITTAL
APPROVED BY: