

Job Name: 25-4430 KYTC Daviess Co Call 104 (2511035)
 Job Location: Owensboro, KY
 Contractor: Ragle, Inc.

Plant: 100

3/11/2026 2:13:56 PM

Tech: Jared - A

PC: Andy Chambers



Structure ID: 7101 (29)

P1 MH060BAVF

MH BASE Custom Ht

- P3) 24" - CASTING HEIGHT - 8"
- P2) 60" - MH FLAT LID w/24in ECC Hole - 13"
- P1) 60" - MH BASE Custom Ht - 70"
- 1) CASTING - HOE KY-510 F/C (KY TY.2)
- 1) 60" - Conseal CS-102 1.00"
- 1) Hole - 44
- 1) Hole - 38
- 1) Hole - 30
- 1) Hole - 24
- 6) MH Step ML-10-TDS-NCR - 10"

- 0 lb
- 2800 lb
- 7981 lb
- 510 lb
- 0 lb
- 0 lb
- 0 lb
- 0 lb
- 0 lb
- 0 lb

Structure Notes:

- **KYTC STATE PROJECT**
- 1. HOE KY-510 F/C (KY TY.2) PROVIDED BY ICAST.
- 2. PER KYTC MH A / ASTM C478 SPEC'S.
- 3. CONCRETE = 4,000 PSI AT 28 DAYS.
- 4. REINFORCING PER ASTM A615 (GRADE 60.)
- TOP SLAB (As .62) #5 BARS AT 6" C.C.E.W.
- RISER/WALLS (As .12)
- FLOOR (As .31) #5 BARS AT 12" C.C.E.W.

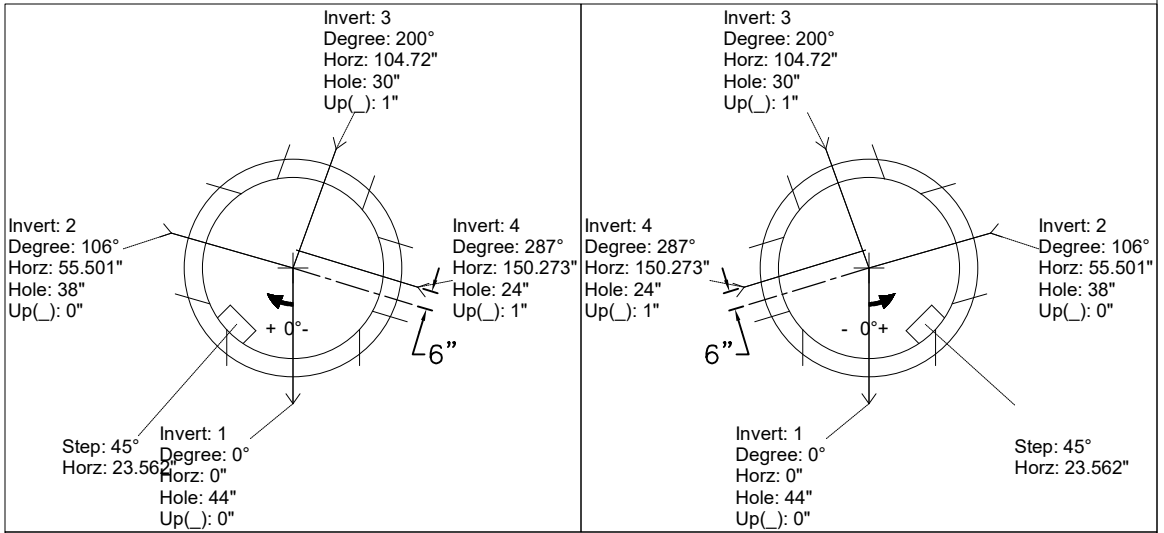
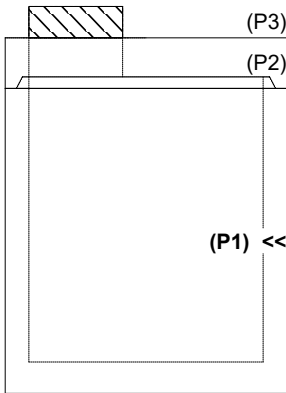
Structure Total: 11291 lb

Rim: 447' Rim to Invert: 7.33' Slack: 0.96" Sump: 4" Step Position: 0°

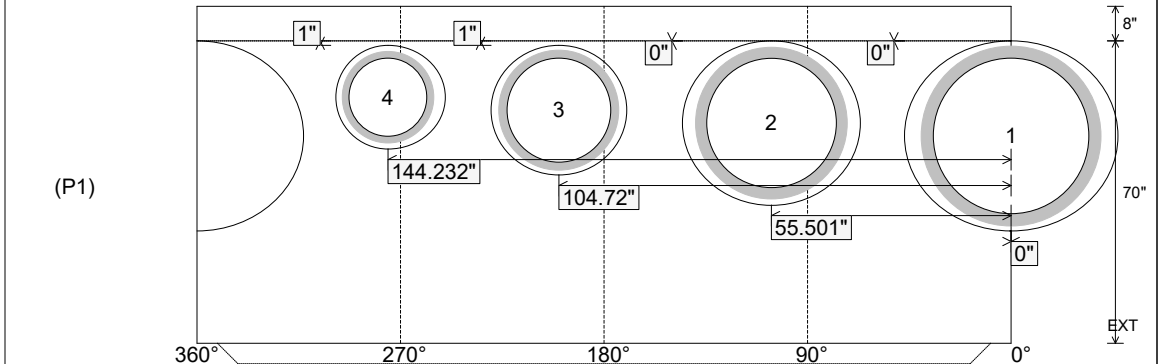
Position	Elev	Angle	Ext. (cw)	Pipe	Pipe OD	Connector	Hole	Horz Size	Up ()	Offset
Invert 1	439.67'	0°	0"	36" HDPE	41.7"	Hole 44	44"	49.393"	0"	0"
Invert 2	439.67'	106°	66.602"	30" HDPE	35.1"	Hole 38	38"	41.151"	0"	0"
Invert 3	439.67'	200°	125.664"	24" HDPE	27.8"	Hole 30	30"	31.416"	1"	0"
Invert 4	439.67'	287°	174.299"	18" HDPE	21.2"	Hole 24	24"	25.346"	1"	-6"
Invert 5										
Invert 6										
Invert 7										
Invert 8										

RIGHT-SIDE UP VIEW (int. dimensions)

UPSIDE-DOWN VIEW (int. dimensions)



INSIDE WALL DIMENSIONS



Coating (Int):
Coating (Ext):

Seam Up: Tongue
Seam Dn: n/a

Wall Thickness: 6"
Floor Height: 8"

Height (Int): 70"
Height (Ext): 78"

Weight (Net): 7981 lb
Volume (Net): 2.04cu.yd