

**Job Name: 25-4430 KYTC Daviess Co Call 104 (2511035)**

**Job Location: Owensboro, KY**

**Contractor: Ragle, Inc.**

PC: Andy Chambers

TECH: Jared - A

Plant: 100



Structure ID: 6252 (10)

Spec: KYTC

Type: CBI TYPE A (10')

Size: 24" x 36"

Rim: 454.51'

Invert: 449.51'

Rim to Invert: 5'

Sump: 0"

Floor (Top): 449.51'

Floor Height: 8"

Floor (Bot): 448.843'

Overall Height: 5.5'

Slack: 2"

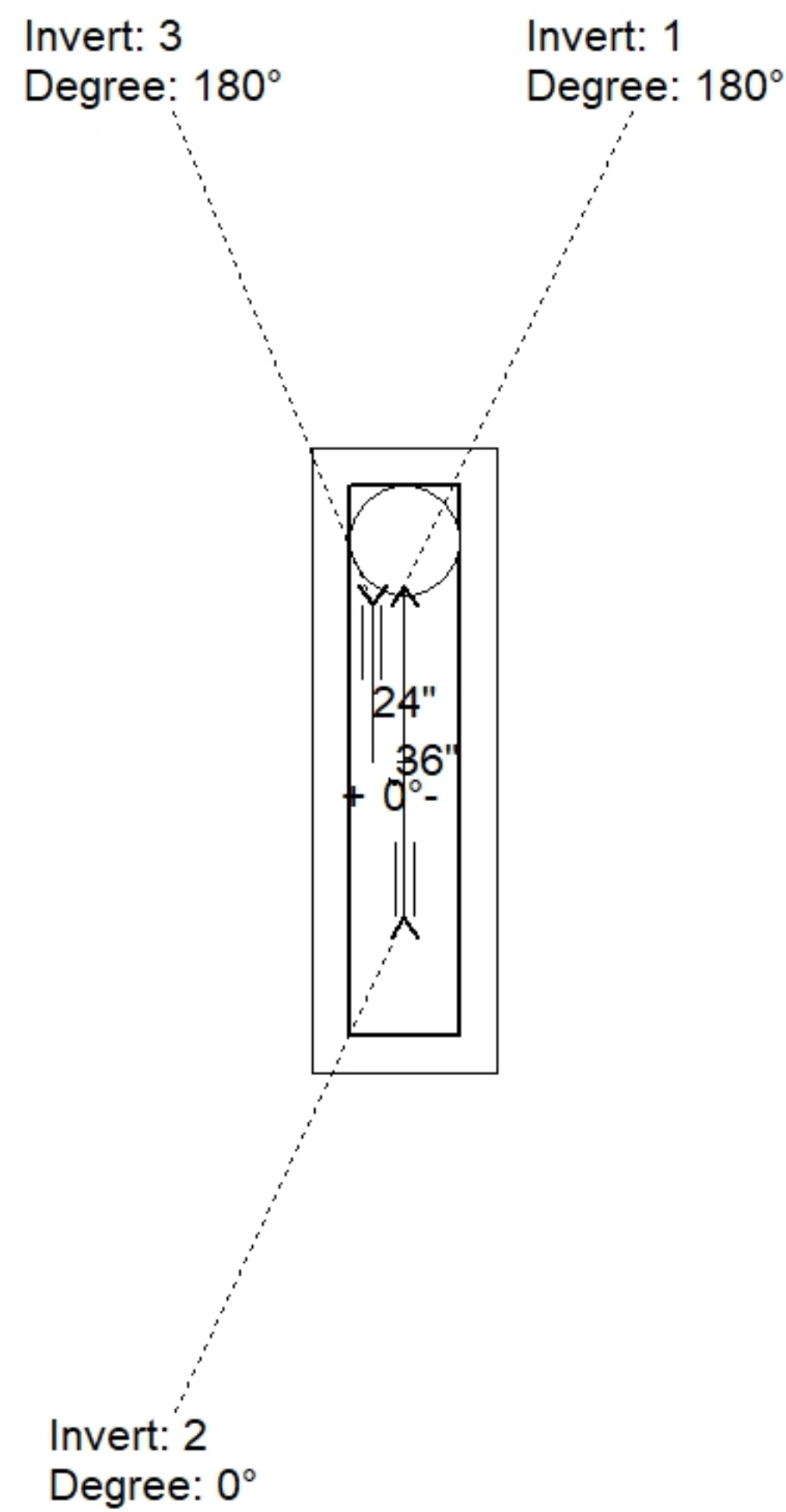
Structure Notes:

\*\* KYTC STATE PROJECT \*\*

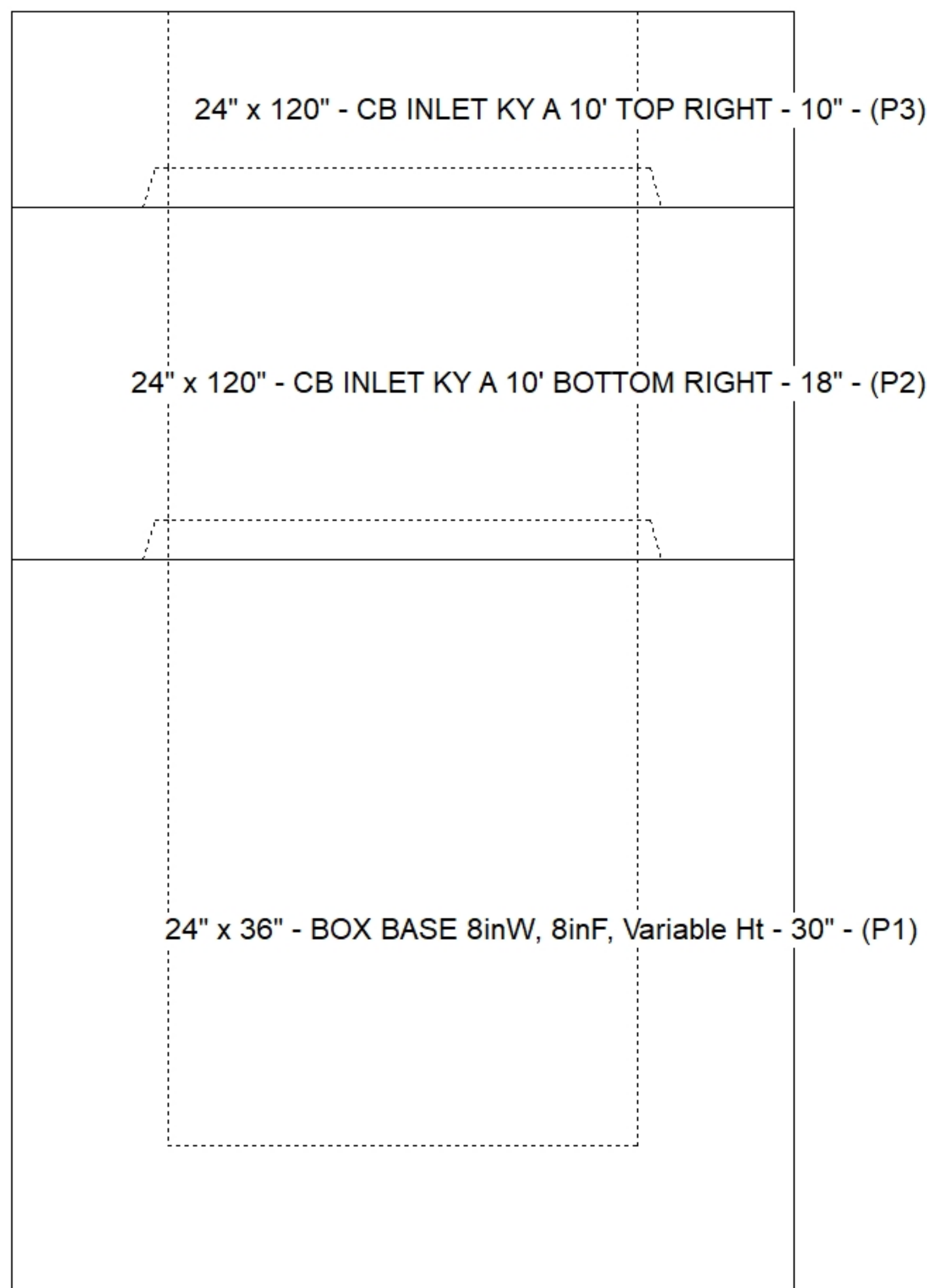
1. HOE KY-206 F/C (KY TY1) PROVIDED BY ICAST.
2. PER KYTC CBI TYPE A / ASTM C913 SPEC'S.
3. CONCRETE = 4,000 PI AT 28 DAYS.
4. NO INVERT CHANNEL.
5. REINFORCING PER ASTM A615 (GRADE 60).
  - TOP PHASE (As .62) #5 BARS AT 6" C.C.E.W.
  - WALLS (As .31) #5 BARS AT 12" C.C.E.W.
  - FLOOR (As .31) #5 BARS AT 12" C.C.E.W.
6. THE LISTED RIM ELEVATION IS THE GIVEN FLOWLINE ELEVATION +8".

STRUCTURE SUMMARY:

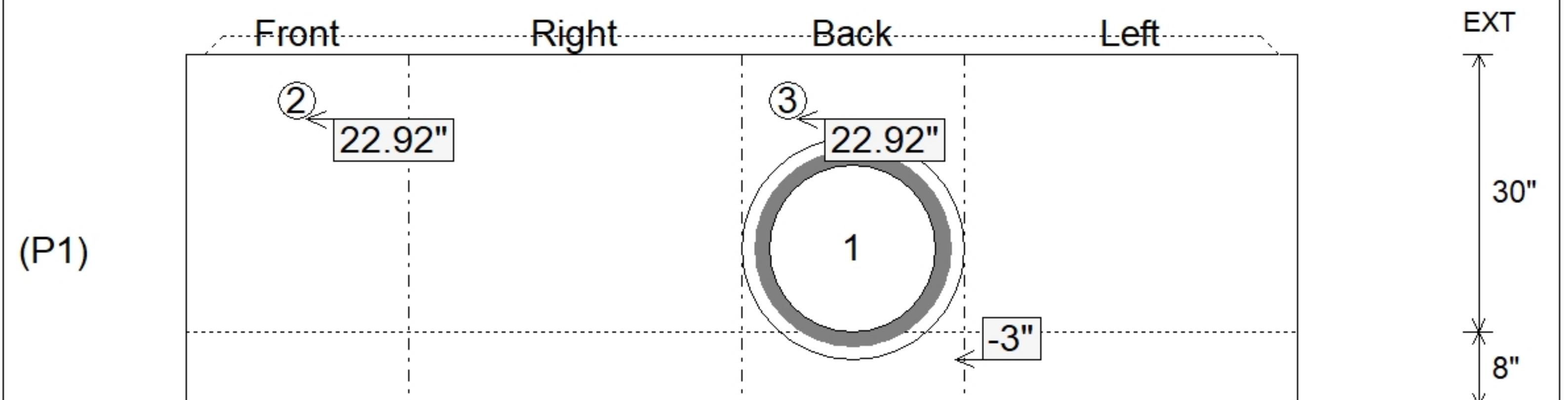
P3) 24" x 120" - CB INLET KY A 10' TOP RIGHT - 10"	3398 lb
P2) 24" x 120" - CB INLET KY A 10' BOTTOM RIGHT - 18"	5270 lb
P1) 24" x 36" - BOX BASE 8inW, 8inF, Variable Ht - 30"	4213 lb
1) CASTING - HOE KY-206 F/C (KY TY1)	206 lb
1) 24" x 36" - Conseal CS-102 1.00"	0 lb
1) Hole - 24	0 lb
2) Hole - 4	0 lb
<b>Structure Total:</b>	<b>13087 lb</b>



Position	Elev	Angle	Pipe	Pipe OD	Hole	Connector	Up ( )	Ref
Rim	454.51'							
Reducer								
Invert 1	449.51'	180°	18" HDPE	21.2"	24"	Hole 24	-3"	P1
Invert 2	451.42'	0°	4" WEEP HOLE	4"	4"	Hole 4	22.92"	P1
Invert 3	451.42'	180°	4" WEEP HOLE	4"	4"	Hole 4	22.92"	P1
Invert 4								
Invert 5								
Invert 6								
Invert 7								
Invert 8								



**Default - Interior Dimensions**



Submittal Drawing  
3/13/2026 1:44:16 PM

SUBMITTAL  
APPROVED BY: