

Job Name: 25-4430 KYTC Daviess Co Call 104 (2511035)
Job Location: Owensboro, KY
Contractor: Ragle, Inc.

PC: Andy Chambers
 TECH: Jared - A
 Plant: 100



Structure ID: **6001R (31)**
 Spec: KYTC
 Type: MH A
 Size: 48"

Rim: 451.31'
 Invert: 444.35'
 Rim to Invert: 6.96'

Sump: 3"
 Floor (Top): 444.1'
 Floor Height: 6"

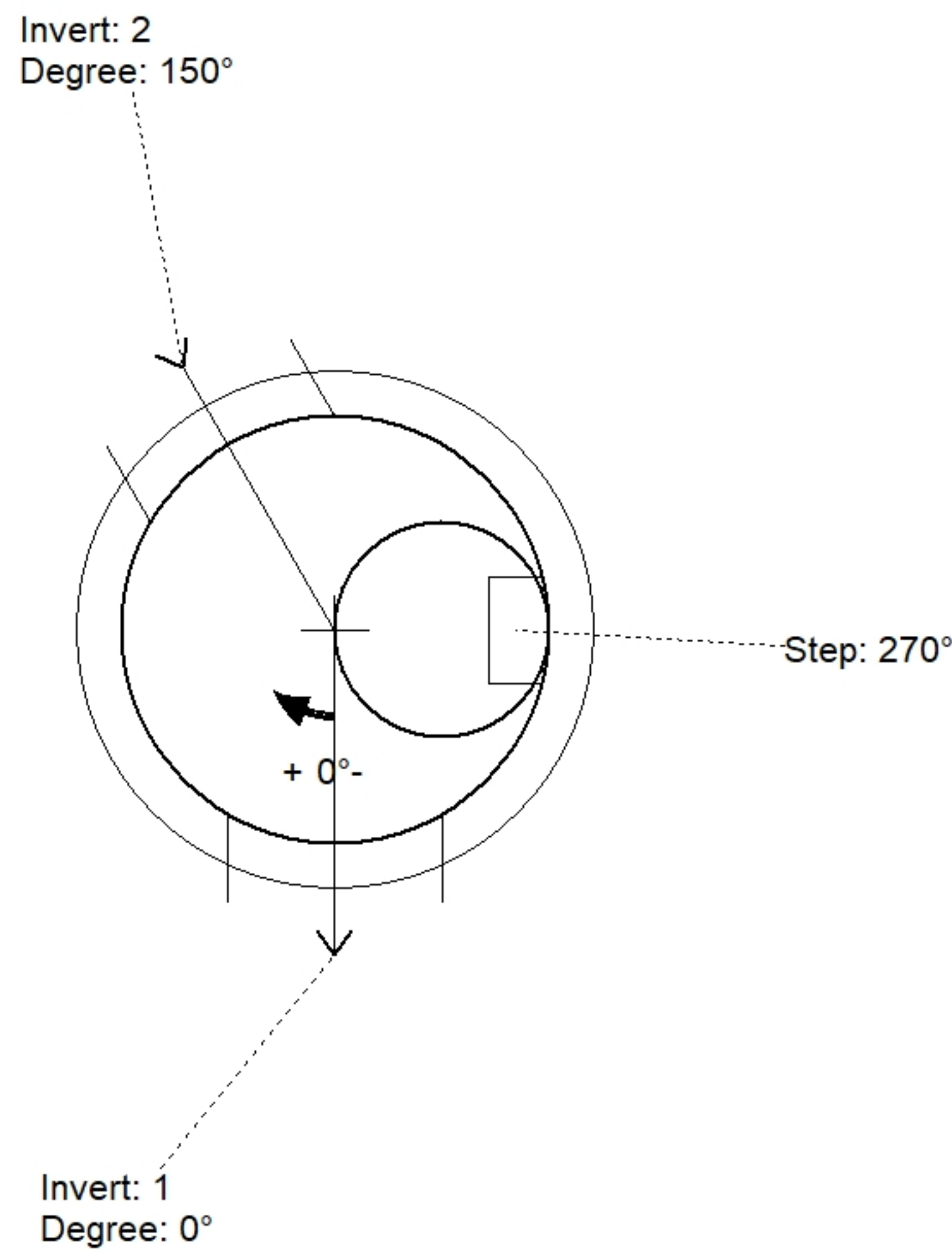
Floor (Bot): 443.6'
 Overall Height: 7.583'
 Slack: 1.52"

Structure Notes:

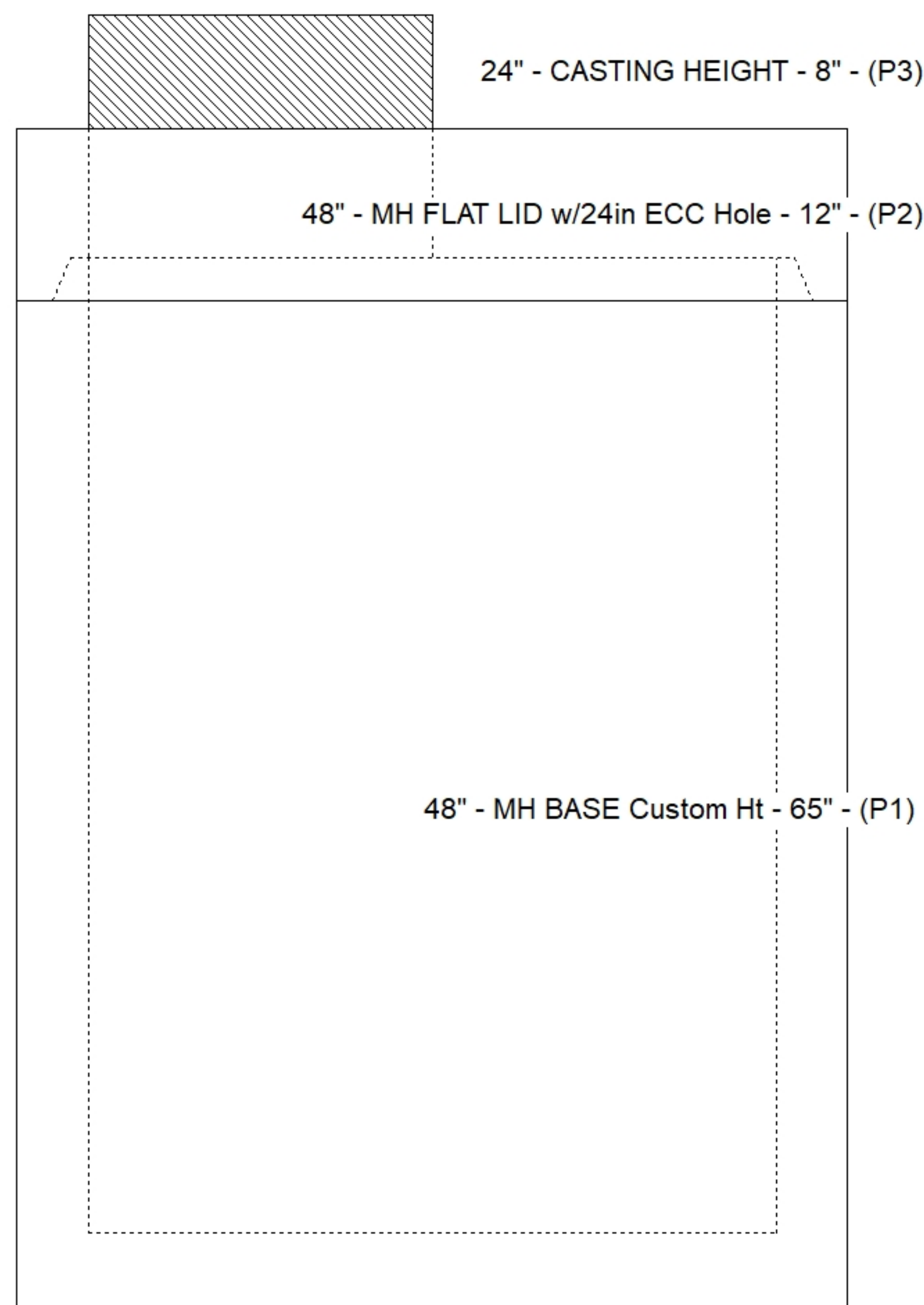
- **KYTC STATE PROJECT****
1. HOE KY-510 F/C (KY TY2) PROVIDED BY ICAST.
 2. PER KYTC MH A / ASTM C478 SPEC'S.
 3. CONCRETE = 4,000 PSI AT 28 DAYS.
 4. REINFORCING PER ASTM A615 (GRADE 60.)
 - TOP SLAB (As .62) #5 BARS AT 6" C.C.E.W.
 - RISER/WALLS (As .12)
 - FLOOR (As .31) #5 BARS AT 12" C.C.E.W.
 5. VERIFY THE STRUCTURE NAME.

STRUCTURE SUMMARY:

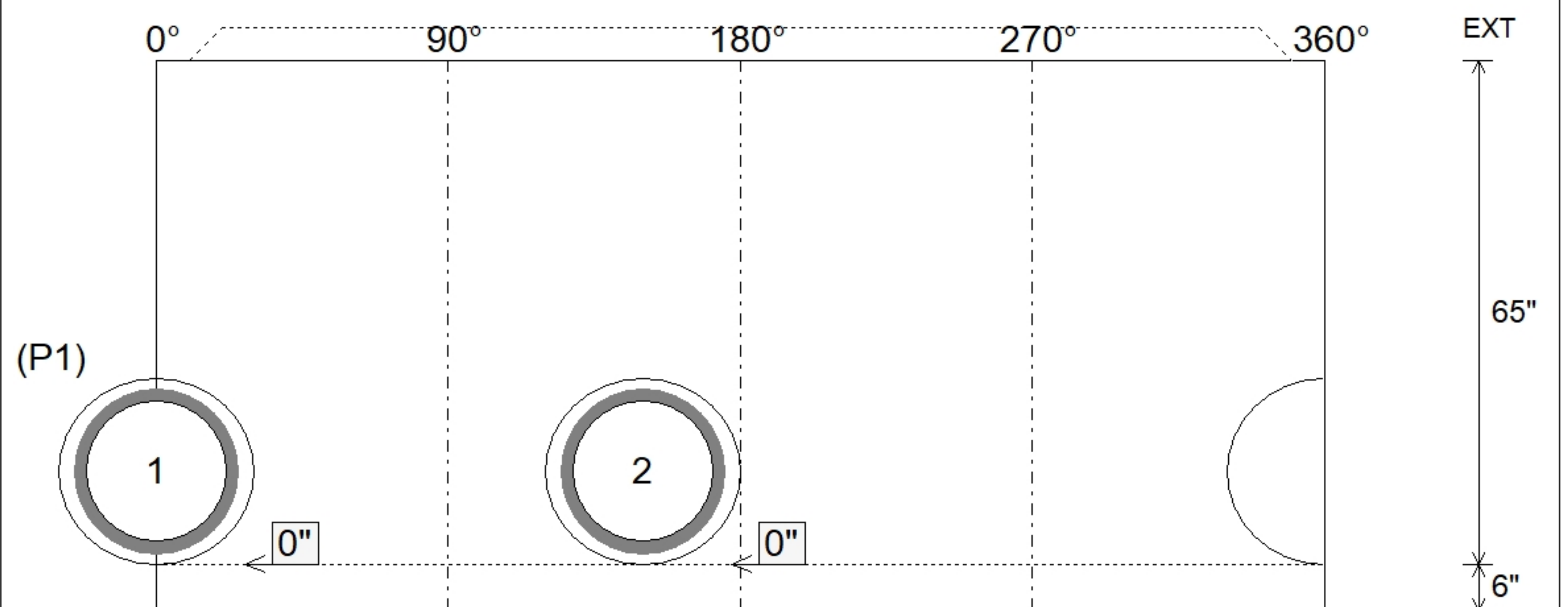
P3) 24" - CASTING HEIGHT - 8"	0 lb
P2) 48" - MH FLAT LID w/24in ECC Hole - 12"	1561 lb
P1) 48" - MH BASE Custom Ht - 65"	5477 lb
1) CASTING - HOE KY-510 F/C (KY TY.2)	510 lb
1) 48" - Conseal CS-102 1.00"	0 lb
2) Hole - 24	0 lb
5) MH Step ML-10-TDS-NCR - 10"	0 lb
Structure Total:	7548 lb



Position	Elev	Angle	Pipe	Pipe OD	Hole	Connector	Up ()	Ref
Rim	451.31'							
Reducer								
Invert 1	444.35'	0°	18" HDPE	21.2"	24"	Hole 24	0"	P1
Invert 2	444.35'	150°	18" HDPE	21.2"	24"	Hole 24	0"	P1
Invert 3								
Invert 4								
Invert 5								
Invert 6								
Invert 7								
Invert 8								



Default - Interior Dimensions



Submittal Drawing
 3/13/2026 1:44:26 PM

SUBMITTAL
 APPROVED BY: