

**Job Name: 25-4430 KYTC Daviess Co Call 104 (2511035)**  
**Job Location: Owensboro, KY**  
**Contractor: Ragle, Inc.**

PC: Andy Chambers  
 TECH: Jared - A  
 Plant: 100



Structure ID: **5070L (9)**  
 Spec: KYTC  
 Type: CBI TYPE A (10')  
 Size: 24" x 36"

Rim: 445.13'  
 Invert: 438.7'  
 Rim to Invert: 6.43'

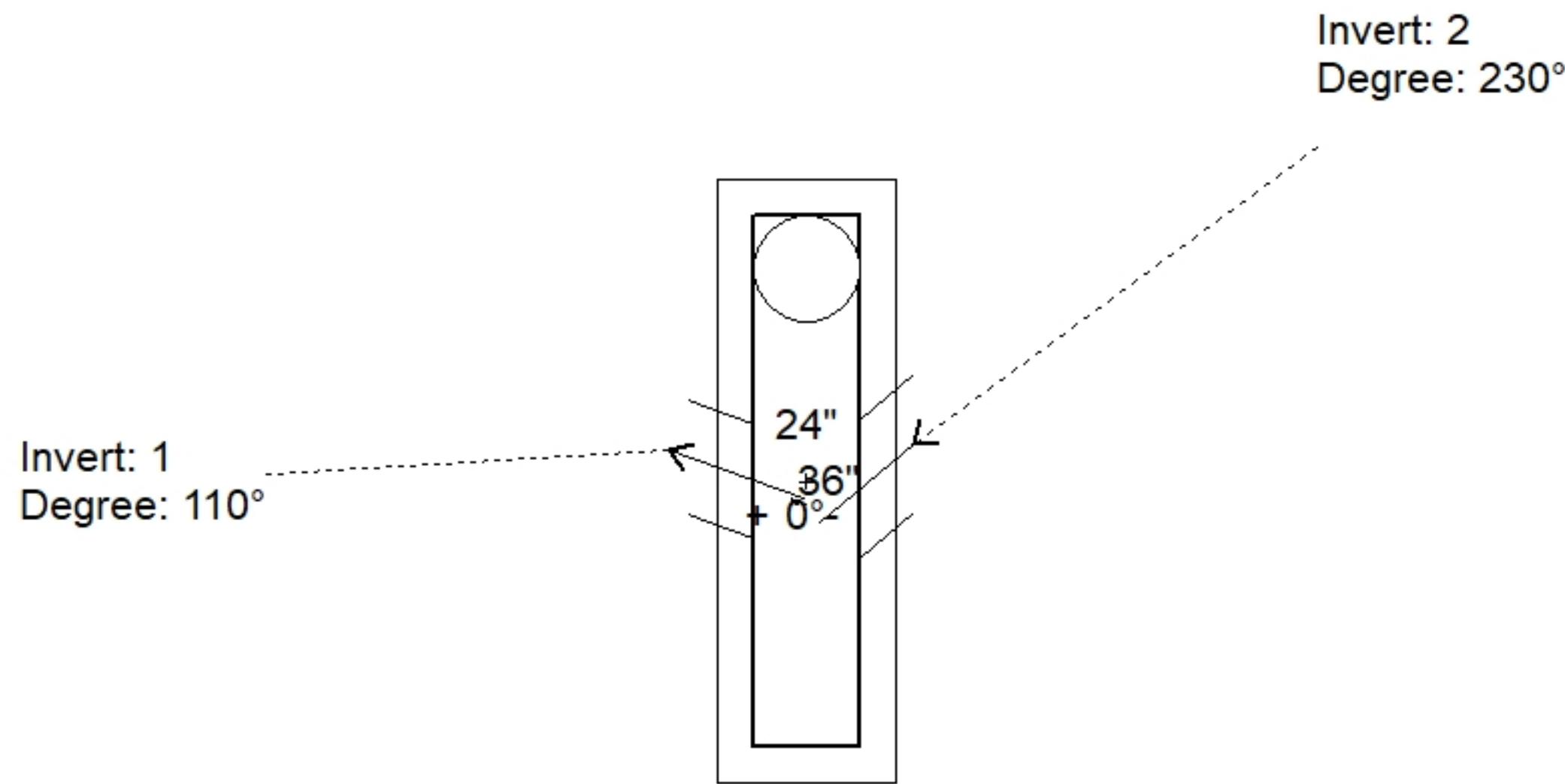
Sump: 0"  
 Floor (Top): 438.7'  
 Floor Height: 8"

Floor (Bot): 438.033'  
 Overall Height: 6.917'  
 Slack: 2.16"

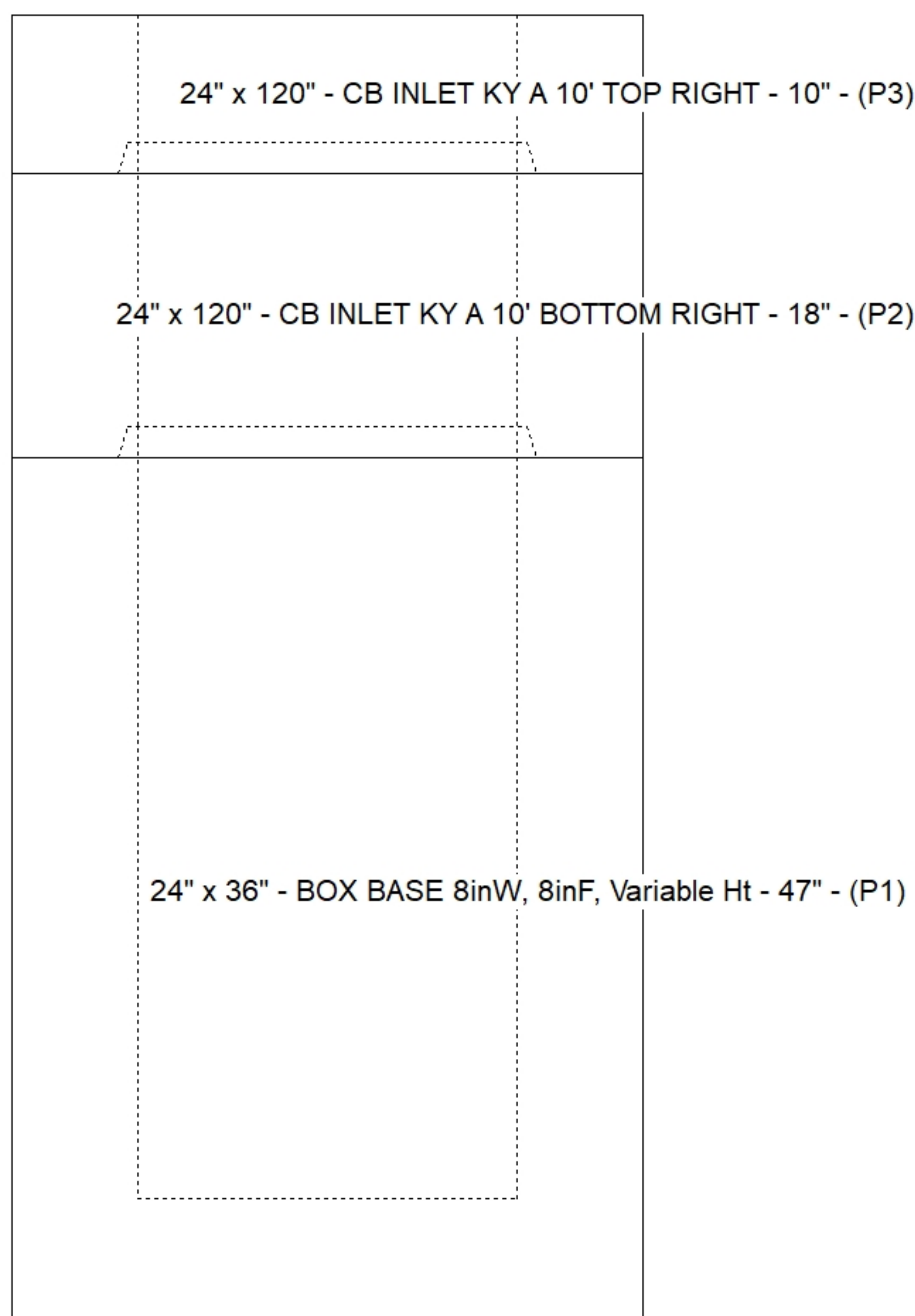
Structure Notes:  
 \*\* KYTC STATE PROJECT \*\*  
 1. HOE KY-206 F/C (KY TY1) PROVIDED BY ICAST.  
 2. PER KYTC CBI TYPE A / ASTM C913 SPEC'S.  
 3. CONCRETE = 4,000 PI AT 28 DAYS.  
 4. NO INVERT CHANNEL.  
 5. REINFORCING PER ASTM A615 (GRADE 60).  
 - TOP PHASE (As .62) #5 BARS AT 6" C.C.E.W.  
 - WALLS (As .31) #5 BARS AT 12" C.C.E.W.  
 - FLOOR (As .31) #5 BARS AT 12" C.C.E.W.  
 6. THE LISTED RIM ELEVATION IS THE GIVEN FLOWLINE ELEVATION +8".

STRUCTURE SUMMARY:

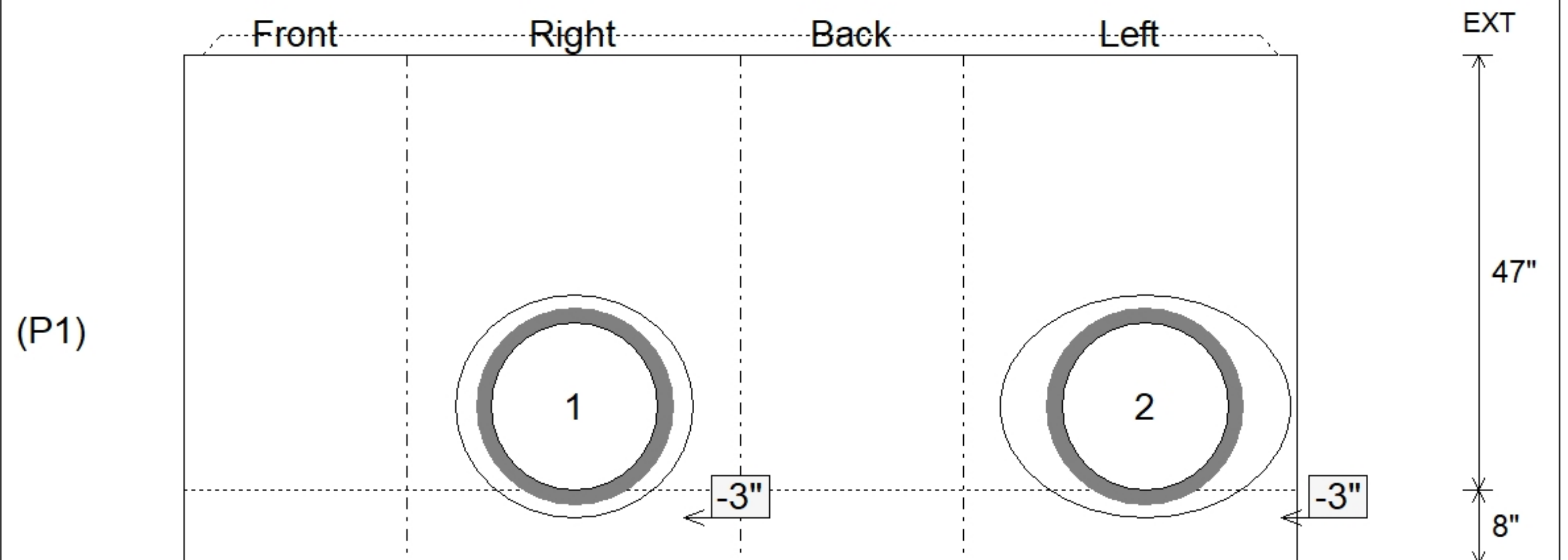
P3) 24" x 120" - CB INLET KY A 10' TOP RIGHT - 10"	3398 lb
P2) 24" x 120" - CB INLET KY A 10' BOTTOM RIGHT - 18"	5270 lb
P1) 24" x 36" - BOX BASE 8inW, 8inF, Variable Ht - 47"	5472 lb
1) CASTING - HOE KY-206 F/C (KY TY1)	206 lb
1) 24" x 36" - Conseal CS-102 1.00"	0 lb
2) Hole - 24	0 lb
<b>Structure Total:</b>	<b>14346 lb</b>



Position	Elev	Angle	Pipe	Pipe OD	Hole	Connector	Up ( )	Ref
Rim	445.13'							
Reducer								
Invert 1	438.7'	110°	18" HDPE	21.2"	24"	Hole 24	-3"	P1
Invert 2	438.7'	230°	18" HDPE	21.2"	24"	Hole 24	-3"	P1
Invert 3								
Invert 4								
Invert 5								
Invert 6								
Invert 7								
Invert 8								



Default - Interior Dimensions



Submittal Drawing  
 3/13/2026 1:44:15 PM

SUBMITTAL  
 APPROVED BY: