

Job Name: 25-4430 KYTC Daviess Co Call 104 (2511035)  
 Job Location: Owensboro, KY  
 Contractor: Ragle, Inc.

Plant: 100

3/11/2026 2:13:48 PM

Tech: Jared - A

PC: Andy Chambers



**Structure ID: 4970 (21)**

**P1 BX2460-08BAVF**

**BOX BASE 8inW, 8inF, Variable Ht**

- P3) 15" x 59" - P.I.P. - BY OTHERS - 8"
- P2) 24" x 60" - BX FLAT LID 8inW, w/15"x59" HOLE (KYTC DBI-13S) - 8"
- P1) 24" x 60" - BOX BASE 8inW, 8inF, Variable Ht - 45"
- 1) CASTING - HOE KY-230-S F/G (SAG)
- 1) SECONDARY POUR - Walls
- 1) 24" x 60" - Conseal CS-102 1.00"
- 1) Hole - 24
- 2) Hole - 4

- Structure Notes:**
- \*\*KYTC STATE PROJECT\*\*
  - 1. HOE KY-230-S F/G (SAG) PROVIDED BY ICAST.
  - 2. KYTC DBI TYPE 13S / ASTM C-913 SPEC'S.
  - 3. CONCRETE = 4,000 PSI AT 28 DAYS.
  - 4. NO INVERT CHANNEL.
  - 5. REINFORCING PER ASTM A615 (GRADE 60).
    - TOP SLAB (As .62) #5 BARS AT 6" C.C.E.W. (DBL MAT).
    - WALLS (As .31) #5 BARS AT 12" C.C.E.W..
    - FLOOR (As .31) #5 BARS AT 12" C.C.E.W.
  - 6. STUB #5 BARS 12" OUT OF THE TOP OF THE SLAB (SPACED AT 12" CC) AROUND THE 15" X 59".

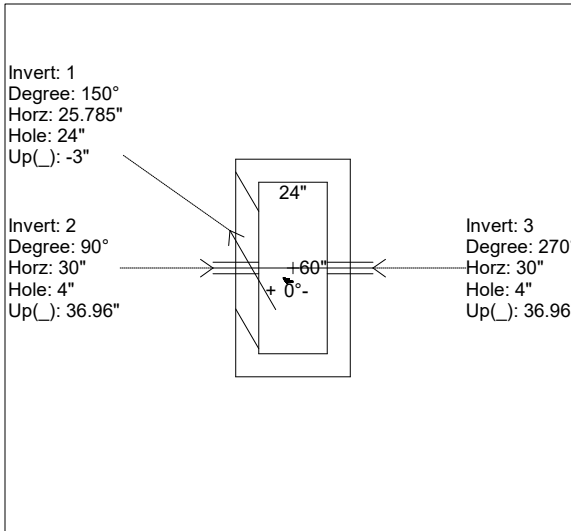
Structure Total: 9393 lb

**FIRST POUR DRAWING**

Rim: 450.45' Rim to Invert: 5.25' Slack: 2" Sump: 0" Step Position:

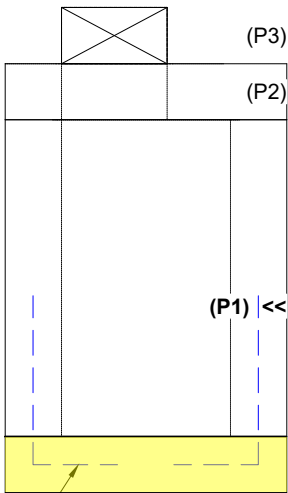
Position	Elev	Angle	Ext. (cw)	Pipe	Pipe OD	Connector	Hole	Horz Size	Up ( )	Offset
Invert 1	445.2'	150°	47.641"	18" HDPE	21.2"	Hole 24	24"	48"	-3"	-12.5"
Invert 2	448.28'	90°	38"	4" WEEP HOLE	4"	Hole 4	4"	4"	36.96"	0"
Invert 3	448.28'	270°	38"	4" WEEP HOLE	4"	Hole 4	4"	4"	36.96"	0"
Invert 4										
Invert 5										
Invert 6										
Invert 7										
Invert 8										

**RIGHT-SIDE UP VIEW (int. dimensions)**



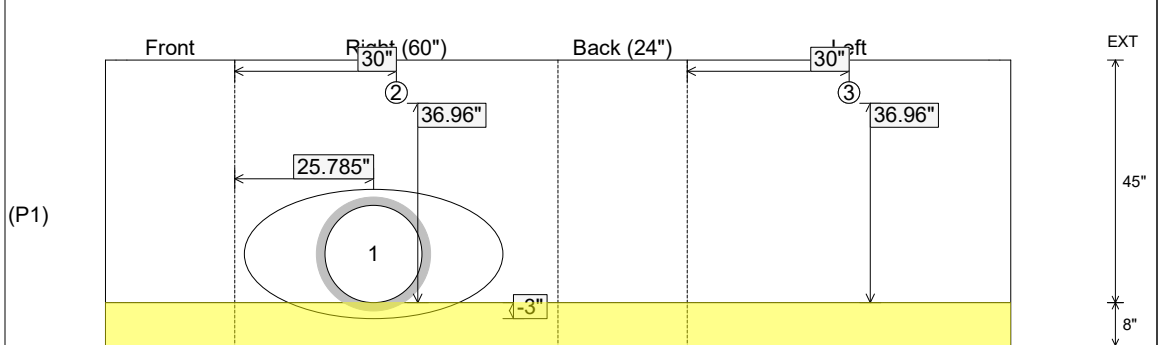
**WEIGHTS:**

**FIRST POUR - 2,041 LBS**  
**SECOND POUR - 5,417 LBS**  
**TOTAL - 7,458 LBS**



12" X 24" #5 "L" BAR  
 @ 12" ON CENTER TIED  
 INTO THE MAT

**INSIDE WALL DIMENSIONS**



Coating (Int): Coating (Ext):	Seam Up: Flat Seam Dn: n/a	Wall Thickness: 8" Floor Height: 8"	Height (Int): 45" Height (Ext): 53"	Weight (Net): 7458 lb Volume (Net): 1.9cu.yd
----------------------------------	-------------------------------	--	--	---

Job Name: 25-4430 KYTC Daviess Co Call 104 (2511035)  
 Job Location: Owensboro, KY  
 Contractor: Ragle, Inc.

Plant: 100

3/11/2026 2:13:48 PM

Tech: Jared - A

PC: Andy Chambers



**Structure ID: 4970 (21)**

**P1 BX2460-08BAVF**

**BOX BASE 8inW, 8inF, Variable Ht**

- P3) 15" x 59" - P.I.P. - BY OTHERS - 8"
- P2) 24" x 60" - BX FLAT LID 8inW, w/15"x59" HOLE (KYTC DBI-13S) - 8"
- P1) 24" x 60" - BOX BASE 8inW, 8inF, Variable Ht - 45"
- 1) CASTING - HOE KY-230-S F/G (SAG)
- 1) SECONDARY POUR - Walls
- 1) 24" x 60" - Conseal CS-102 1.00"
- 1) Hole - 24
- 2) Hole - 4

- Structure Notes:**
- \*\*KYTC STATE PROJECT\*\*
  - 1. HOE KY-230-S F/G (SAG) PROVIDED BY ICAST.
  - 2. KYTC DBI TYPE 13S / ASTM C-913 SPEC'S.
  - 3. CONCRETE = 4,000 PSI AT 28 DAYS.
  - 4. NO INVERT CHANNEL.
  - 5. REINFORCING PER ASTM A615 (GRADE 60).
    - TOP SLAB (As .62) #5 BARS AT 6" C.C.E.W. (DBL MAT).
    - WALLS (As .31) #5 BARS AT 12" C.C.E.W..
    - FLOOR (As .31) #5 BARS AT 12" C.C.E.W.
  - 6. STUB #5 BARS 12" OUT OF THE TOP OF THE SLAB (SPACED AT 12" CC) AROUND THE 15" X 59".

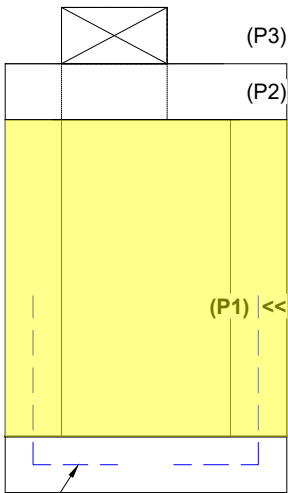
Structure Total: 9393 lb

**SECOND POUR DRAWING**

Rim: 450.45' Rim to Invert: 5.25' Slack: 2" Sump: 0" Step Position:

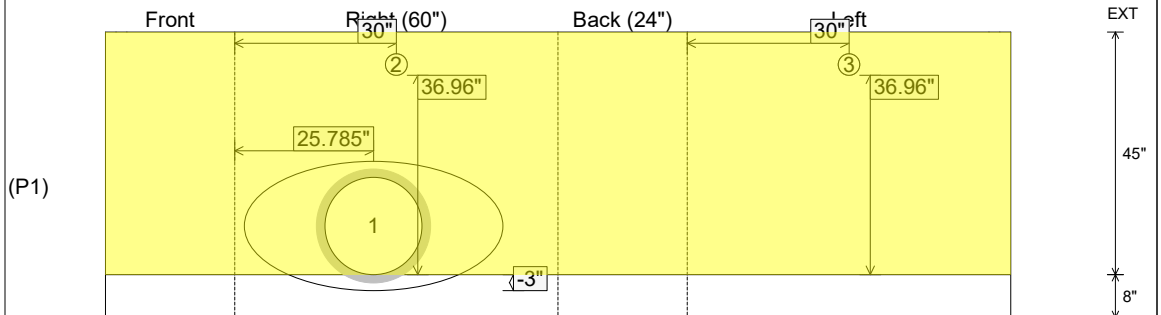
Position	Elev	Angle	Ext. (cw)	Pipe	Pipe OD	Connector	Hole	Horz Size	Up (L)	Offset
Invert 1	445.2'	150°	47.641"	18" HDPE	21.2"	Hole 24	24"	48"	-3"	-12.5"
Invert 2	448.28'	90°	38"	4" WEEP HOLE	4"	Hole 4	4"	4"	36.96"	0"
Invert 3	448.28'	270°	38"	4" WEEP HOLE	4"	Hole 4	4"	4"	36.96"	0"
Invert 4										
Invert 5										
Invert 6										
Invert 7										
Invert 8										

**RIGHT-SIDE UP VIEW (int. dimensions)**



**WEIGHTS:**  
**FIRST POUR - 2,041 LBS**  
**SECOND POUR - 5,417 LBS**  
**TOTAL - 7,458 LBS**

**INSIDE WALL DIMENSIONS**



Coating (Int):  
 Coating (Ext):

Seam Up: Flat  
 Seam Dn: n/a

Wall Thickness: 8"  
 Floor Height: 8"

Height (Int): 45"  
 Height (Ext): 53"

Weight (Net): 7458 lb  
 Volume (Net): 1.9cu.yd