

**Job Name: 25-4430 KYTC Daviess Co Call 104 (2511035)**  
**Job Location: Owensboro, KY**  
**Contractor: Ragle, Inc.**

PC: Andy Chambers  
 TECH: Jared - A  
 Plant: 100



Structure ID: 4940 (20)  
 Spec: KYTC  
 Type: DBI TYPE 13G  
 Size: 36" x 36"

Rim: 450.54'  
 Invert: 443.87'  
 Rim to Invert: 6.67'

Sump: 0"  
 Floor (Top): 443.87'  
 Floor Height: 8"

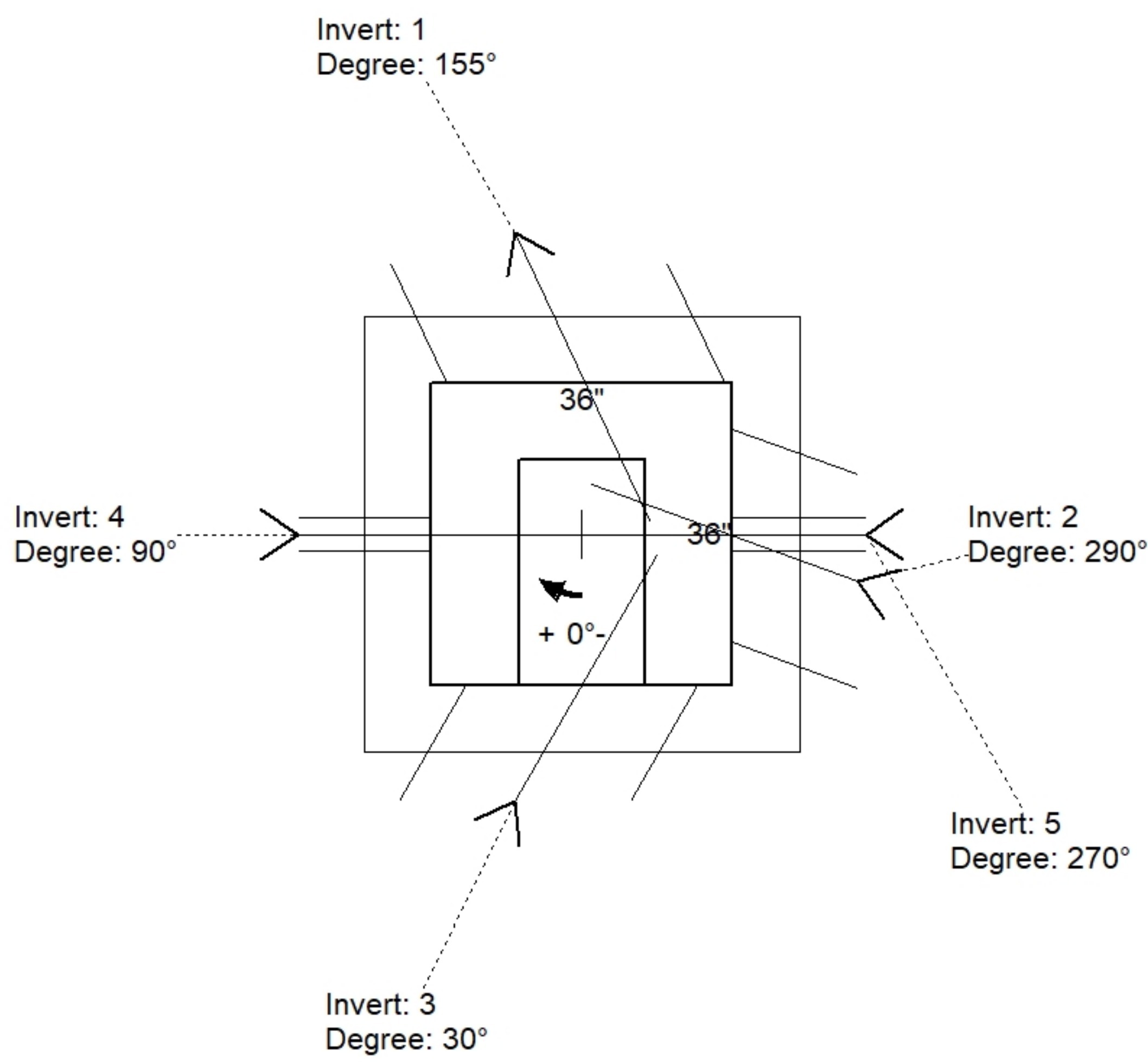
Floor (Bot): 443.203'  
 Overall Height: 7.167'  
 Slack: 2.04"

**Structure Notes:**

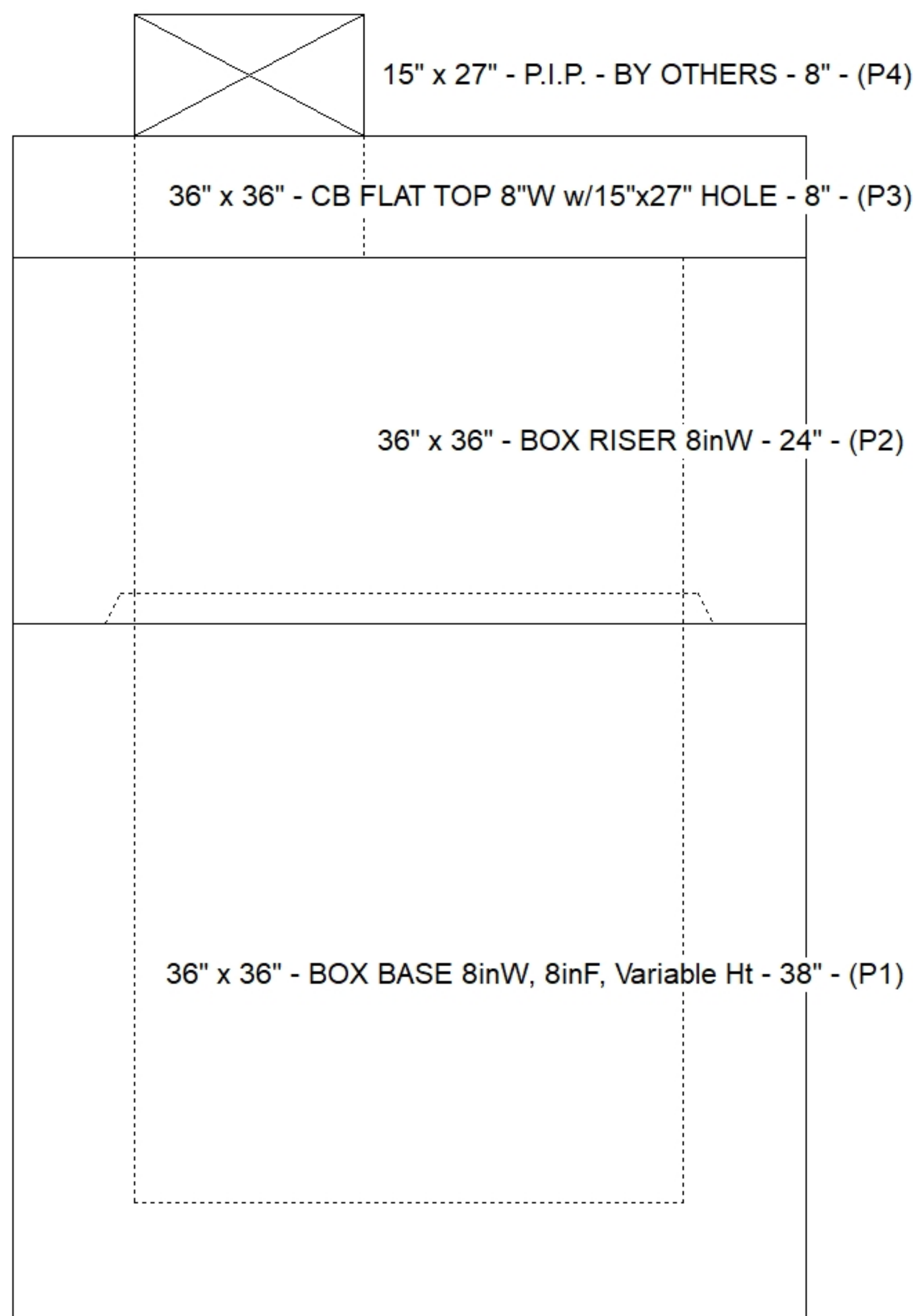
- (1) JBS 3413 F&G's (BY CONTR)
- \*\*KYTC STATE PROJECT\*\*
- 1. HOE KY-230-G F/G (GRADE) PROVIDED BY ICAST.
- 2. KYTC DBI TYPE 13G / ASTM C-913 SPEC'S.
- 3. CONCRETE = 4,000 PSI AT 28 DAYS.
- 4. REINFORCING PER ASTM A615 (GRADE 60).
  - TOP SLAB (As .62) #5 BARS AT 6" C.C.E.W.
  - RISER/WALLS (As .31) #5 BARS AT 12" C.C.E.W..
  - FLOOR (As .31) #5 BARS AT 12" C.C.E.W.
- 5. STUB #5 BARS 12" OUT OF THE TOP OF THE SLAB (SPACED AT 12" C.C.).

**STRUCTURE SUMMARY:**

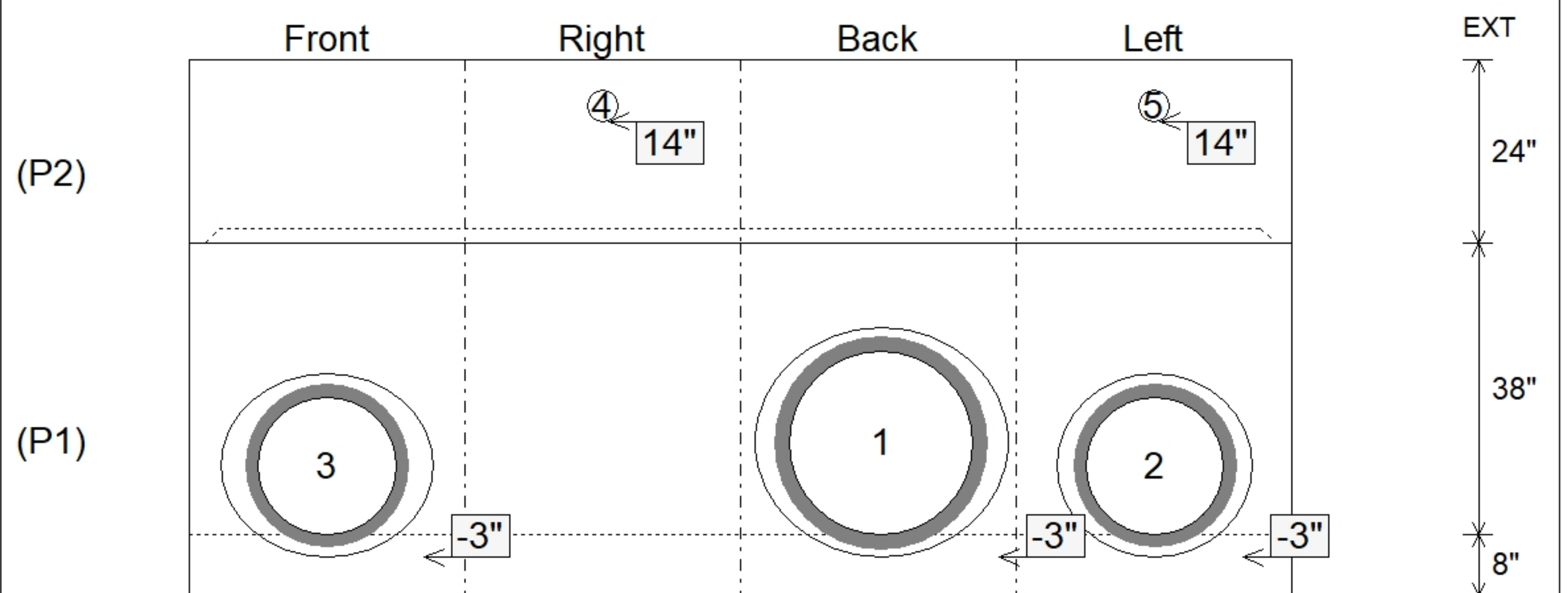
P4) 15" x 27" - P.I.P. - BY OTHERS - 8"	0 lb
P3) 36" x 36" - CB FLAT TOP 8"W w/15"x27" HOLE - 8"	1543 lb
P2) 36" x 36" - BOX RISER 8inW - 24"	2819 lb
P1) 36" x 36" - BOX BASE 8inW, 8inF, Variable Ht - 38"	5107 lb
1) CASTING - HOE KY-230-G F/G (GRADE)	237 lb
2) 36" x 36" - Conseal CS-102 1.00"	0 lb
1) 15" x 27" - Conseal CS-102 1.00"	0 lb
1) Hole - 30	0 lb
2) Hole - 24	0 lb
2) Hole - 4	0 lb
<b>Structure Total:</b>	<b>9706 lb</b>



Position	Elev	Angle	Pipe	Pipe OD	Hole	Connector	Up (")	Ref
Rim	450.54'							
Reducer								
Invert 1	443.87'	155°	24" HDPE	27.8"	30"	Hole 30	-3"	P1
Invert 2	443.87'	290°	18" HDPE	21.2"	24"	Hole 24	-3"	P1
Invert 3	443.87'	30°	18" HDPE	21.2"	24"	Hole 24	-3"	P1
Invert 4	448.37'	90°	4" WEEP HOLE	4"	4"	Hole 4	14"	P2
Invert 5	448.37'	270°	4" WEEP HOLE	4"	4"	Hole 4	14"	P2
Invert 6								
Invert 7								
Invert 8								



**Default - Interior Dimensions**



Submittal Drawing  
 3/13/2026 1:44:19 PM

SUBMITTAL  
 APPROVED BY: