

Job Name: 25-4430 KYTC Daviess Co Call 104 (2511035)  
 Job Location: Owensboro, KY  
 Contractor: Ragle, Inc.

Plant: 100

3/11/2026 2:14:39 PM

Tech: Jared - A

PC: Andy Chambers



**Structure ID: 4940 (20)**

**P3 BX036036-08LD08-15X27**

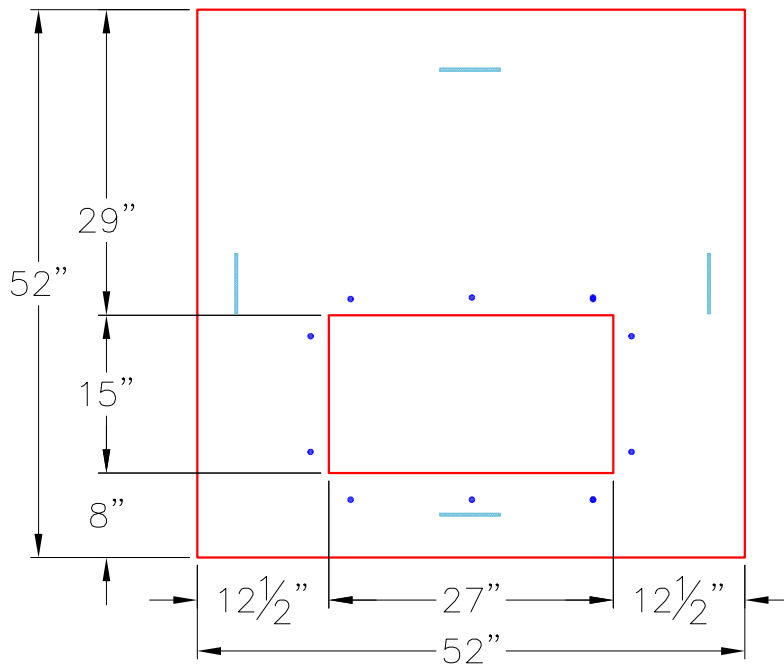
**CB FLAT TOP 8"W w/15"x27" HOLE**

- P4) 15" x 27" - P.I.P. - BY OTHERS - 8"
- P3) 36" x 36" - CB FLAT TOP 8"W w/15"x27" HOLE - 8"
- P2) 36" x 36" - BOX RISER 8inW - 24"
- P1) 36" x 36" - BOX BASE 8inW, 8inF, Variable Ht - 38"
- 1) CASTING - HOE KY-230-G F/G (GRADE)
- 2) 36" x 36" - Conseal CS-102 1.00"
- 1) 15" x 27" - Conseal CS-102 1.00"
- 1) Hole - 30
- 2) Hole - 24
- 2) Hole - 4

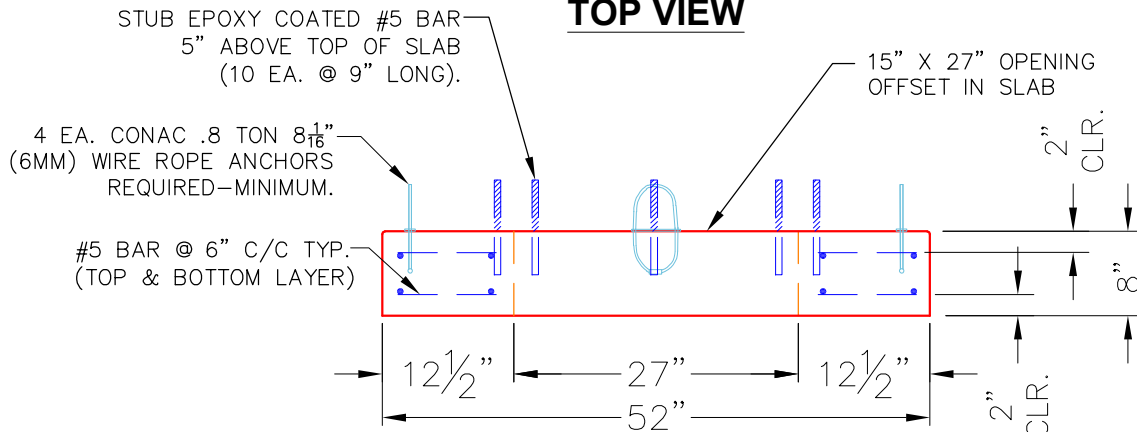
0 lb  
 1543 lb  
 2819 lb  
 5107 lb  
 237 lb  
 0 lb  
 0 lb  
 0 lb  
 0 lb  
 0 lb  
 0 lb  
 Structure Total: 9706 lb

**Structure Notes:**

- (1) JBS 3413 F&G's (BY CONTR)
- \*\*KYTC STATE PROJECT\*\*
- 1. HOE KY-230-G F/G (GRADE) PROVIDED BY ICAST.
- 2. KYTC DBI TYPE 13G / ASTM C-913 SPEC'S.
- 3. CONCRETE = 4,000 PSI AT 28 DAYS.
- 4. REINFORCING PER ASTM A615 (GRADE 60).  
 - TOP SLAB (As .62) #5 BARS AT 6" C.C.E.W.  
 - RISER/WALLS (As .31) #5 BARS AT 12" C.C.E.W..  
 - FLOOR (As .31) #5 BARS AT 12" C.C.E.W.
- 5. STUB #5 BARS 12" OUT OF THE TOP OF THE SLAB (SPACED AT 12" C.C.).



**TOP VIEW**



**FRONT VIEW**

**NOTES:**

- CONCRETE: 4500 PSI @ 28 DAYS.
- MANUFACTURED TO KYTC & ASTM C-913 SPECIFICATIONS.
- REINFORCING: #5 BAR AS SHOWN-GRADE 60. (T&B LAYER)
- 4 EA. CONAC WIRE LOOP LIFTS REQUIRED (MIN.)

Coating (Int):  
 Coating (Ext):

Seam Up: Flat  
 Seam Dn: Flat

Wall Thickness: 8"

Height (Ext): 8"

Weight (Net): 1543 lb  
 Volume (Net): 0.39cu.yd