

Job Name: 25-4430 KYTC Daviess Co Call 104 (2511035)
 Job Location: Owensboro, KY
 Contractor: Ragle, Inc.

Plant: 100
 3/11/2026 2:13:55 PM

Tech: Jared - A
 PC: Andy Chambers



Structure ID: 4831 (28)

P1 MH048BA48

MH BASE

- P4) 24" - CASTING HEIGHT - 8"
- P3) 48" - MH FLAT LID w/24in ECC Hole - 12"
- P2) 48" - MH RISER - 36"
- P1) 48" - MH BASE - 48"
- 1) CASTING - HOE KY-510 F/C (KY TY.2)
- 2) 48" - Conseal CS-102 1.00"
- 2) Hole - 30
- 2) Hole - 24
- 7) MH Step ML-10-TDS-NCR - 10"

0 lb
 1561 lb
 2515 lb
 3648 lb
 510 lb
 0 lb
 0 lb
 0 lb
 0 lb
 0 lb
 Structure Total: 8234 lb

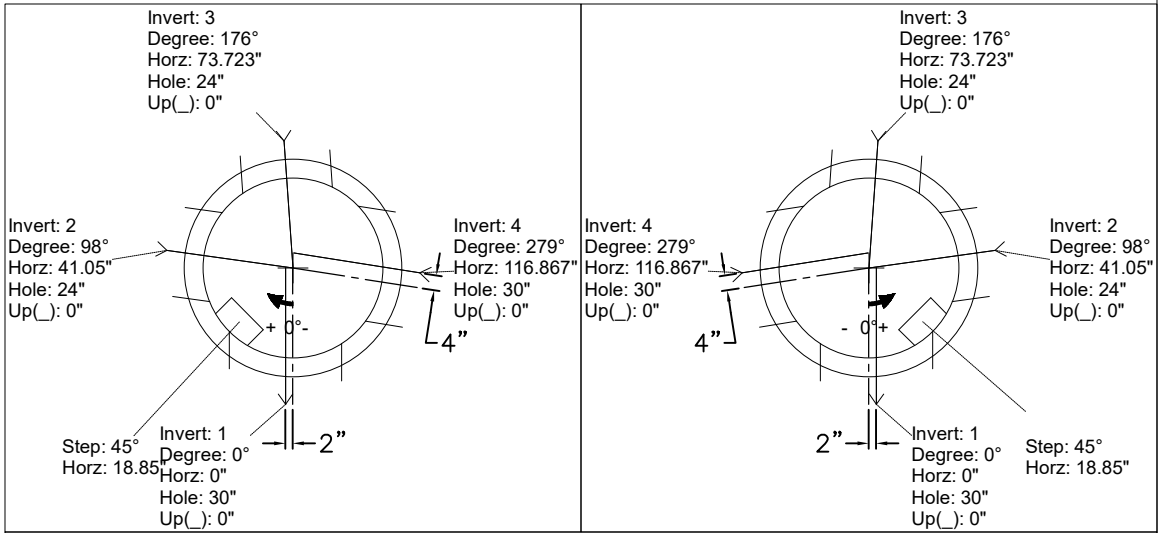
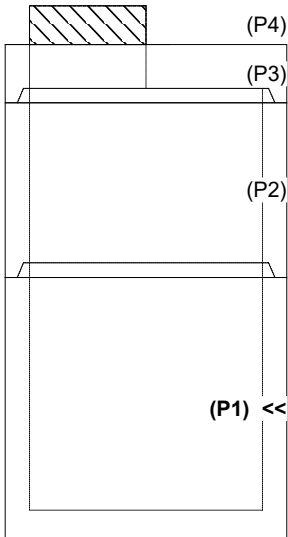
Structure Notes:
 KYTC STATE PROJECT
 1. HOE KY-510 F/C (KY TY2) PROVIDED BY ICAST.
 2. PER KYTC MH A / ASTM C478 SPEC'S.
 3. CONCRETE = 4,000 PSI AT 28 DAYS.
 4. REINFORCING PER ASTM A615 (GRADE 60.)
 - TOP SLAB (As .62) #5 BARS AT 6" C.C.E.W.
 - RISER/WALLS (As .12)
 - FLOOR (As .31) #5 BARS AT 12" C.C.E.W.

Rim: 452' Rim to Invert: 8.63' Slack: 2.56" Sump: 3" Step Position: 0°

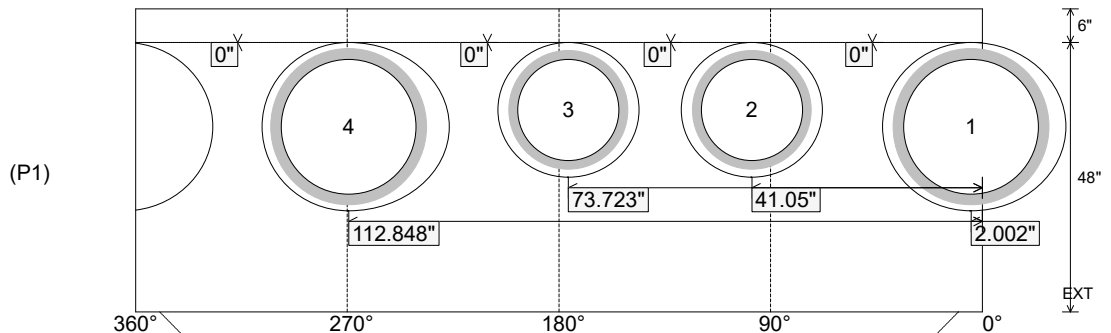
Position	Elev	Angle	Ext. (cw)	Pipe	Pipe OD	Connector	Hole	Horz Size	Up ()	Offset
Invert 1	443.37'	0°	2.002"	24" HDPE	27.8"	Hole 30	30"	32.629"	0"	2"
Invert 2	443.37'	98°	49.602"	18" HDPE	21.2"	Hole 24	24"	25.133"	0"	0"
Invert 3	443.37'	176°	89.082"	18" HDPE	21.2"	Hole 24	24"	25.133"	0"	0"
Invert 4	443.37'	279°	137.202"	24" HDPE	27.8"	Hole 30	30"	33.352"	0"	-4"
Invert 5										
Invert 6										
Invert 7										
Invert 8										

RIGHT-SIDE UP VIEW (int. dimensions)

UPSIDE-DOWN VIEW (int. dimensions)



INSIDE WALL DIMENSIONS



Coating (Int):
 Coating (Ext):

Seam Up: Tongue
 Seam Dn: n/a

Wall Thickness: 5"
 Floor Height: 6"

Height (Int): 48"
 Height (Ext): 54"

Weight (Net): 3648 lb
 Volume (Net): 0.93cu.yd