

Job Name: 25-4430 KYTC Daviess Co Call 104 (2511035)  
 Job Location: Owensboro, KY  
 Contractor: Ragle, Inc.

Plant: 100  
 3/11/2026 2:13:35 PM

Tech: Jared - A  
 PC: Andy Chambers



**Structure ID: 4652R (4)**

**P1 BX2436-08BVF**

**BOX BASE 8inW, 8inF, Variable Ht**

- P3) 24" x 120" - CB INLET KY A 10' TOP RIGHT - 10"
- P2) 24" x 120" - CB INLET KY A 10' BOTTOM RIGHT - 18"
- P1) 24" x 36" - BOX BASE 8inW, 8inF, Variable Ht - 36"
- 1) CASTING - HOE KY-206 F/C (KY TY1)
- 1) 24" x 36" - Conseal CS-102 1.00"
- 2) Hole - 24
- 1) Hole - 4

- Structure Notes:**  
 \*\* KYTC STATE PROJECT \*\*  
 1. HOE KY-206 F/C (KY TY1) PROVIDED BY ICAST.  
 2. PER KYTC CBI TYPE A / ASTM C913 SPEC'S.  
 3. CONCRETE = 4,000 PI AT 28 DAYS.  
 4. NO INVERT CHANNEL.  
 5. REINFORCING PER ASTM A615 (GRADE 60).  
 - TOP PHASE (As .62) #5 BARS AT 6" C.C.E.W.  
 - WALLS (As .31) #5 BARS AT 12" C.C.E.W.  
 - FLOOR (As .31) #5 BARS AT 12" C.C.E.W.  
 6. THE LISTED RIM ELEVATION IS THE GIVEN FLOWLINE ELEVATION +8".

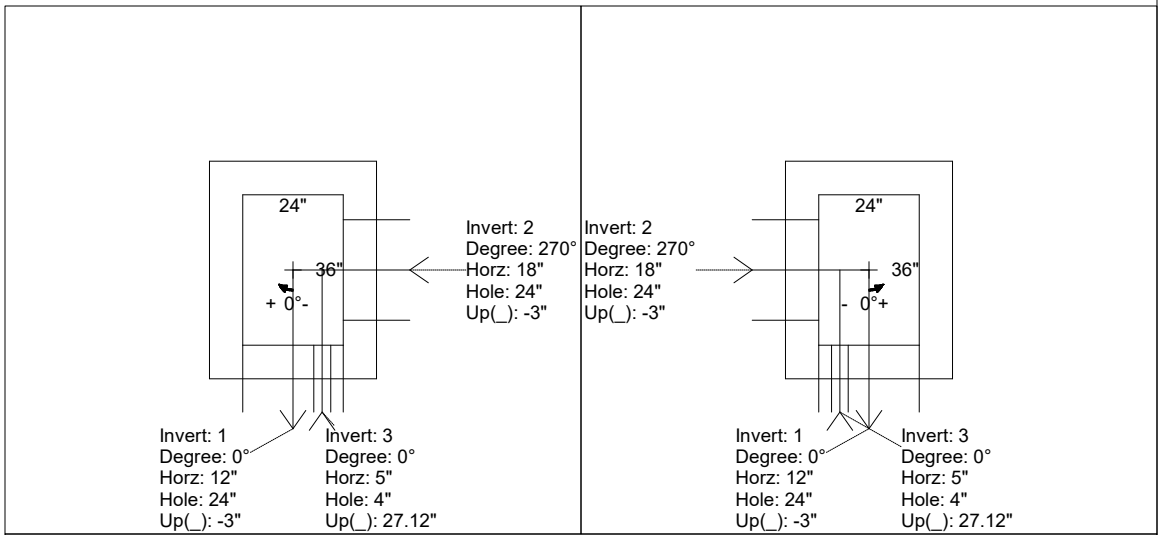
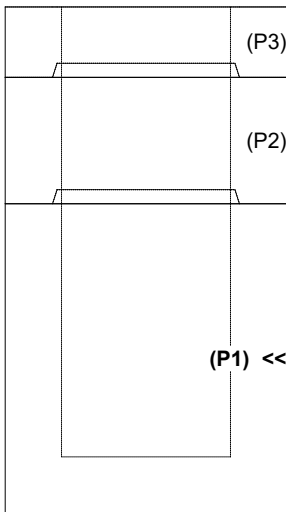
Structure Total: 13404 lb

Rim: 451.1' Rim to Invert: 5.46' Slack: 1.52" Sump: 0" Step Position:

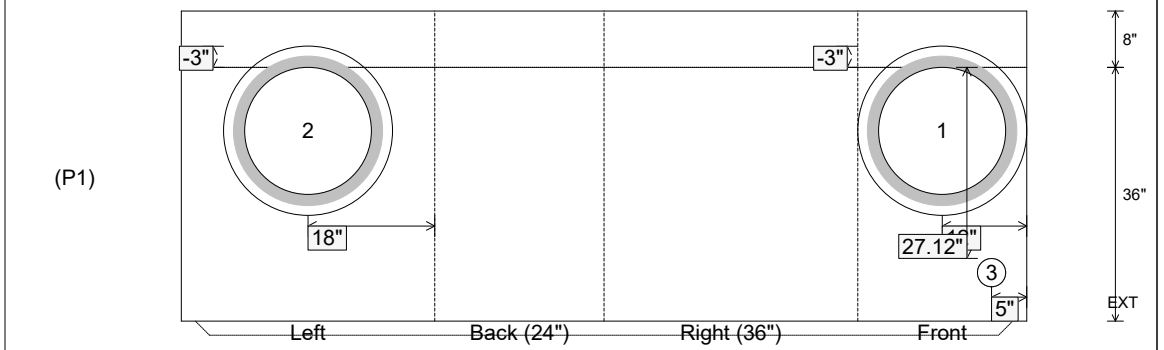
Position	Elev	Angle	Ext. (cw)	Pipe	Pipe OD	Connector	Hole	Horz Size	Up ( )	Offset
Invert 1	445.64'	0°	20"	18" HDPE	21.2"	Hole 24	24"	24"	-3"	0"
Invert 2	445.64'	270°	26"	18" HDPE	21.2"	Hole 24	24"	24"	-3"	0"
Invert 3	447.9'	0°	13"	4" WEEP HOLE	4"	Hole 4	4"	4"	27.12"	-7"
Invert 4										
Invert 5										
Invert 6										
Invert 7										
Invert 8										

RIGHT-SIDE UP VIEW (int. dimensions)

UPSIDE-DOWN VIEW (int. dimensions)



INSIDE WALL DIMENSIONS



Coating (Int): Coating (Ext):	Seam Up: Tongue Seam Dn: n/a	Wall Thickness: 8" Floor Height: 8"	Height (Int): 36" Height (Ext): 44"	Weight (Net): 4530 lb Volume (Net): 1.16cu.yd
----------------------------------	---------------------------------	--	--	--