

Job Name: 25-4429 - KYTC Carter Co Call 102 (251120)

Job Location: Grayson, KY 41143

Contractor: Allard Excavation, LLC.

PC: Trevor Lewis

TECH: J. Horsley - A

Plant: Beaver Dam, KY



Structure ID: DB5(16)

Spec: KYTC

Type: DBI TYPE 14

Size: 24" x 24"

Rim: 632.5'

Invert: 630'

Rim to Invert: 2.5'

Sump: 0"

Floor (Top): 630'

Floor Height: 8"

Floor (Bot): 629.333'

Overall Height: 3.167'

Slack: 0"

Structure Notes:

** KYTC STATE PROJECT**

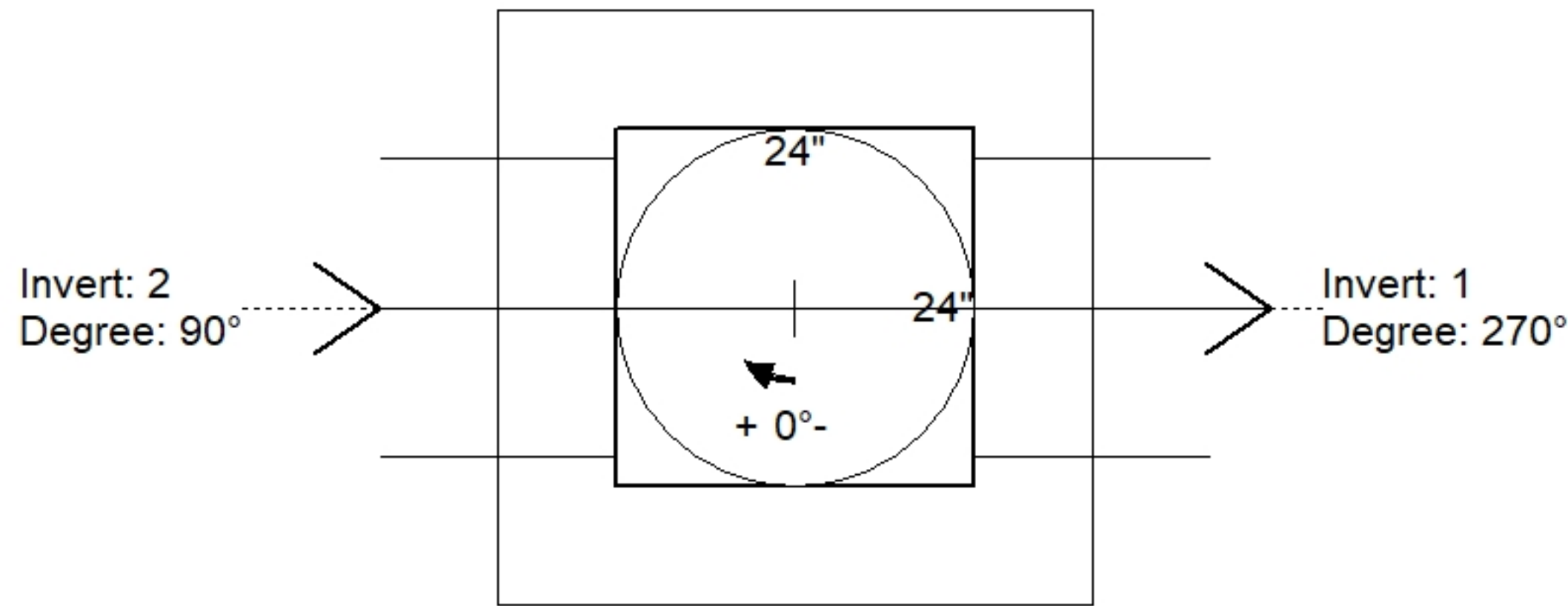
PLAN LABEL: DBI TY 14 STA. 65+00

1. HOE KY-210 F/G (DBI 14) PROVIDED BY ICAST.
2. KYTC DBI TYPE 14 / ASTM C913 SPECIFICATIONS
3. CONCRETE = 4,000 PSI AT 28 DAYS.
4. NO INVERT CHANNEL.
5. DBI-14 F/G CAST INTO TOP SLAB (HOE KY-210 F/G).
6. REINFORCING PER ASTM A615 (GRADE 60).
 - TOP SLAB (As .62) #5 BARS AT 6" C.C.E.W.
 - WALLS (As .31) #5 BARS AT 12" C.C.E.W.
 - FLOOR (As .31) #5 BARS AT 12" C.C.E.W.

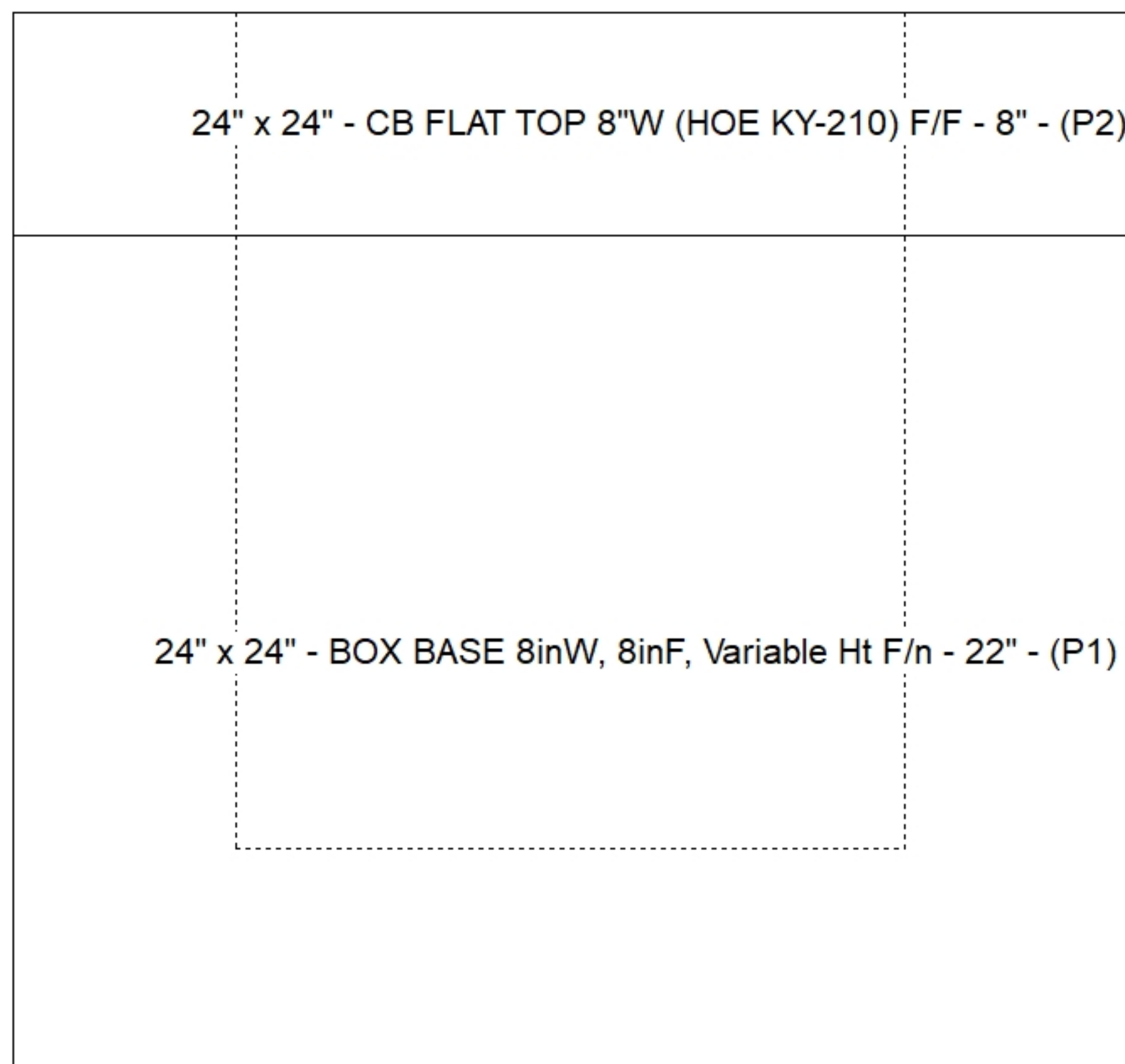
STRUCTURE SUMMARY:

P2) 24" x 24" - CB FLAT TOP 8"W (HOE KY-210) F/F - 8"	770 lb
P1) 24" x 24" - BOX BASE 8inW, 8inF, Variable Ht F/n - 22"	2543 lb
1) CASTING - HOE KY-210 F/G (DBI 14)	178 lb
1) 24" x 24" - Conseal CS-102 1.00"	0 lb
2) Hole - 20	0 lb

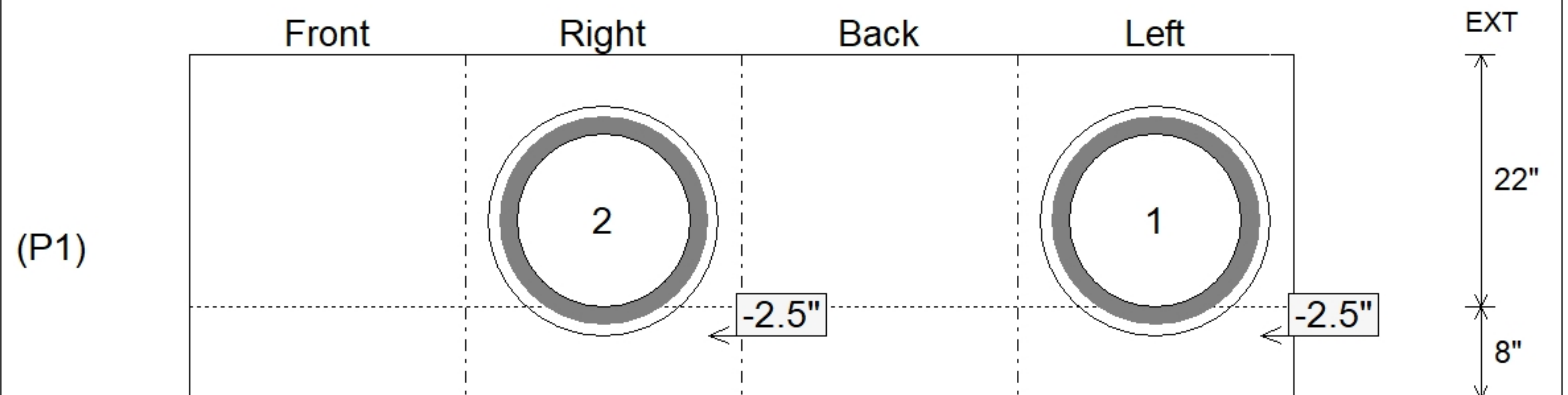
Structure Total:	3491 lb



Position	Elev	Angle	Pipe	Pipe OD	Hole	Connector	Up ()	Ref
Rim	632.5'							
Reducer								
Invert 1	630'	270°	15" ADS N-12	18"	20"	Hole 20	-2.5"	P1
Invert 2	630'	90°	15" ADS N-12	18"	20"	Hole 20	-2.5"	P1
Invert 3								
Invert 4								
Invert 5								
Invert 6								
Invert 7								
Invert 8								



Cast (Int. Dim.) - Interior Dimensions



Submittal Drawing
2/2/2026 9:42:52 AM

SUBMITTAL
APPROVED BY: