

**Job Name: 25-4429 - KYTC Carter Co Call 102 (251120)**

**Job Location: Grayson, KY 41143**

**Contractor: Allard Excavation, LLC.**

PC: Trevor Lewis

TECH: J. Horsley - A

Plant: Beaver Dam, KY



Structure ID: **DB4(15)**

Spec: KYTC

Type: DBI TYPE 14

Size: 24" x 24"

Rim: 643.25'

Invert: 640.75'

Rim to Invert: 2.5'

Sump: 0"

Floor (Top): 640.75'

Floor Height: 8"

Floor (Bot): 640.083'

Overall Height: 3.167'

Slack: 0"

Structure Notes:

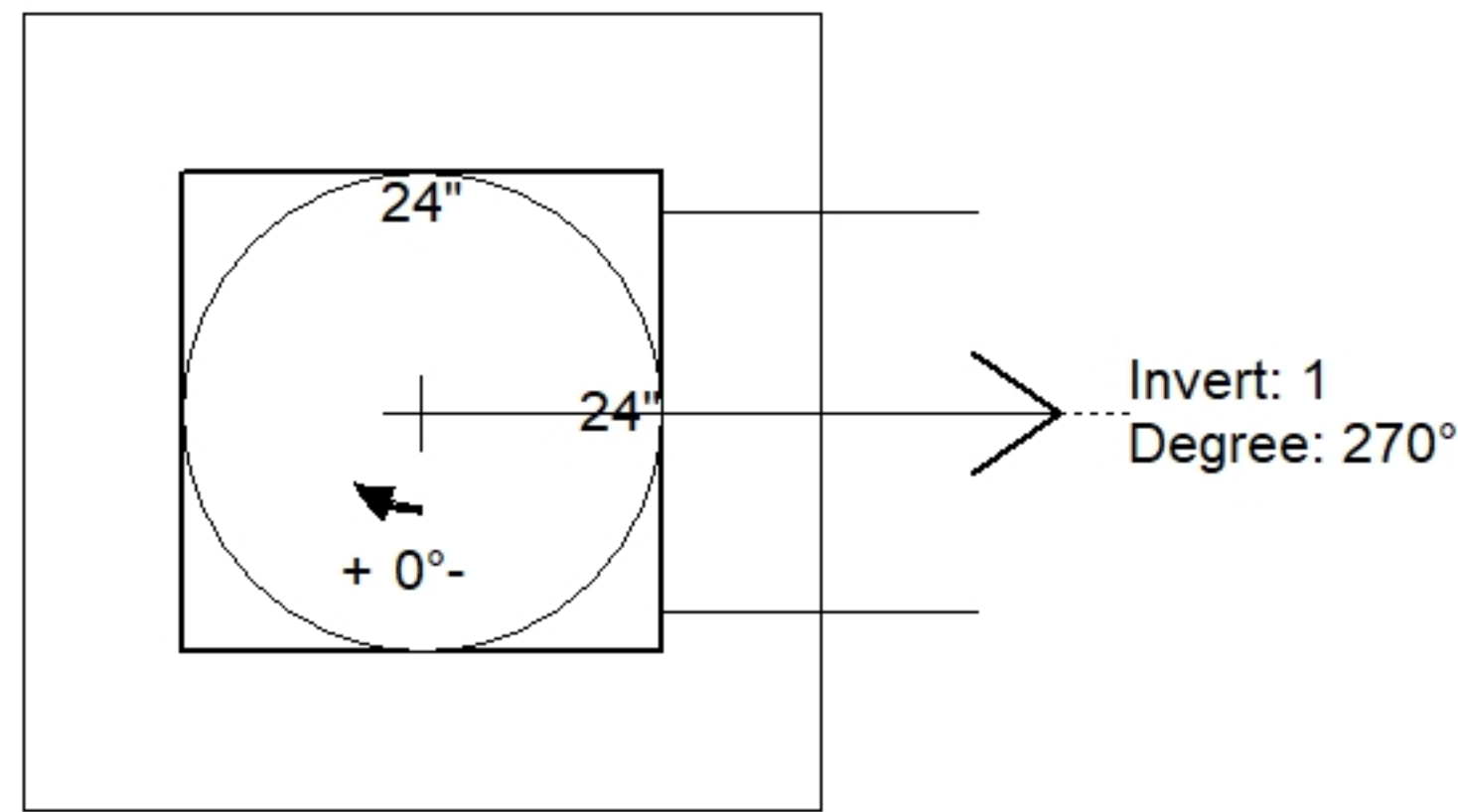
\*\* KYTC STATE PROJECT\*\*

PLAN LABEL: DBI TY 14 STA. 63+34

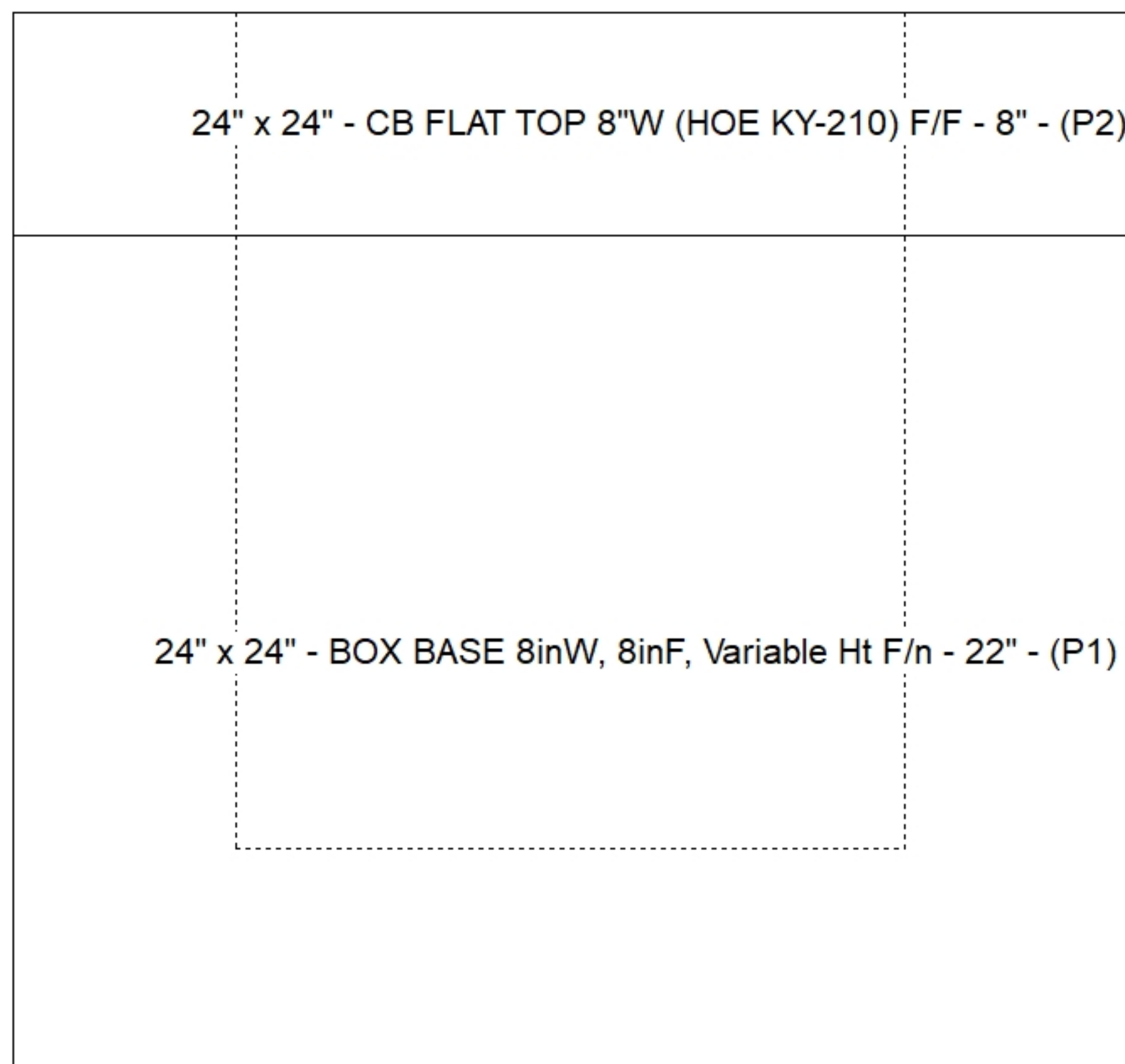
1. HOE KY-210 F/G (DBI 14) PROVIDED BY ICAST.
2. KYTC DBI TYPE 14 / ASTM C913 SPECIFICATIONS
3. CONCRETE = 4,000 PSI AT 28 DAYS.
4. NO INVERT CHANNEL.
5. DBI-14 F/G CAST INTO TOP SLAB (HOE KY-210 F/G).
6. REINFORCING PER ASTM A615 (GRADE 60).
  - TOP SLAB (As .62) #5 BARS AT 6" C.C.E.W.
  - WALLS (As .31) #5 BARS AT 12" C.C.E.W.
  - FLOOR (As .31) #5 BARS AT 12" C.C.E.W.

STRUCTURE SUMMARY:

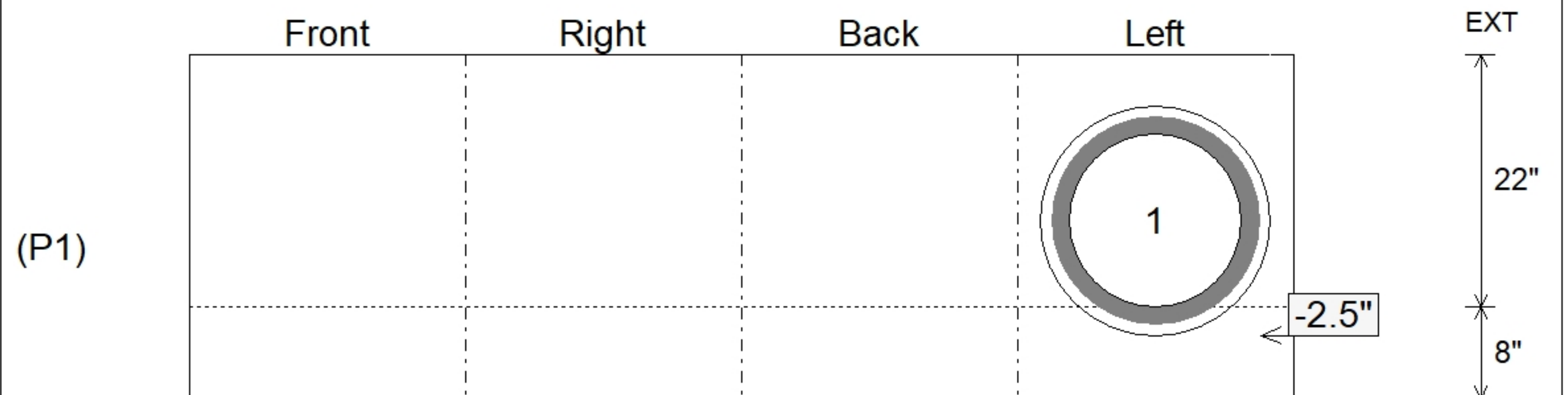
|  |         |
|--|---------|
| P2) 24" x 24" - CB FLAT TOP 8"W (HOE KY-210) F/F - 8"      | 770 lb  |
| P1) 24" x 24" - BOX BASE 8inW, 8inF, Variable Ht F/n - 22" | 2754 lb |
| 1) CASTING - HOE KY-210 F/G (DBI 14)                       | 178 lb  |
| 1) 24" x 24" - Conseal CS-102 1.00"                        | 0 lb    |
| 1) Hole - 20   | 0 lb    |
|  | -----   |
| Structure Total:   | 3702 lb |



| Position | Elev    | Angle | Pipe         | Pipe OD | Hole | Connector | Up ( ) | Ref |
|----------|---------|-------|--------------|---------|------|-----------|--------|-----|
| Rim      | 643.25' |       |              |         |      |           |        |     |
| Reducer  |         |       |              |         |      |           |        |     |
| Invert 1 | 640.75' | 270°  | 15" ADS N-12 | 18"     | 20"  | Hole 20   | -2.5"  | P1  |
| Invert 2 |         |       |              |         |      |           |        |     |
| Invert 3 |         |       |              |         |      |           |        |     |
| Invert 4 |         |       |              |         |      |           |        |     |
| Invert 5 |         |       |              |         |      |           |        |     |
| Invert 6 |         |       |              |         |      |           |        |     |
| Invert 7 |         |       |              |         |      |           |        |     |
| Invert 8 |         |       |              |         |      |           |        |     |



**Cast (Int. Dim.) - Interior Dimensions**



Submittal Drawing  
2/2/2026 9:42:52 AM

SUBMITTAL  
APPROVED BY: