

**Job Name: 25-4429 - KYTC Carter Co Call 102 (251120)**

**Job Location: Grayson, KY 41143**

**Contractor: Allard Excavation, LLC.**

PC: Trevor Lewis

TECH: J. Horsley - A

Plant: Beaver Dam, KY



Structure ID: DB3 (13)

Spec: KYTC

Type: DBI TYPE 13G

Size: 36" x 36"

Rim: 648.55'

Invert: 644.64'

Rim to Invert: 3.91'

Sump: 0"

Floor (Top): 644.64'

Floor Height: 8"

Floor (Bot): 643.973'

Overall Height: 4.5'

Slack: 0.92"

**Structure Notes:**

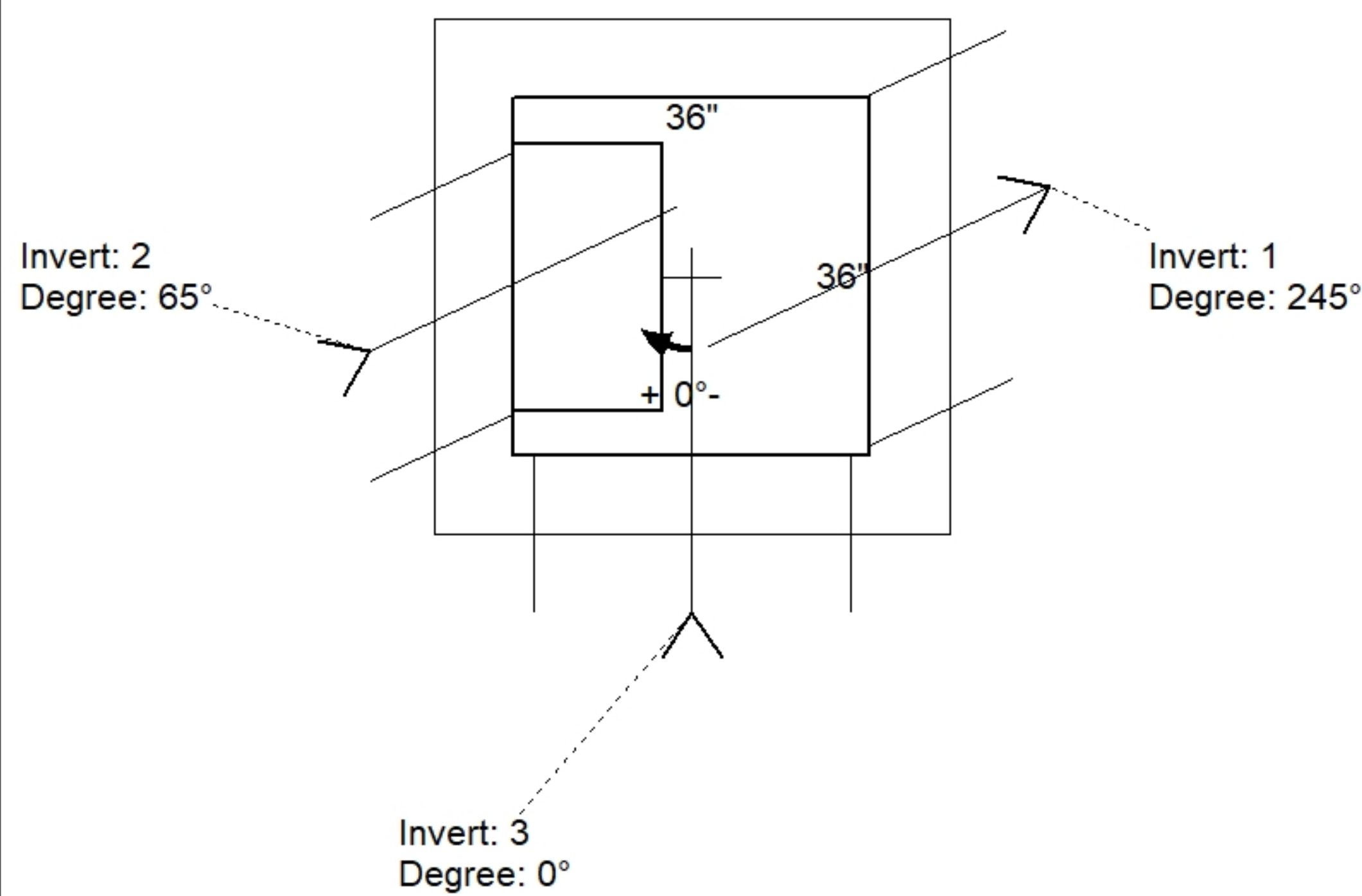
\*\*KYTC STATE PROJECT\*\*

PLAN LABEL: DBI TY 13

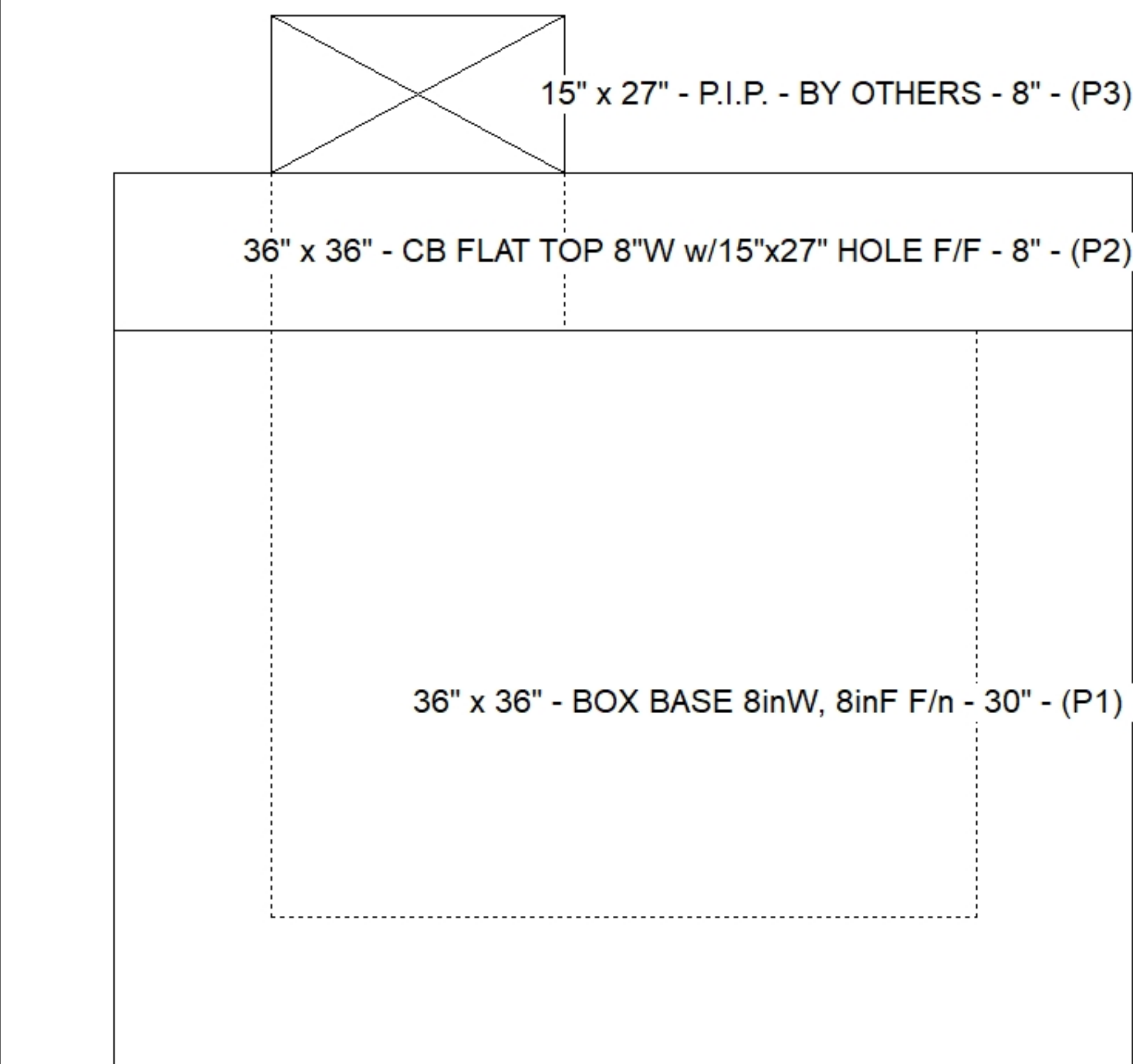
1. HOE KY-230-G F/G (GRADE) PROVIDED BY ICAST.
2. KYTC DBI TYPE 13G / ASTM C-913 SPEC'S.
3. CONCRETE = 4,000 PSI AT 28 DAYS.
4. NO INVERT CHANNEL.
5. REINFORCING PER ASTM A615 (GRADE 60).
  - TOP SLAB (As .62) #5 BARS AT 6" C.C.E.W. (DBL MAT.)
  - WALLS (As .31) #5 BARS AT 12" C.C.E.W..
  - FLOOR (As .31) #5 BARS AT 12" C.C.E.W.
6. STUB #5 BARS UP 6" AROUND OPENING IN TOP SLAB (SPA@12"C/C) OR IN TOP OF 15"X27" RISER

**STRUCTURE SUMMARY:**

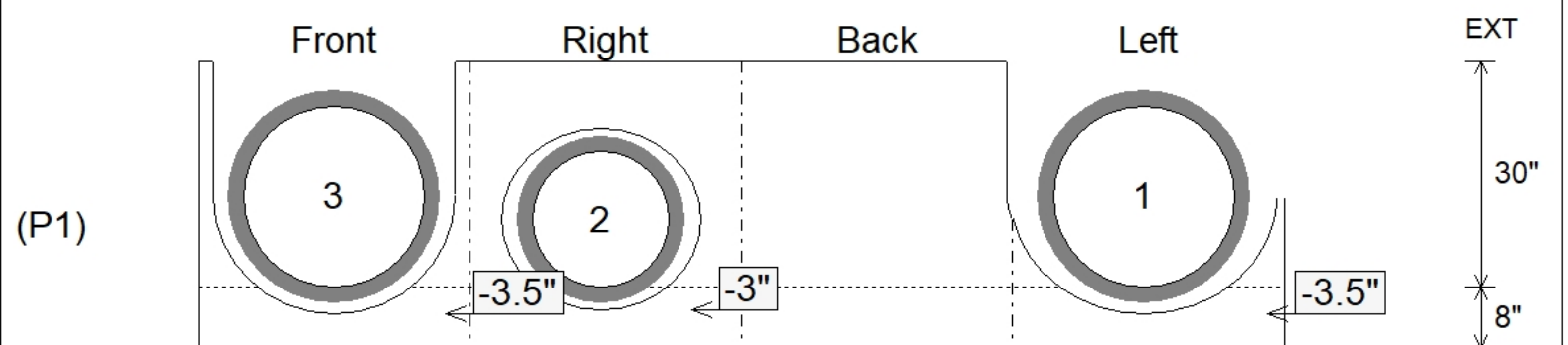
|   |                |
|---|----------------|
| P3) 15" x 27" - P.I.P. - BY OTHERS - 8"                 | 0 lb           |
| P2) 36" x 36" - CB FLAT TOP 8"W w/15"x27" HOLE F/F - 8" | 1543 lb        |
| P1) 36" x 36" - BOX BASE 8inW, 8inF F/n - 30"           | 3657 lb        |
| 1) CASTING - HOE KY-230-G F/G (GRADE)                   | 237 lb         |
| 1) 36" x 36" - Conseal CS-102 1.00"                     | 0 lb           |
| 1) 15" x 27" - Conseal CS-102 1.00"                     | 0 lb           |
| 2) DOGHOUSE INVRTD - 32"x31"                            | 0 lb           |
| 1) Hole - 24  | 0 lb           |
| <b>Structure Total:</b>                                 | <b>5438 lb</b> |



| Position | Elev    | Angle | Pipe         | Pipe OD | Hole      | Connector               | Up ( ) | Ref |
|----------|---------|-------|--------------|---------|-----------|-------------------------|--------|-----|
| Rim      | 648.55' |       |              |         |           |                         |        |     |
| Reducer  |         |       |              |         |           |                         |        |     |
| Invert 1 | 644.64' | 245°  | 24" ADS N-12 | 28"     | 32" x 31" | DOGHOUSE INVRTD 32"x31" | -3.5"  | P1  |
| Invert 2 | 644.64' | 65°   | 18" ADS N-12 | 22"     | 24"       | Hole 24                 | -3"    | P1  |
| Invert 3 | 644.64' | 0°    | 24" ADS N-12 | 28"     | 32" x 31" | DOGHOUSE INVRTD 32"x31" | -3.5"  | P1  |
| Invert 4 |         |       |              |         |           |                         |        |     |
| Invert 5 |         |       |              |         |           |                         |        |     |
| Invert 6 |         |       |              |         |           |                         |        |     |
| Invert 7 |         |       |              |         |           |                         |        |     |
| Invert 8 |         |       |              |         |           |                         |        |     |



**Cast (Int. Dim.) - Interior Dimensions**



Submittal Drawing  
2/2/2026 12:23:51 PM

SUBMITTAL  
APPROVED BY: